
Publication No. IP8679-1

07JUL16

Supersedes IP8679-1

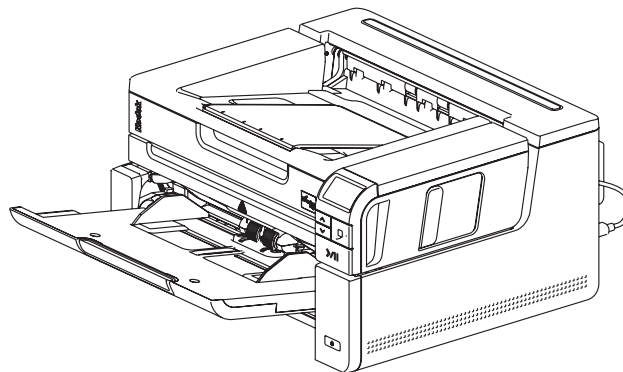
12FEB16

ILLUSTRATED PARTS LIST
for the
Kodak i2900 / i3200 / i3250 / i3300 /
i3400 / i3450 / i3500 SCANNERS
Service Codes: 8679, 8678, 1647, 3037,
8677, 1648, 3215



Important

Qualified service personnel must repair this equipment.



B189_1501AC

PLEASE NOTE

The information contained herein is based on the experience and knowledge relating to the subject matter gained by Kodak Alaris prior to publication. Nothing contained herein shall be construed as conferring by implication, estoppel, or otherwise, any license under any patent, trade secret, trademark or any existing copyright, except as specified herein.

Kodak Alaris reserves the right to change this information without notice, and makes no warranty, express or implied, with respect to this information. Kodak Alaris shall not be liable for any loss or damage, including consequential or special damages, resulting from any use of this information, even if loss or damage is caused by negligence or other fault by Kodak Alaris.



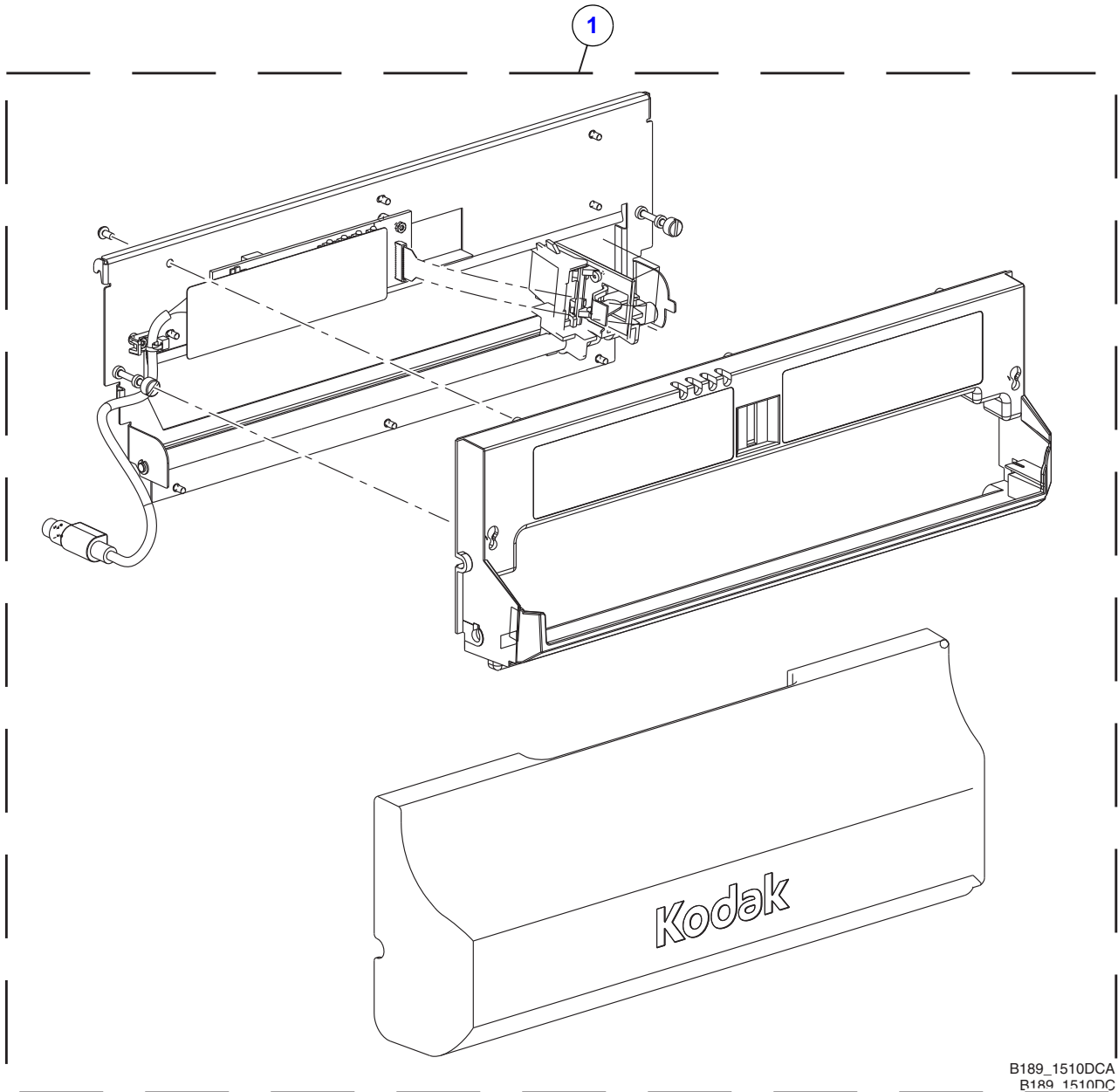
This equipment includes parts and assemblies sensitive to damage from electrostatic discharge. Use caution to prevent damage during all service procedures.

Table of Contents

Description	Page
Illustrated Parts List	3
PRINTER - BACK	3
POD TRANSPORT	4
CABLES and SENSORS	6
TRANSPORT - Lower	8
LOWER ADF - i2900 / i3200 / i3250 / i3300 / i3400 / i3450 SCANNERS	10
LOWER ADF - i3500 SCANNER	12
SCAN MODULES	14
UPPER ADF	15
OUTPUT TRAY	16
INPUT TRAY	18
COVERS	20
OCP AY	22
DIVERTER	24
POD LATCH	25
Numerical Index	27
Alphabetical Index	33
Publication History	39

Section 1: Illustrated Parts List

Figure 1 PRINTER - BACK

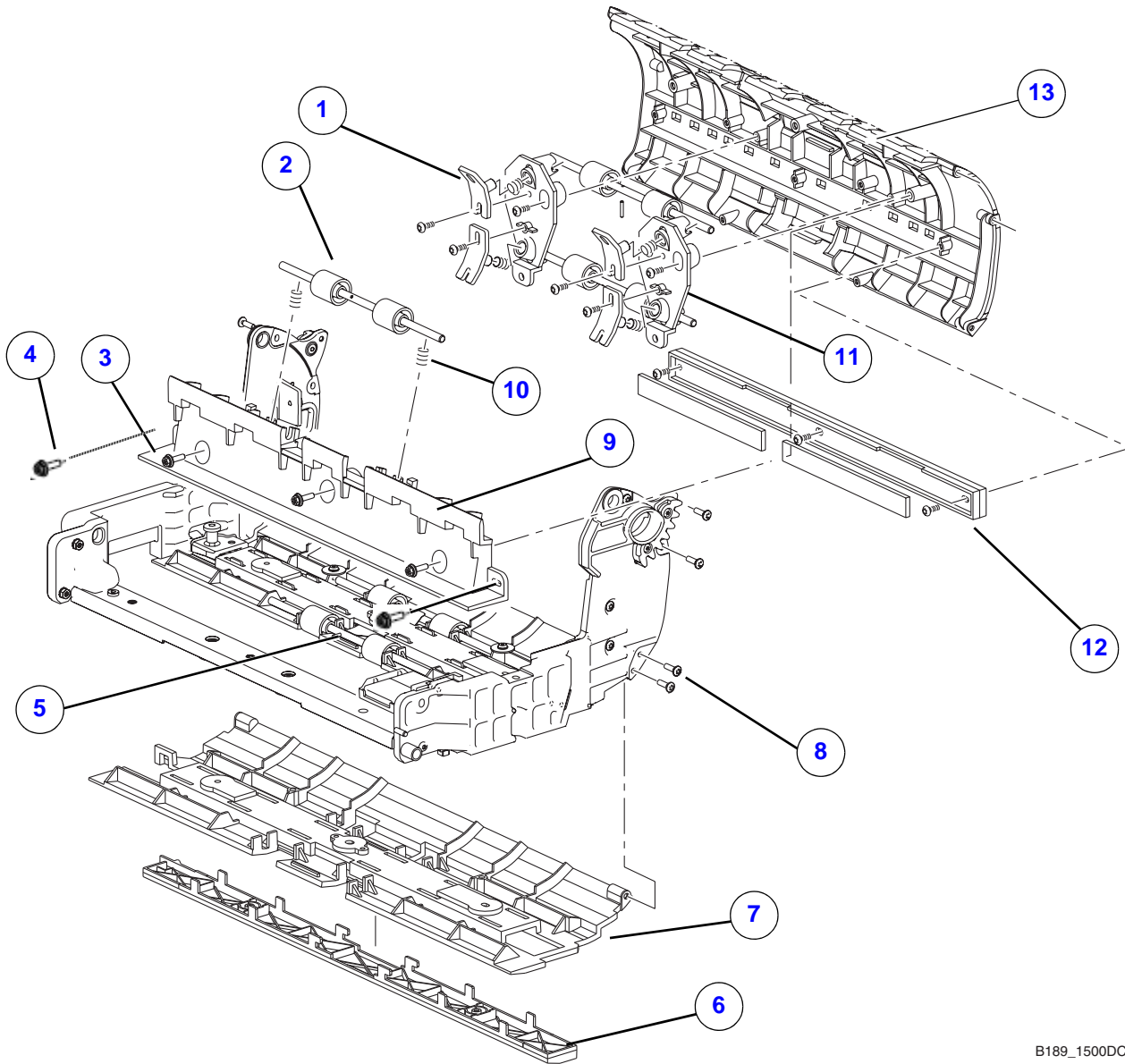


B189_1510DCA
B189_1510DC

Figure 1 PRINTER - BACK

Item	Part No.	Description	Quantity	Notes
1	7J3783	PRINTER ACCESSORY KIT	1	

Figure 2 POD TRANSPORT

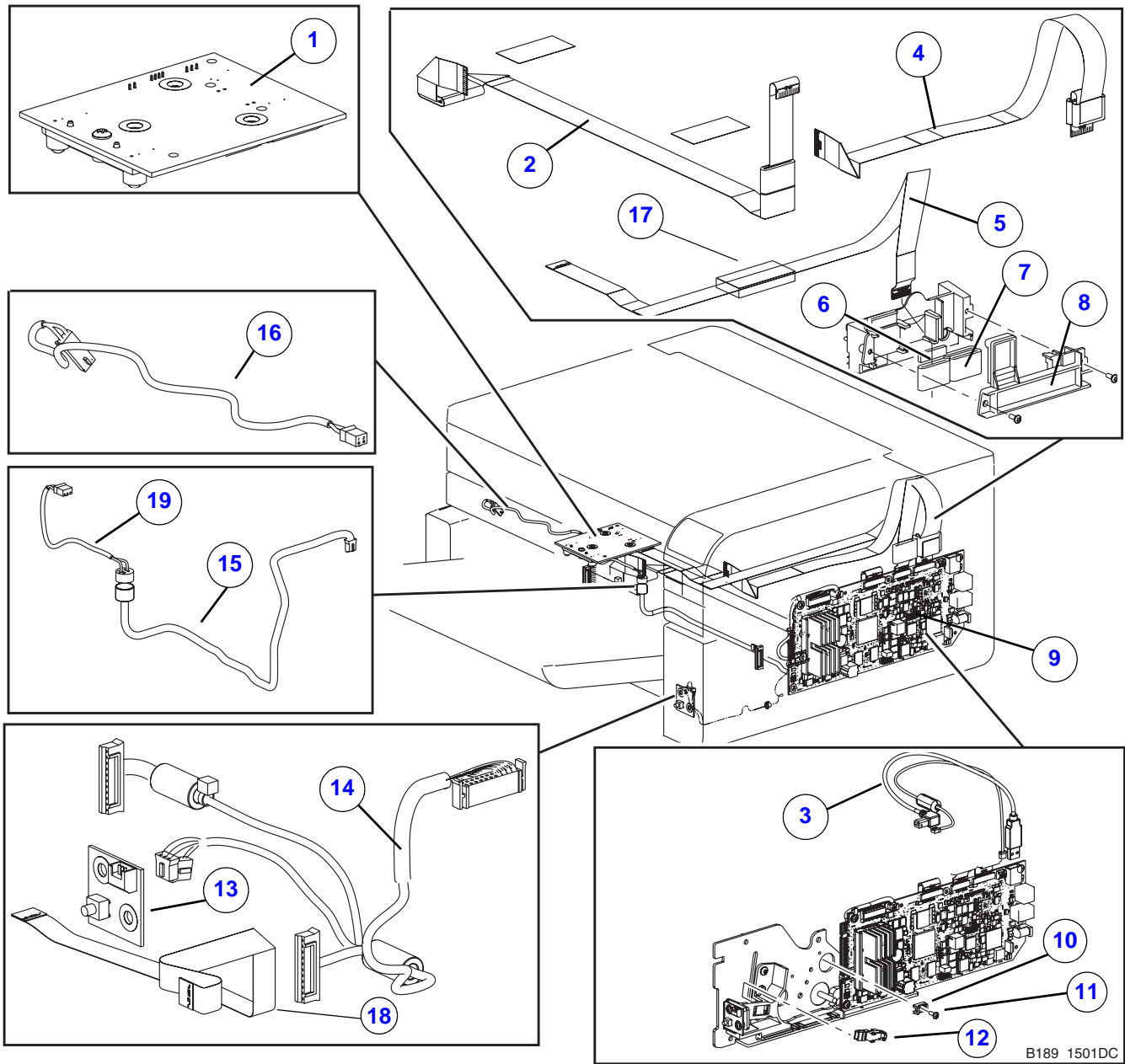


B189_1500DC

Figure 2 POD TRANSPORT

Item	Part No.	Description	Quantity	Notes
1	5K0317	PLUG - spring, i2900 / i3200 / i3300 / i3400 / i3500	4	
	5K1722	PLUG - spring, i3250 / i3450	4	
2	5K0728	ROLLER - force, normal	6	
	5K4956	ROLLER - force, normal, i3500	6	
3	5E4877	SCREW - TF, PT, KA40X12	3	
4	748354	SCREW - sems, hex flange head, torx, M3x12	2	
5	5K0729	SHAFT - force, normal, takeaway	1	
	5K4957	SHAFT - force, normal, takeaway, i3500	1	
6	5K1486	BACKGROUND	1	Customer replaceable
7	7J4006	BAFFLE, pod, transport	1	
8	5K0320	SCREW - TF, PT, KA30X10	8	
9	5K0129	BACKSTOP - exit	1	
10	5K0141	SPRING - NFR	2	
11	SP5K0128	SPRING - retainer, NFR	1	
12	5K0103	BLOTTER AY	1	
13	7J4370	BAFFLE - pod, horizontal transport, i2900 / i3200 / i3300 / i3400 / i3500	1	
	5K1837	BAFFLE - pod, horizontal transport, i3250 / i3450	1	

Figure 3 CABLES and SENSORS

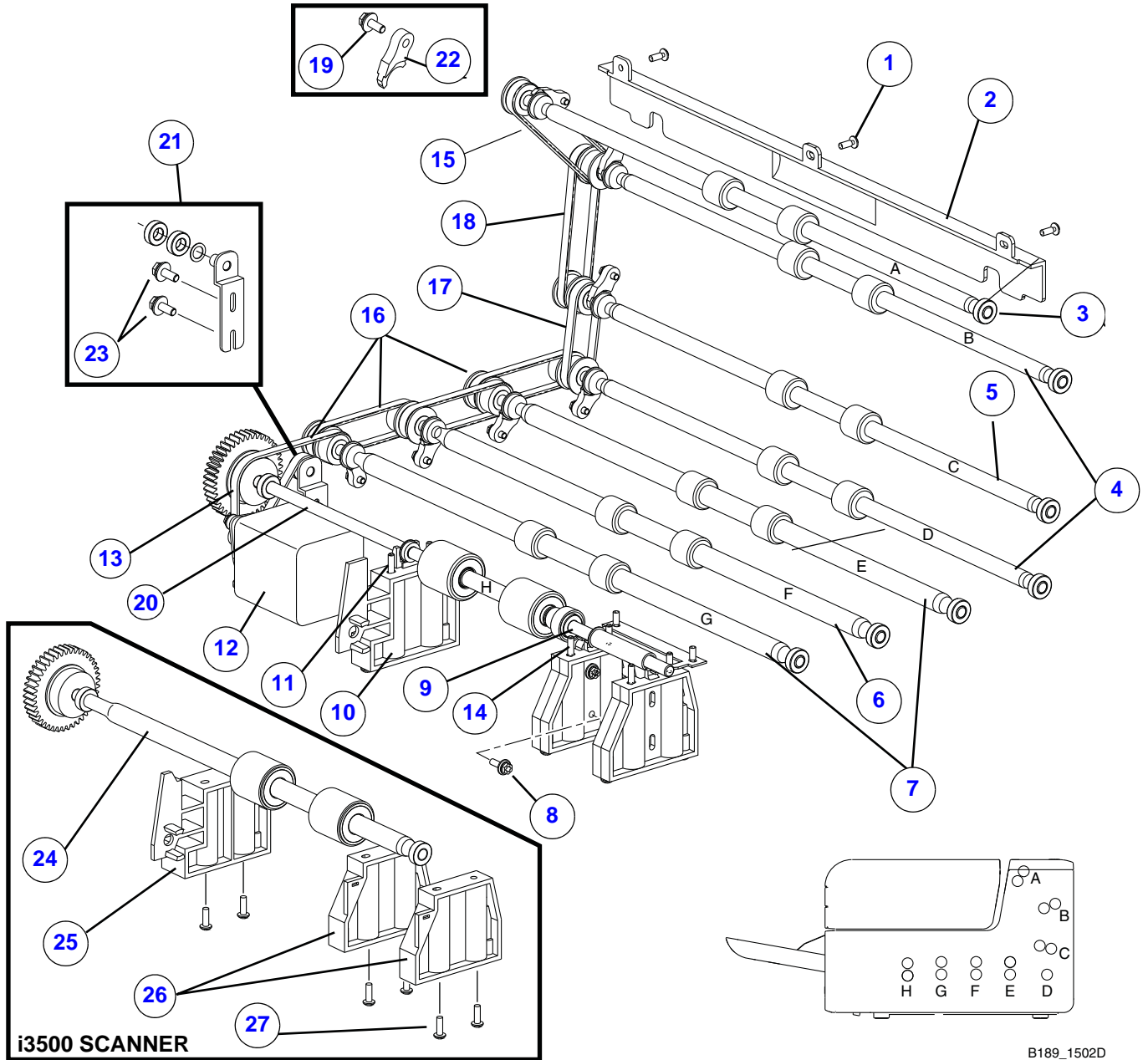


B189 1501DC

Figure 3 CABLES and SENSORS

Item	Part No.	Description	Quantity	Notes
1	5K1099	BOARD AY - sensor interference	1	
2	7J4437	CABLE - FFC, base, rear camera, i2900	1	
	5K0674	CABLE - FFC, base, rear camera, i3000 SERIES	1	
3	7J4443	CABLE - USB, flatbed, hi speed, 2.0, i2900	1	
4	7J4436	CABLE - FFC, pod, front camera, i2900	1	
	5K0675	CABLE - FFC, pod, front camera, i3200 / i3300 / i3400 / i3500	1	
	5K1854	CABLE - FFC, pod, front camera, i3250 / i3450	1	
5	7J4438	CABLE - FFC, sensor board, i2900	1	
	5K0772	CABLE - FFC, sensor board, i3200 / i3300 / i3400 / i3500	1	
	5K1855	CABLE - FFC, sensor board, i3250 / i3450	1	
6	5K0684	FOAM - harness, routing	1	
7	7J0732	KING CORE - FS-28.5-6.5-18-1.0	1	
8	5K0535	CLAMP - harness, routing	1	
9	5K1441	BOARD - controller AY	1	
	5K5528	BOARD - controller AY, i3500	1	
10	7J1154	RICHCO - FTH-28RS-01	1	
11	5E4874	SCREW	1	
12	398313	SENSOR - photo	1	
13	8F8390	BOARD - power on/off switch	1	
14	7J4441	HARNESS - base	1	
15	9E4211	UDDS TRANSMITTER SENSOR AY	1	
16	7J4440	CLUTCH - harness	1	
17	5K0818	SEAL - flat cable	1	
18	7J4439	CABLE - flex, OCP, i2900 / i3200 / i3300 / i3400 / i3500	1	
	5K2472	CABLE - flex, OCP, i3250 / i3450	1	
19	7J4442	HARNESS AY - mic / rec	1	
	SP5K0698	POWER SUPPLY	1	Not shown
	9E7906	CABLE - power supply, US	1	Not shown
	9E5388	CABLE - power supply, APAC	1	Not shown
	5K1053	CABLE - power supply, ROW	1	Not shown

Figure 4 TRANSPORT - Lower

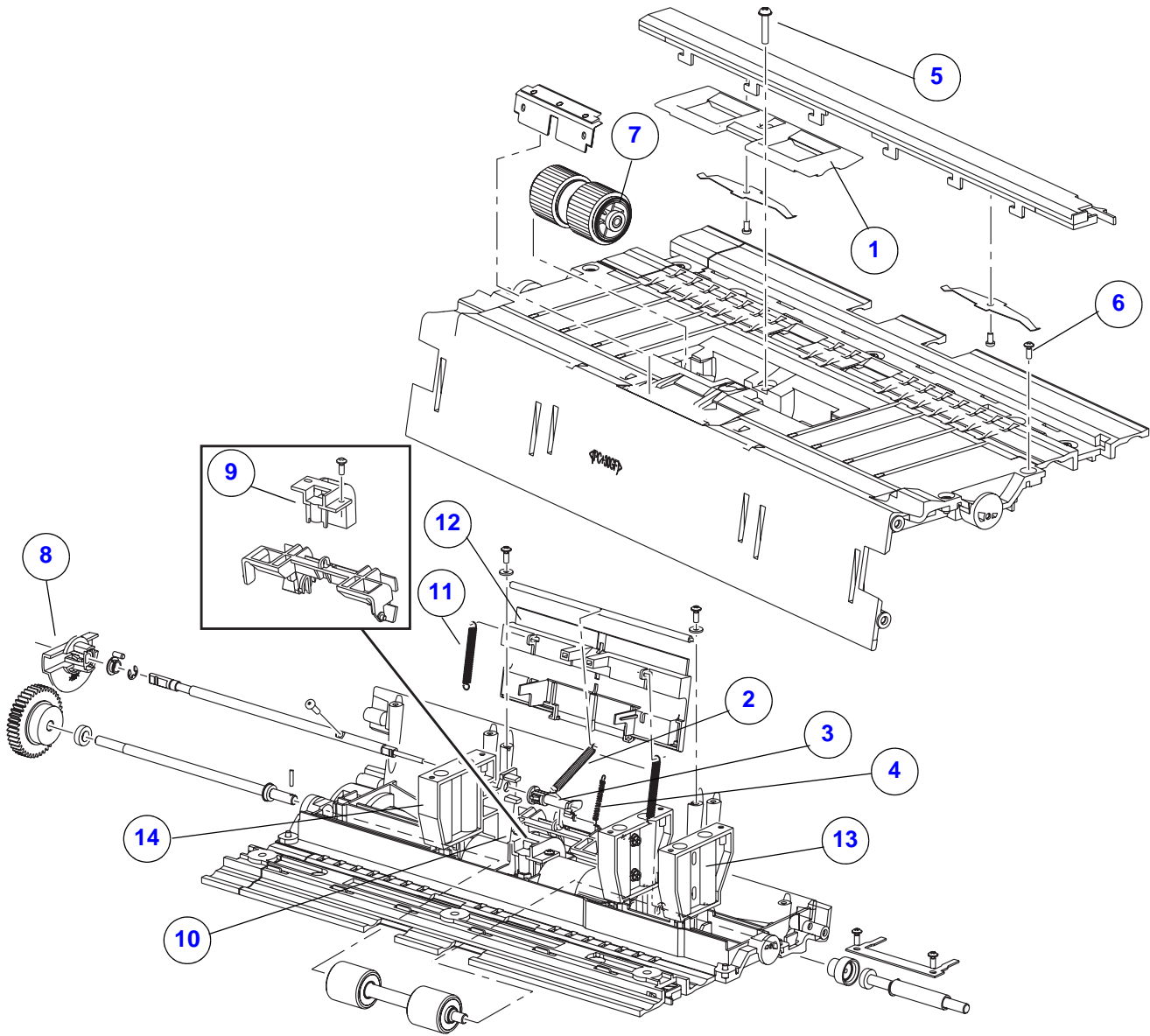


B189_1502D

Figure 4 TRANSPORT - Lower

Item	Part No.	Description	Quantity	Notes
1	5E4874	SCREW	3	
2	5K0223	COVER - roller, i2900 / i3200 / i3300 / i3400 / i3500	1	
	5K1717	COVER - roller, i3250 / i3450	1	
3	5K0737	SHAFT AY - drive, exit	1	
	5K5438	SHAFT AY - drive, exit, i3500	1	
4	5K0734	SHAFT AY - drive	2	
	5K5439	SHAFT AY - drive, i3500	2	
5	5K0736	SHAFT AY - drive	1	
	5K5440	SHAFT AY - drive, i3500	1	
6	5K0733	SHAFT AY - drive	1	
	5K5442	SHAFT AY - drive, i3500	1	
7	5K0731	SHAFT AY - drive	2	
	5K5441	SHAFT AY - drive, i3500	2	
8	7E7743	SCREW - sems, hex, flange, hd, torx, M3x10	2	
9	7J3987	SHAFT AY - takeaway	1	
10	5K2221	SUPPORT - ADF, lower (left)	1	
11	8CK132	SCREW - TF, PT, KA30x8	1	
12	7J4196	MOTOR AY - lower transport	1	
13	5K0310	BELT - timing, 105T	1	
14	--	SUPPORT - metal strap	1	
15	7J4167	BELT - timing, 94T, i2900 / i3200 / i3300 / i3400 / i3500	1	
	5K1860	BELT - timing, 101T, i3250 / i3450	1	
16	7J4166	BELT - timing, 77T	3	
17	7J4165	BELT - timing, 65T	1	
18	7J4194	BELT - timing, 93T	1	
19	981710	SCREW - sems, hex flange head, torx, M3x8	1	
20	5K2892	SHAFT AY - drive, takeaway	1	
21	7J4200	IDLER AY	1	
22	7J4324	BEARING - retainer	1	
23	748353	SCREW - sems, hex flange head, torx, M3x6	2	
24	5K5190	SHAFT AY - takeaway (straight-through), i3500 SCANNER	1	
25	5K5193	SUPPORT - ADF, left, i3500 SCANNER	1	
26	5K5192	SUPPORT - ADF, right, i3500 SCANNER	2	
27	8CK132	SCREW - TF, PT, KA30x12	6	

Figure 5 LOWER ADF - i2900 / i3200 / i3250 / i3300 / i3400 / i3450 SCANNERS

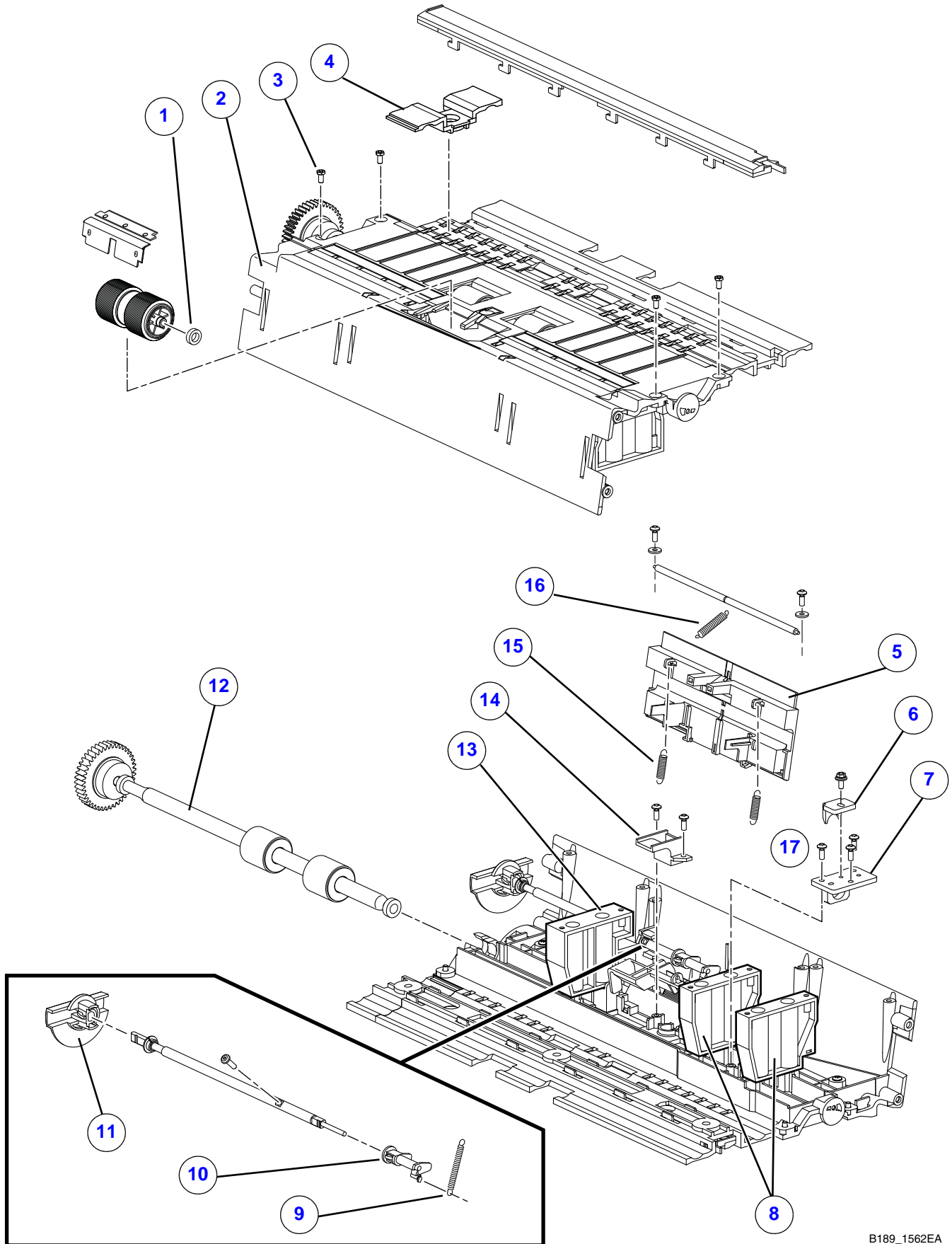


B189_1503DC

Figure 5 LOWER ADF - i2900 / i3200 / i3250 / i3300 / i3400 / i3450

Item	Part No.	Description	Quantity	Notes
1	5K0287	COVER - takeaway	1	
2	5K0912	SPRING - roller bracket	1	
3	5K0800	PAWL - with snap	1	
4	5K0806	SPRING - extension	1	
5	4C8418	SCREW - Cbossard, 40100, M3x16	1	
6	7J4099	SCREW CAP - M3	2	
7	5F1650	BEARING - ball, 6 mm	1	
8	5K0655	HANDLE - gap, release, i2900	1	
	5K0656	HANDLE - gap, release, i3000 SERIES	1	
9	7J4480	RETAINER - UDDS	1	
10	7J4192	ROLLER - bracket, separation	1	
11	5K0913	SPRING - pad slide	1	
12	5K0214	SLIDE PAD	1	
13	5K1376	SUPPORT - ADF, lower (right)	2	
14	5K2221	SUPPORT - ADF, lower (left)	1	

Figure 6 LOWER ADF - i3500 SCANNER

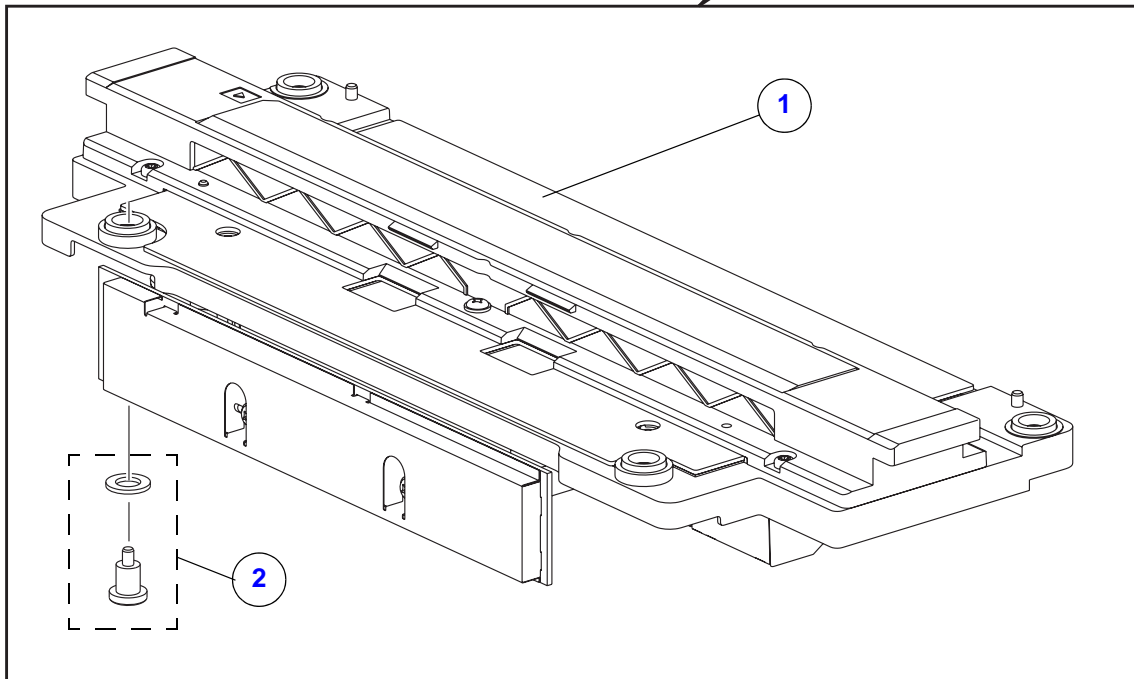
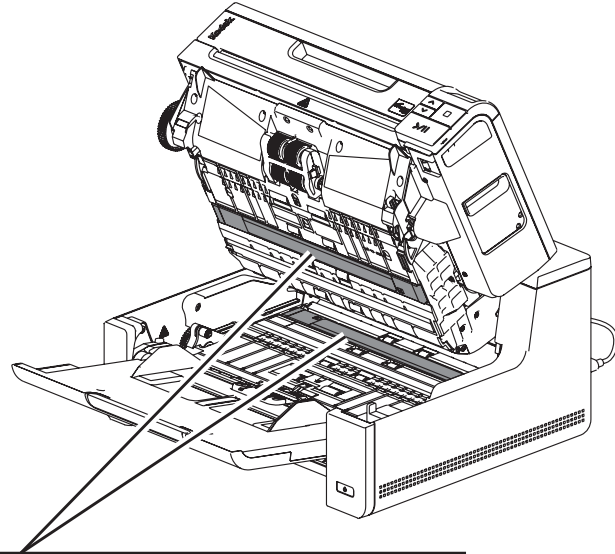


B189_1562EA

Figure 6 LOWER ADF - i3500 SCANNER

Item	Part No.	Description	Quantity	Notes
1	5F1650	BEARING - ball, 6 mm	1	
2	5K5665	BAFFLE - ADF lower, i3500 SCANNER	1	
3	7J4099	SCREW CAP - M3	4	
4	5K0683	INSERT - ADF baffle, lower	1	
5	5K0214	SLIDE PAD	1	
6	5K5202	BEARING - clamp	1	
7	5K5201	BEARING - support	1	
8	5K5192	SUPPORT - ADF, right, i3500 SCANNER	2	
9	5K0806	SPRING - extension	1	
10	5K0800	PAWL - with snap	1	
11	5K0656	HANDLE - gap, release, i3000 SERIES	1	
12	5K5190	SHAFT AY - takeaway (straight-through), i3500 SCANNER	1	
13	5K5193	SUPPORT - ADF, left, i3500 SCANNER	1	
14	5K5194	RETAINER - UDDS, i3500	1	
15	5K0913	SPRING - pad slide	2	
16	5K0912	SPRING - roller bracket	1	
17	5E4874	SCREW - support bearing	3	

Figure 7 SCAN MODULES

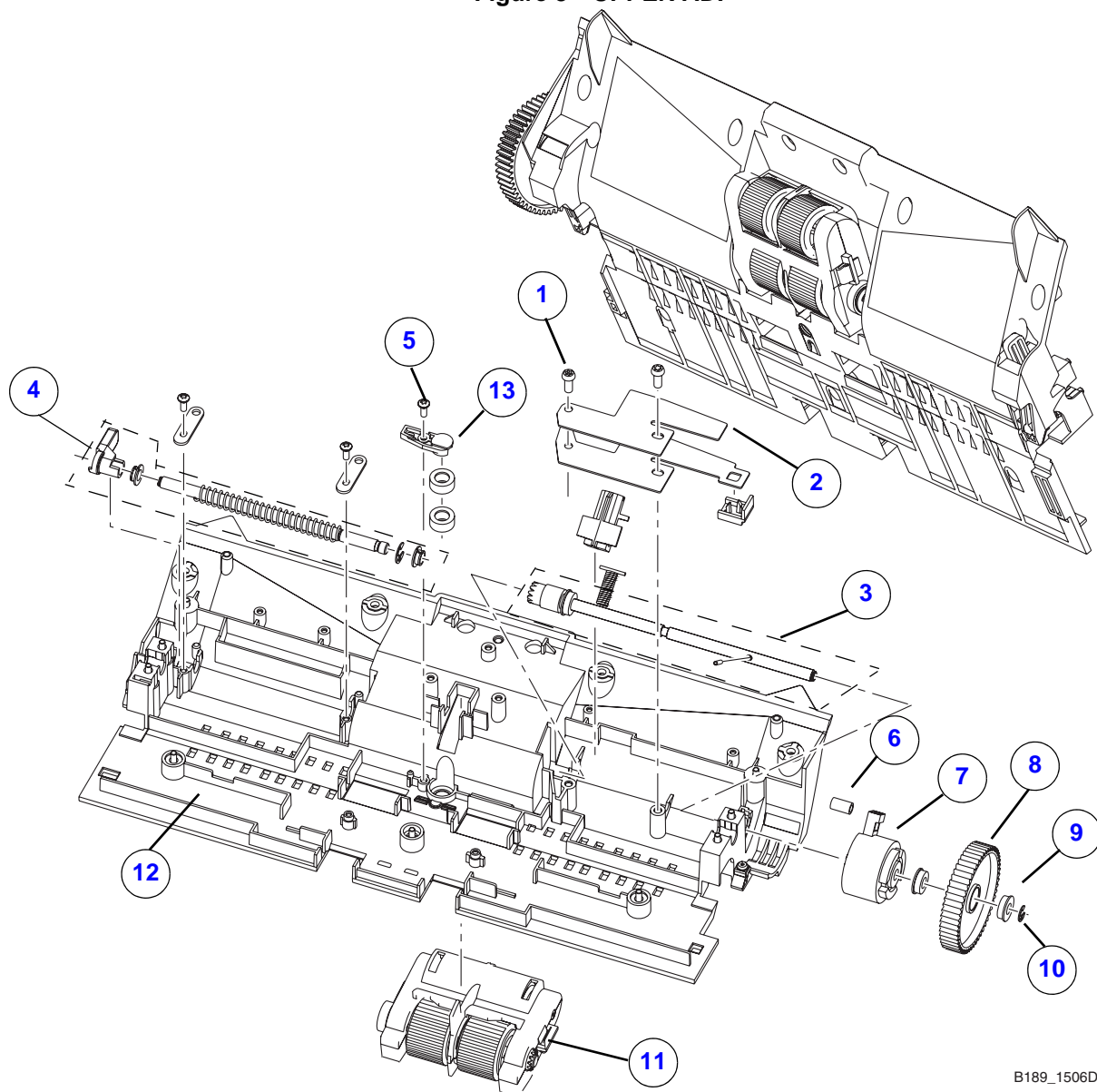


B189_1504DC

Figure 7 SCAN MODULES

Item	Part No.	Description	Quantity	Notes
1	5K1456	SCAN MODULE - i2900	2	Not shown
	5K1455	SCAN MODULE - i3200 / i3300 / i3400 / i3500	2	
	5K1877	SCAN MODULE GLASS ONLY - i3000 SERIES (Image Guide Assembly)	2	
2	5K0484	SCREW AY - shoulder, M3x4, with washer	8	

Figure 8 UPPER ADF

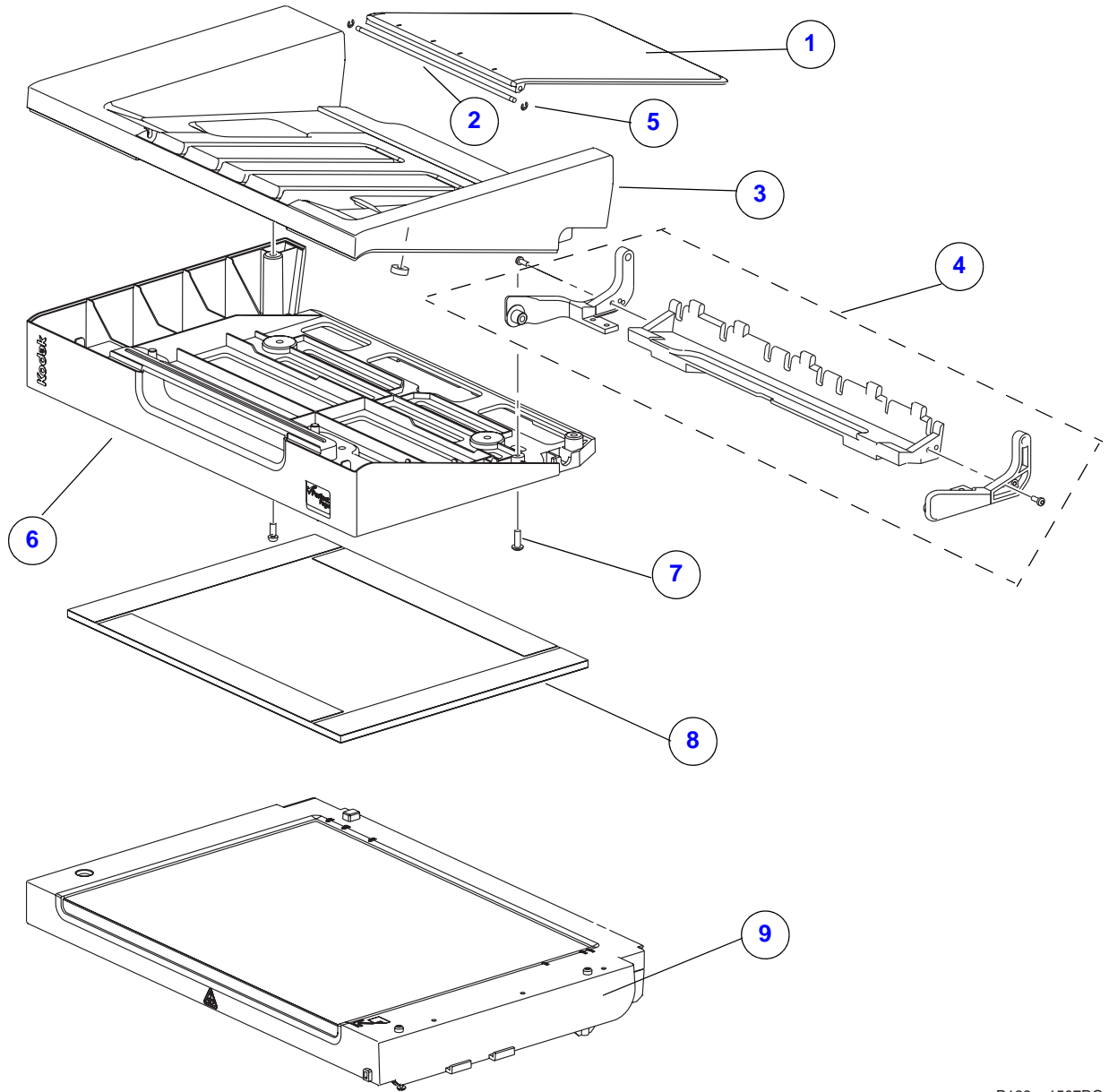


B189_1506DC

Figure 8 UPPER ADF

Item	Part No.	Description	Quantity	Notes
1	9E5632	SCREW - tapping, pan head, M4x10	2	
2	7J4069	RETAINER - bearing, feeder shaft	1	
3	5K0784	DRIVE FEEDER AY	1	
4	5K0785	FEEDER RELEASE AY	1	
5	5E4874	SCREW	1	
6	5K0417	TUBE - clutch stop	1	
7	5K0269	CLUTCH - Reell, EC30XPCW	1	
8	7J4019	GEAR - 56T, ADF drive	1	
9	5E4878	BEARING - ball, 6 mm	1	
10	315220	E-RING - rotor clip, ME-5-ST-PA-S	1	
11	7J3894	FEED MODULE AY	1	
12	7J4005	BAFFLE - ADF, upper, i2900 / i3200 / i3300 / i3400 / i3500	1	
13	SP5K1843	BAFFLE - ADF, upper, i3250 / i3450	1	
	5K0783	RETAINER - microphone	1	

Figure 9 OUTPUT TRAY

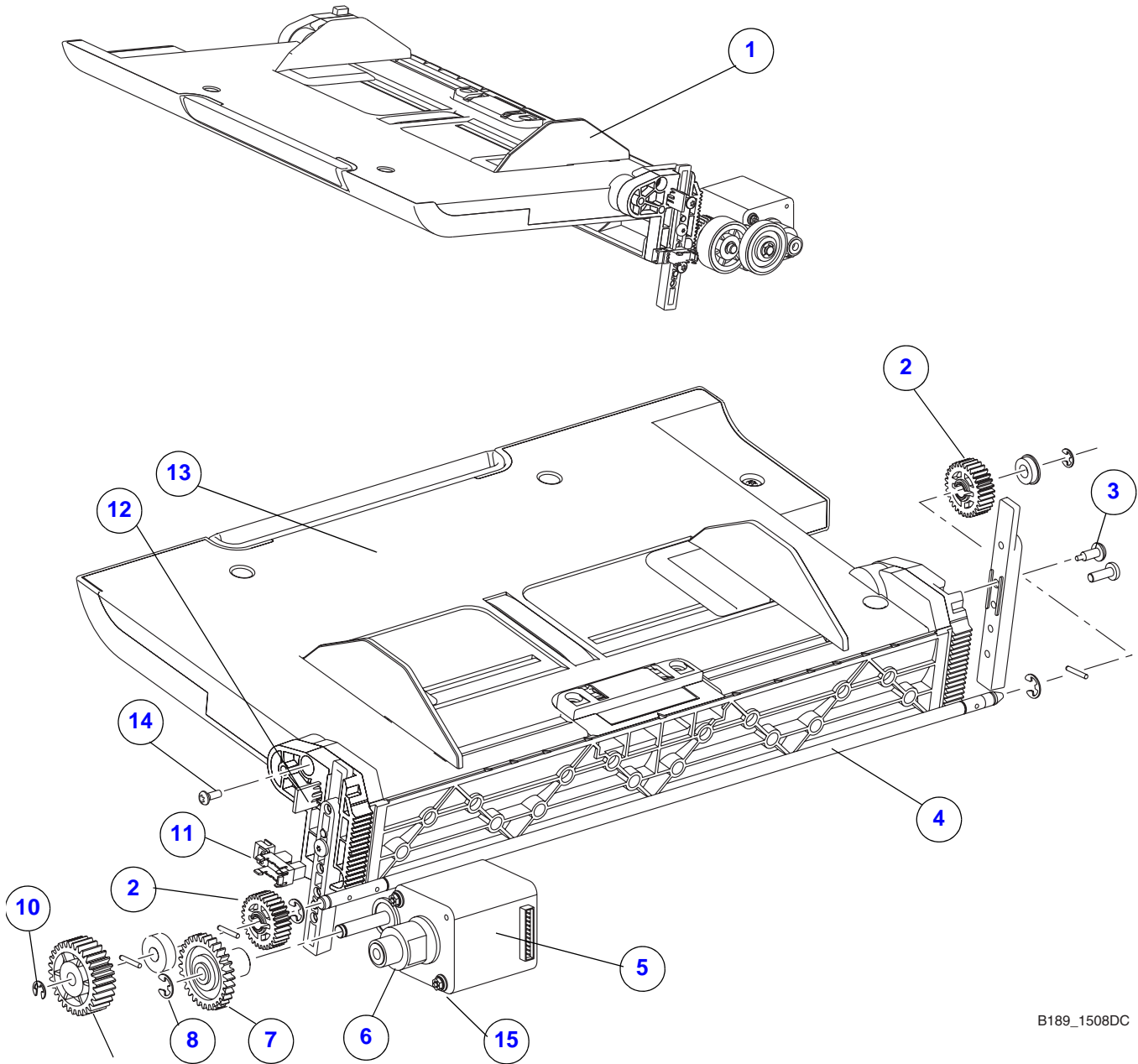


B189_1507DC

Figure 9 OUTPUT TRAY

Item	Part No.	Description	Quantity	Notes
1	5K0861	TRAY EXTENSION - i2900	1	
	5K0573	TRAY EXTENSION - i3200 / i3300 / i3400 / i3500	1	
	5K1783	TRAY EXTENSION - i3250 / i3450	1	
2	5K0436	SHAFT	1	
3	5K0856	OUTPUT TRAY - top, i2900	1	
	5K1893	OUTPUT TRAY - top, i3250 / i3450	1	
4	5K0437	HYBRID PIVOT AY - base, i2900	1	
	5K1779	HYBRID PIVOT AY - base, i3250 / i3450	1	
	5K1894	BASE - exit tray, i3250 / i3450	1	
5	5K0769	E-RING	2	
6	5K0851	OUTPUT TRAY - bottom, i2900	1	
	5K0852	OUTPUT TRAY - bottom, i3000 SERIES	1	
7	9E3412	SCREW - tapping, pan head, M4x10	4	
8	5K0038	IMAGE PAD AY - i2900 / i3200 / i3300 / i3400 / i3500	1	
	5K0040	IMAGE PAD AY - i3250, i3450	1	
9	5K0211	INTEGRATED FLATBED AY	1	
--	5K0045	OUTPUT AY - i3200 / i3300 / i3400 / i3500	1	Not visible in the graphic.
--	5K1882	OUTPUT AY - i3250 / i3450	1	Not visible in the graphic.
--	5K0048	TRAY - molded, top - i3200 / i3300 / i3400 / i3500	1	Not visible in the graphic.
--	7J4443	CABLE - USB, flatbed, high speed, 2.0, i2900	1	Not visible in the graphic.
--	7J4470	HARNESS AY - power, flatbed, i2900	1	Not visible in the graphic.

Figure 10 INPUT TRAY

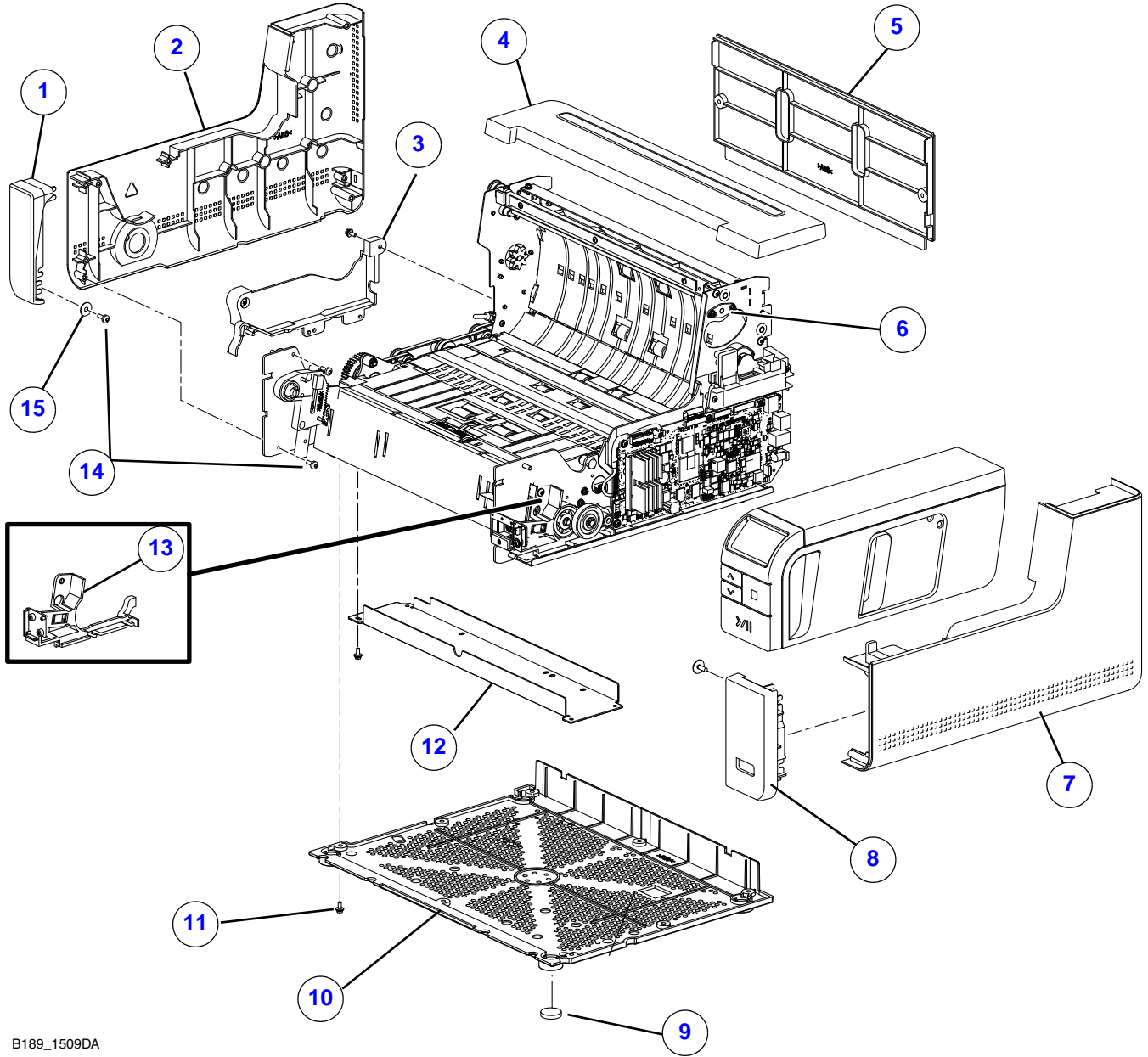


B189_1508DC

Figure 10 INPUT TRAY

Item	Part No.	Description	Quantity	Notes
1	7J3697	ELEVATOR TRAY AY - i2900	1	
	7J3716	ELEVATOR TRAY AY - i3200	1	
	5K5076	ELEVATOR TRAY AY - i3300	1	
	5K1047	ELEVATOR TRAY AY - i3400	1	
	5K2227	ELEVATOR TRAY AY - i3250	1	
	5K1918	ELEVATOR TRAY AY - i3450	1	
2	5K5013	ELEVATOR TRAY AY - i3500	1	
	7J4252	PINION - elevator	2	
3	5K1059	SCREW - stop, elevator	2	
4	7J4250	SHAFT AY - cross	1	
5	8F8294	MOTOR AY - elevator	1	
6	8F8276	GEAR - elevator motor	1	
7	8F8111	GEAR - cluster, elevator	1	
8	243359	E-RING - ME-6-ST-PA-S	1	
9	8F9434	GEAR	1	
10	315220	E-RING - rotor clip, ME-5-ST-PA-S	1	
11	398313	SENSOR - photo	1	
12	5K0909	FLAG - elevator, down	1	
13	5K0447	ELEVATOR INPUT TRAY - i2900	1	
	7J4245	ELEVATOR INPUT TRAY - i3200 / i3300	1	
	5K1048	ELEVATOR INPUT TRAY - i3400	1	
	5K1917	ELEVATOR INPUT TRAY - i3250 / i3450	1	Does not include the ENERGY STAR® label
	5K5082	ELEVATOR INPUT TRAY - i3500	1	
14	5K0320	SCREW - TF, PT, KA30X10	2	
15	748353	SCREW - sems, hex flange head, torx	2	

Figure 11 COVERS

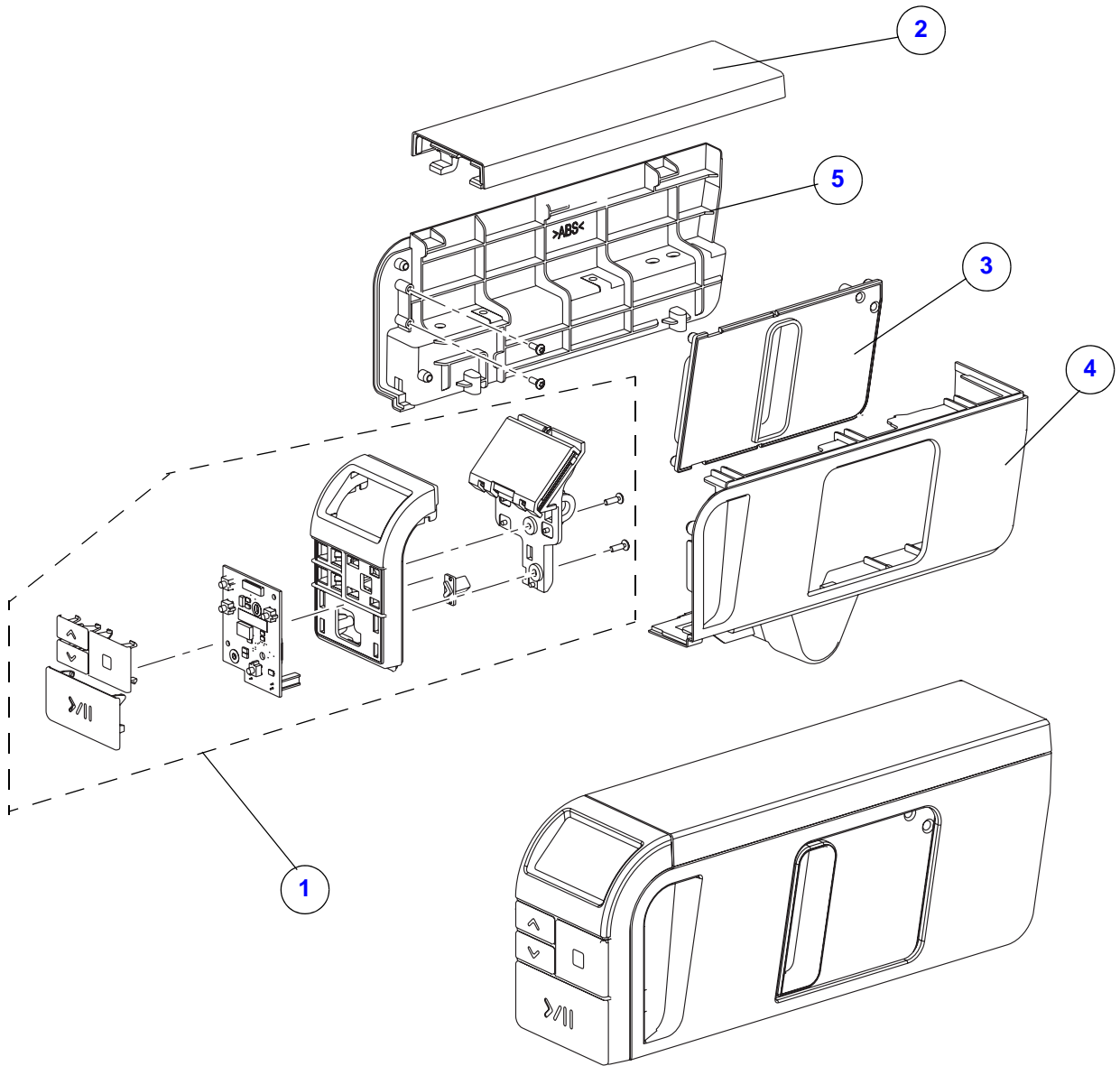


B189_1509DA

Figure 11 COVERS

Item	Part No.	Description	Quantity	Notes
1	5K0612	COVER - base, left, elevator, i2900	1	
	5K0618	COVER - base, left, elevator, i3000 SERIES	1	
2	5K0617	COVER - base, left, i2900	1	
	5K0611	COVER - base, left, i3200 / i3300 / i3400 / i3500	1	
	5K1655	COVER - base, left, i3250 / i3450	1	
3	5K0468	COVER - base, left inside	1	
4	5K0609	COVER - main, top, i2900	1	
	5K0615	COVER - main, top, i3000 SERIES	1	
5	5K0614	COVER - printer, i2900	1	
	5K0620	COVER - printer, i3200 / i3300 / i3400 / i3500	1	
	5K1746	COVER - printer, i3250 / i3450	1	
6	5K0087	PLATE - PIVOT AY	1	
7	5K1347	COVER - base, right, i2900	1	
	5K1348	COVER - base, right, i3200 / i3300 / i3400 / i3500	1	
	5K1656	COVER - base, right, i3250 / i3450	1	
8	5K0622	COVER - base, right, on/off switch, i2900	1	
	5K0623	COVER - base, right, on/off switch, i3200 / i3300 / i3400 / i3500	1	
	5K1666	COVER - base, right, on/off switch, i3250 / i3450	1	
9	9E9775	FOOT PAD	4	
10	5K0467	COVER - bottom	1	
11	981710	SCREW - sems, hex flange head, torx, M3x8	20	
12	5K0019	CHANNEL - frame base	1	Not stocked separately.
	5K5057	CHANNEL - frame base, i3500	1	
13	5K0482	COVER - elevator, gear	1	
14	5E4877	SCREW - TF, PT, KA40X12	20	
15	714301	WASHER - flat	1	

Figure 12 OCP AY

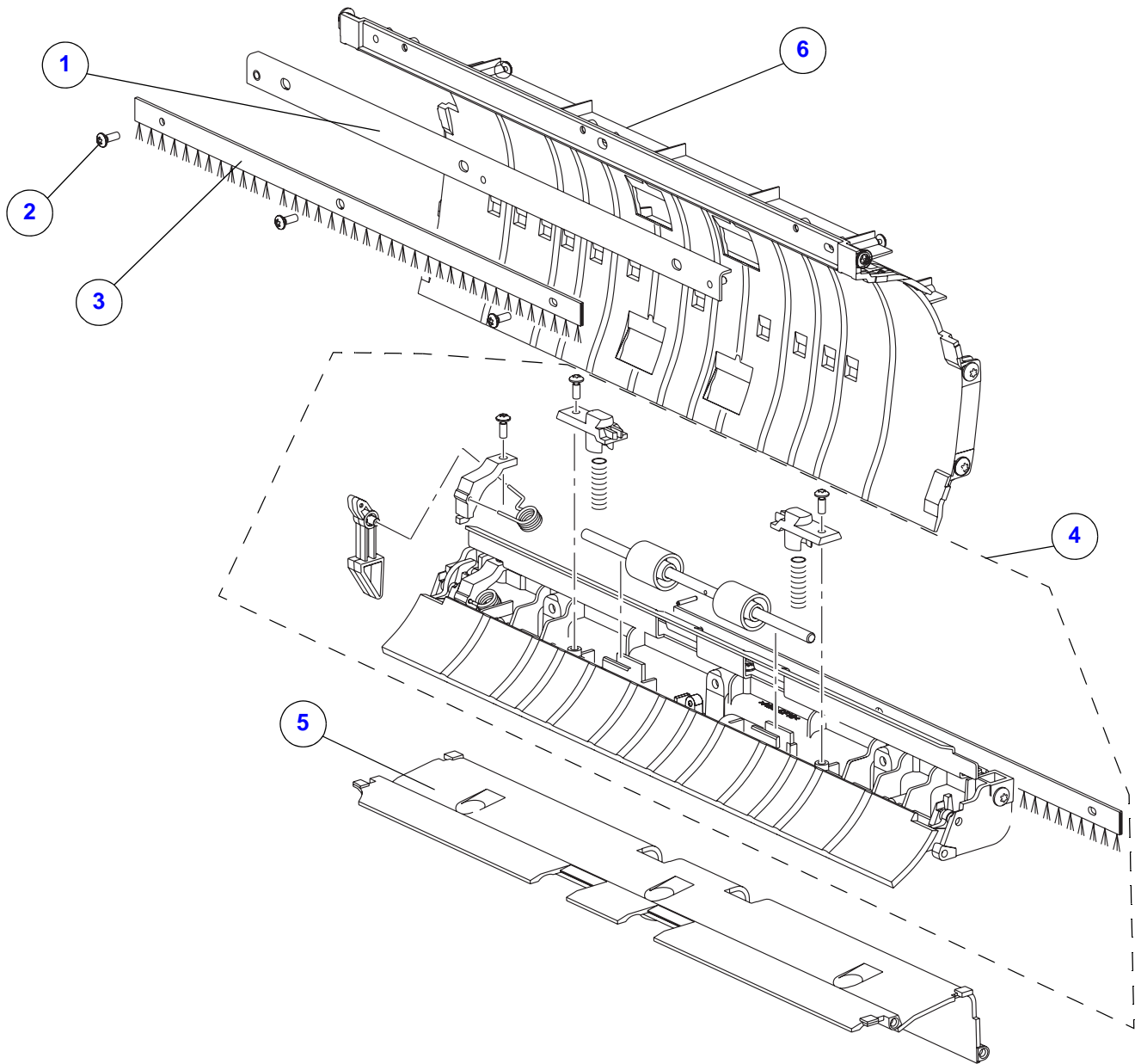


B189_1513DC

Figure 12 OCP AY

Item	Part No.	Description	Quantity	Notes
1	5K0425	OCP AY - i2900	1	
	5K0426	OCP AY - i3000 SERIES	1	
2	5K0594	COVER - OCP, top, i2900	1	
	5K0595	COVER - OCP, top, i3000 SERIES	1	
3	5K2020	HANDLE - latch, i2900	1	
	5K2021	HANDLE - latch, i3000 SERIES	1	
	5K0596	COVER - OCP, right, i2900	1	
4	5K0597	COVER - OCP, right, i3200 / i3300 / i3400 / i3500	1	
	5K1679	COVER - OCP, right, i3250 / i3450	1	
	5K0600	COVER - OCP, left, i2900	1	
5	5K0601	COVER - OCP, left, i3000 SERIES	1	
	--	5K0602	COVER - OCP, front, i2900	1
--	5K0603	COVER - OCP, front, i3000 SERIES	1	Not visible in the graphic.

Figure 13 DIVERTER

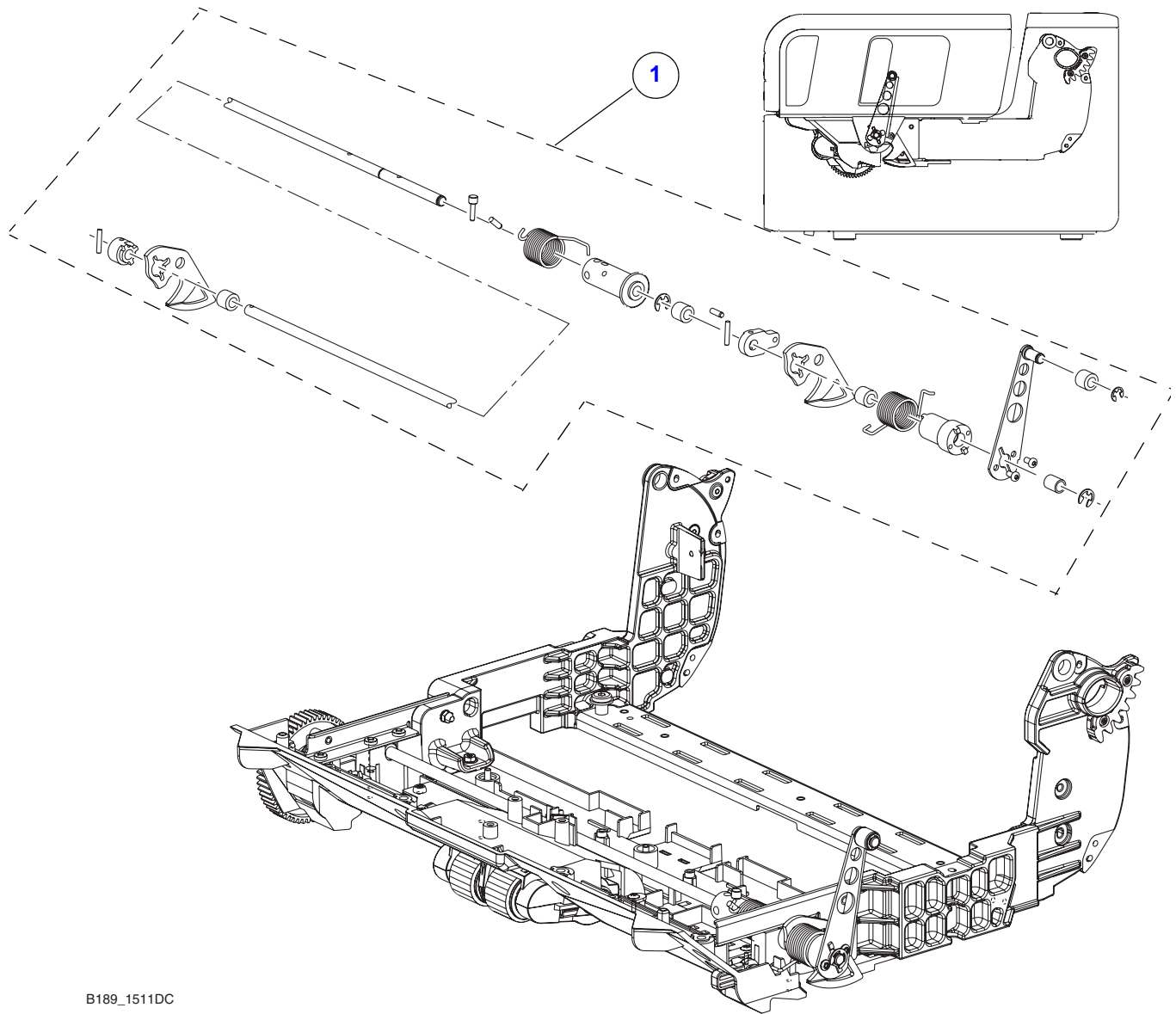


B189_1512DC

Figure 13 DIVERTER

Item	Part No.	Description	Quantity	Notes
1	5K0427	BRACKET - stiffener	1	
2	5E4874	SCREW	3	
3	7J4379	BRUSH - static elimination	1	
4	5K0151	DIVERTER AY - i2900 / i3200 / i3300 / i3400 / i3500	1	
	5K1862	DIVERTER AY - i3250 / i3450	1	
5	7J4074	BAFFLE - lower, rear	1	
6	7J4007	BAFFLE - transport, base, i2900 / i3200 / i3300 / i3400	1	
	5K1787	BAFFLE - transport, base, i3250 / i3450	1	

Figure 14 POD LATCH



B189_1511DC

Figure 14 POD LATCH

Item	Part No.	Description	Quantity	Notes
1	5K0549	LATCH BAR AND HOOK AY - i2900 / i3200 / i3300 / i3400 / i3500	1	
	5K1728	LATCH BAR AND HOOK AY - i3250 / i3450	1	

Section 2: Numerical Index

Numerical Index		
Part No.	Description	Figure No.
--	SUPPORT - metal strap	4
243359	E-RING - ME-6-ST-PA-S	10
315220	E-RING - rotor clip, ME-5-ST-PA-S	10.8
398313	SENSOR - photo	10.3
4C8418	SCREW - Cbossard, 40100, M3x16	5
5E4874	SCREW	13.3.4.8
5E4874	SCREW - support bearing	6
5E4877	SCREW - TF, PT, KA40X12	11.2
5E4878	BEARING - ball, 6 mm	8
5F1650	BEARING - ball, 6 mm	5.6
5K0019	CHANNEL - frame base	11
5K0038	IMAGE PAD AY - i2900 / i3200 / i3300 / i3400 / i3500	9
5K0040	IMAGE PAD AY - i3250, i3450	9
5K0045	OUTPUT AY - i3200 / i3300 / i3400 / i3500	9
5K0048	TRAY - molded, top - i3200 / i3300 / i3400 / i3500	9
5K0087	PLATE - PIVOT AY	11
5K0103	BLOTTER AY	2
5K0129	BACKSTOP - exit	2
5K0141	SPRING - NFR	2
5K0151	DIVERTER AY - i2900 / i3200 / i3300 / i3400 / i3500	13
5K0211	INTEGRATED FLATBED AY	9
5K0214	SLIDE PAD	5.6
5K0223	COVER - roller, i2900 / i3200 / i3300 / i3400 / i3500	4
5K0269	CLUTCH - <i>Reell</i> , EC30XPCW	8
5K0287	COVER - takeaway	5
5K0310	BELT - timing, 105T	4
5K0317	PLUG - spring, i2900 / i3200 / i3300 / i3400 / i3500	2
5K0320	SCREW - TF, PT, KA30X10	10.2
5K0417	TUBE - clutch stop	8
5K0425	OCP AY - i2900	12
5K0426	OCP AY - i3000 SERIES	12
5K0427	BRACKET - stiffener	13
5K0436	SHAFT	9
5K0437	HYBRID PIVOT AY - base, i2900	9
5K0447	ELEVATOR INPUT TRAY - i2900	10
5K0467	COVER - bottom	11
5K0468	COVER - base, left inside	11
5K0482	COVER - elevator, gear	11
5K0484	SCREW AY - shoulder, M3x4, with washer	7
5K0535	CLAMP - harness, routing	3
5K0549	LATCH BAR AND HOOK AY - i2900 / i3200 / i3300 / i3400 / i3500	14
5K0573	TRAY EXTENSION - i3200 / i3300 / i3400 / i3500	9
5K0594	COVER - OCP, top, i2900	12
5K0595	COVER - OCP, top, i3000 SERIES	12
5K0596	COVER - OCP, right, i2900	12
5K0597	COVER - OCP, right, i3200 / i3300 / i3400 / i3500	12

Numerical Index		
Part No.	Description	Figure No.
5K0600	COVER - OCP, left, i2900	12
5K0601	COVER - OCP, left, i3000 SERIES	12
5K0602	COVER - OCP, front, i2900	12
5K0603	COVER - OCP, front, i3000 SERIES	12
5K0609	COVER - main, top, i2900	11
5K0611	COVER - base, left, i3200 / i3300 / i3400 / i3500	11
5K0612	COVER - base, left, elevator, i2900	11
5K0614	COVER - printer, i2900	11
5K0615	COVER - main, top, i3000 SERIES	11
5K0617	COVER - base, left, i2900	11
5K0618	COVER - base, left, elevator, i3000 SERIES	11
5K0620	COVER - printer, i3200 / i3300 / i3400 / i3500	11
5K0622	COVER - base, right, on/off switch, i2900	11
5K0623	COVER - base, right, on/off switch, i3200 / i3300 / i3400 / i3500	11
5K0655	HANDLE - gap, release, i2900	5
5K0656	HANDLE - gap, release, i3000 SERIES	5, 6
5K0674	CABLE - FFC, base, rear camera, i3000 SERIES	3
5K0675	CABLE - FFC, pod, front camera, i3200 / i3300 / i3400 / i3500	3
5K0683	INSERT - ADF baffle, lower	6
5K0684	FOAM - harness, routing	3
5K0728	ROLLER - force, normal	2
5K0729	SHAFT - force, normal, takeaway	2
5K0731	SHAFT AY - drive	4
5K0733	SHAFT AY - drive	4
5K0734	SHAFT AY - drive	4
5K0736	SHAFT AY - drive	4
5K0737	SHAFT AY - drive, exit	4
5K0769	E-RING	9
5K0772	CABLE - FFC, sensor board, i3200 / i3300 / i3400 / i3500	3
5K0783	RETAINER - microphone	8
5K0784	DRIVE FEEDER AY	8
5K0785	FEEDER RELEASE AY	8
5K0800	PAWL - with snap	5, 6
5K0806	SPRING - extension	5, 6
5K0818	SEAL - flat cable	3
5K0851	OUTPUT TRAY - bottom, i2900	9
5K0852	OUTPUT TRAY - bottom, i3000 SERIES	9
5K0856	OUTPUT TRAY - top, i2900	9
5K0861	TRAY EXTENSION - i2900	9
5K0909	FLAG - elevator, down	10
5K0912	SPRING - roller bracket	5, 6
5K0913	SPRING - pad slide	5, 6
5K1047	ELEVATOR TRAY AY - i3400	10
5K1048	ELEVATOR INPUT TRAY - i3400	10
5K1053	CABLE - power supply, ROW	3
5K1059	SCREW - stop, elevator	10
5K1099	BOARD AY - sensor interference	3
5K1347	COVER - base, right, i2900	11

Numerical Index

Part No.	Description	Figure No.
5K1348	COVER - base, right, i3200 / i3300 / i3400 / i3500	11
5K1376	SUPPORT - ADF, lower (right)	5
5K1441	BOARD - controller AY	3
5K1455	SCAN MODULE - i3200 / i3300 / i3400 / i3500	7
5K1456	SCAN MODULE - i2900	7
5K1486	BACKGROUND	2
5K1655	COVER - base, left, i3250 / i3450	11
5K1656	COVER - base, right, i3250 / i3450	11
5K1666	COVER - base, right, on/off switch, i3250 / i3450	11
5K1679	COVER - OCP, right, i3250 / i3450	12
5K1717	COVER - roller, i3250 / i3450	4
5K1722	PLUG - spring, i3250 / i3450	2
5K1728	LATCH BAR AND HOOK AY - i3250 / i3450	14
5K1746	COVER - printer, i3250 / i3450	11
5K1779	HYBRID PIVOT AY - base, i3250 / i3450	9
5K1783	TRAY EXTENSION - i3250 / i3450	9
5K1787	BAFFLE - transport, base, i3250 / i3450	13
5K1837	BAFFLE - pod, horizontal transport, i3250 / i3450	2
5K1854	CABLE - FFC, pod, front camera, i3250 / i3450	3
5K1855	CABLE - FFC, sensor board, i3250 / i3450	3
5K1860	BELT - timing, 101T, i3250 / i3450	4
5K1862	DIVERTER AY - i3250 / i3450	13
5K1877	SCAN MODULE GLASS ONLY - i3000 SERIES (Image Guide Assembly)	7
5K1882	OUTPUT AY - i3250 / i3450	9
5K1893	OUTPUT TRAY - top, i3250 / i3450	9
5K1894	BASE - exit tray, i3250 / i3450	9
5K1917	ELEVATOR INPUT TRAY - i3250 / i3450	10
5K1918	ELEVATOR TRAY AY - i3450	10
5K2020	HANDLE - latch, i2900	12
5K2021	HANDLE - latch, i3000 SERIES	12
5K2221	SUPPORT - ADF, lower (left)	4, 5
5K2227	ELEVATOR TRAY AY - i3250	10
5K2472	CABLE - flex, OCP, i3250 / i3450	3
5K2892	SHAFT AY - drive, takeaway	4
5K4956	ROLLER - force, normal, i3500	2
5K4957	SHAFT - force, normal, takeaway, i3500	2
5K5013	ELEVATOR TRAY AY - i3500	10
5K5057	CHANNEL - frame base, i3500	11
5K5076	ELEVATOR TRAY AY - i3300	10
5K5082	ELEVATOR INPUT TRAY - i3500	10
5K5190	SHAFT AY - takeaway (straight-through), i3500 SCANNER	4, 6
5K5192	SUPPORT - ADF, right, i3500 SCANNER	4, 6
5K5193	SUPPORT - ADF, left, i3500 SCANNER	4, 6
5K5194	RETAINER - UDDS, i3500	6
5K5201	BEARING - support	6
5K5202	BEARING - clamp	6
5K5438	SHAFT AY - drive, exit, i3500	4
5K5439	SHAFT AY - drive, i3500	4

Numerical Index		
Part No.	Description	Figure No.
5K5440	SHAFT AY - drive, i3500	4
5K5441	SHAFT AY - drive, i3500	4
5K5442	SHAFT AY - drive, i3500	4
5K5528	BOARD - controller AY, i3500	3
5K5665	BAFFLE - ADF lower, i3500 SCANNER	6
714301	WASHER - flat	11
748353	SCREW - sems, hex flange head, torx	10
748353	SCREW - sems, hex flange head, torx, M3x6	4
748354	SCREW - sems, hex flange head, torx, M3x12	2
7E7743	SCREW - sems, hex, flange, hd, torx, M3x10	4
7J0732	KING CORE - FS-28.5-6.5-18-1.0	3
7J1154	RICHCO - FTH-28RS-01	3
7J3697	ELEVATOR TRAY AY - i2900	10
7J3716	ELEVATOR TRAY AY - i3200	10
7J3783	PRINTER ACCESSORY KIT	1
7J3894	FEED MODULE AY	8
7J3987	SHAFT AY - takeaway	4
7J4005	BAFFLE - ADF, upper, i2900 / i3200 / i3300 / i3400 / i3500	8
7J4006	BAFFLE, pod, transport	2
7J4007	BAFFLE - transport, base, i2900 / i3200 / i3300 / i3400	13
7J4019	GEAR - 56T, ADF drive	8
7J4069	RETAINER - bearing, feeder shaft	8
7J4074	BAFFLE - lower, rear	13
7J4099	SCREW CAP - M3	5, 6
7J4165	BELT - timing, 65T	4
7J4166	BELT - timing, 77T	4
7J4167	BELT - timing, 94T, i2900 / i3200 / i3300 / i3400 / i3500	4
7J4192	ROLLER - bracket, separation	5
7J4194	BELT - timing, 93T	4
7J4196	MOTOR AY - lower transport	4
7J4200	IDLER AY	4
7J4245	ELEVATOR INPUT TRAY - i3200 / i3300	10
7J4250	SHAFT AY - cross	10
7J4252	PINION - elevator	10
7J4324	BEARING - retainer	4
7J4370	BAFFLE - pod, horizontal transport, i2900 / i3200 / i3300 / i3400 / i3500	2
7J4379	BRUSH - static elimination	13
7J4436	CABLE - FFC, pod, front camera, i2900	3
7J4437	CABLE - FFC, base, rear camera, i2900	3
7J4438	CABLE - FFC, sensor board, i2900	3
7J4439	CABLE - flex, OCP, i2900 / i3200 / i3300 / i3400 / i3500	3
7J4440	CLUTCH - harness	3
7J4441	HARNESS - base	3
7J4442	HARNESS AY - mic / rec	3
7J4443	CABLE - USB, flatbed, hi speed, 2.0, i2900	3
7J4443	CABLE - USB, flatbed, high speed, 2.0, i2900	9
7J4470	HARNESS AY - power, flatbed, i2900	9
7J4480	RETAINER - UDDS	5

Numerical Index

Part No.	Description	Figure No.
8CK132	SCREW - TF, PT, KA30x12	4
8CK132	SCREW - TF, PT, KA30x8	4
8F8111	GEAR - cluster, elevator	10
8F8276	GEAR - elevator motor	10
8F8294	MOTOR AY - elevator	10
8F8390	BOARD - power on/off switch	3
8F9434	GEAR	10
981710	SCREW - sems, hex flange head, torx, M3x8	11, 4
9E3412	SCREW - tapping, pan head, M4x10	9
9E4211	UDDS TRANSMITTER SENSOR AY	3
9E5388	CABLE - power supply, APAC	3
9E5632	SCREW - tapping, pan head, M4x10	8
9E7906	CABLE - power supply, US	3
9E9775	FOOT PAD	11
SP5K0128	SPRING - retainer, NFR	2
SP5K0698	POWER SUPPLY	3
SP5K1843	BAFFLE - ADF, upper, i3250 / i3450	8

Section 3: Alphabetical Index

Alphabetical Index

Part No.	Description	Figure No.
5K1486	BACKGROUND	2
5K0129	BACKSTOP - exit	2
5K5665	BAFFLE - ADF lower, i3500 SCANNER	6
7J4005	BAFFLE - ADF, upper, i2900 / i3200 / i3300 / i3400 / i3500	8
SP5K1843	BAFFLE - ADF, upper, i3250 / i3450	8
7J4074	BAFFLE - lower, rear	13
7J4370	BAFFLE - pod, horizontal transport, i2900 / i3200 / i3300 / i3400 / i3500	2
5K1837	BAFFLE - pod, horizontal transport, i3250 / i3450	2
7J4007	BAFFLE - transport, base, i2900 / i3200 / i3300 / i3400	13
5K1787	BAFFLE - transport, base, i3250 / i3450	13
7J4006	BAFFLE, pod, transport	2
5K1894	BASE - exit tray, i3250 / i3450	9
5E4878	BEARING - ball, 6 mm	8
5F1650	BEARING - ball, 6 mm	5, 6
5K5202	BEARING - clamp	6
7J4324	BEARING - retainer	4
5K5201	BEARING - support	6
5K1860	BELT - timing, 101T, i3250 / i3450	4
5K0310	BELT - timing, 105T	4
7J4165	BELT - timing, 65T	4
7J4166	BELT - timing, 77T	4
7J4194	BELT - timing, 93T	4
7J4167	BELT - timing, 94T, i2900 / i3200 / i3300 / i3400 / i3500	4
5K0103	BLOTTER AY	2
5K1441	BOARD - controller AY	3
5K5528	BOARD - controller AY, i3500	3
8F8390	BOARD - power on/off switch	3
5K1099	BOARD AY - sensor interference	3
5K0427	BRACKET - stiffener	13
7J4379	BRUSH - static elimination	13
7J4437	CABLE - FFC, base, rear camera, i2900	3
5K0674	CABLE - FFC, base, rear camera, i3000 SERIES	3
7J4436	CABLE - FFC, pod, front camera, i2900	3
5K0675	CABLE - FFC, pod, front camera, i3200 / i3300 / i3400 / i3500	3
5K1854	CABLE - FFC, pod, front camera, i3250 / i3450	3
7J4438	CABLE - FFC, sensor board, i2900	3
5K0772	CABLE - FFC, sensor board, i3200 / i3300 / i3400 / i3500	3
5K1855	CABLE - FFC, sensor board, i3250 / i3450	3
7J4439	CABLE - flex, OCP, i2900 / i3200 / i3300 / i3400 / i3500	3
5K2472	CABLE - flex, OCP, i3250 / i3450	3
9E5388	CABLE - power supply, APAC	3
5K1053	CABLE - power supply, ROW	3
9E7906	CABLE - power supply, US	3
7J4443	CABLE - USB, flatbed, hi speed, 2.0, i2900	3
7J4443	CABLE - USB, flatbed, high speed, 2.0, i2900	9
5K0019	CHANNEL - frame base	11

Alphabetical Index

Part No.	Description	Figure No.
5K5057	CHANNEL - frame base, i3500	11
5K0535	CLAMP - harness, routing	3
7J4440	CLUTCH - harness	3
5K0269	CLUTCH - <i>Reell</i> , EC30XPCW	8
5K0468	COVER - base, left inside	11
5K0612	COVER - base, left, elevator, i2900	11
5K0618	COVER - base, left, elevator, i3000 SERIES	11
5K0617	COVER - base, left, i2900	11
5K0611	COVER - base, left, i3200 / i3300 / i3400 / i3500	11
5K1655	COVER - base, left, i3250 / i3450	11
5K1347	COVER - base, right, i2900	11
5K1348	COVER - base, right, i3200 / i3300 / i3400 / i3500	11
5K1656	COVER - base, right, i3250 / i3450	11
5K0622	COVER - base, right, on/off switch, i2900	11
5K0623	COVER - base, right, on/off switch, i3200 / i3300 / i3400 / i3500	11
5K1666	COVER - base, right, on/off switch, i3250 / i3450	11
5K0467	COVER - bottom	11
5K0482	COVER - elevator, gear	11
5K0609	COVER - main, top, i2900	11
5K0615	COVER - main, top, i3000 SERIES	11
5K0602	COVER - OCP, front, i2900	12
5K0603	COVER - OCP, front, i3000 SERIES	12
5K0600	COVER - OCP, left, i2900	12
5K0601	COVER - OCP, left, i3000 SERIES	12
5K0596	COVER - OCP, right, i2900	12
5K0597	COVER - OCP, right, i3200 / i3300 / i3400 / i3500	12
5K1679	COVER - OCP, right, i3250 / i3450	12
5K0594	COVER - OCP, top, i2900	12
5K0595	COVER - OCP, top, i3000 SERIES	12
5K0614	COVER - printer, i2900	11
5K0620	COVER - printer, i3200 / i3300 / i3400 / i3500	11
5K1746	COVER - printer, i3250 / i3450	11
5K0223	COVER - roller, i2900 / i3200 / i3300 / i3400 / i3500	4
5K1717	COVER - roller, i3250 / i3450	4
5K0287	COVER - takeaway	5
5K0151	DIVERTER AY - i2900 / i3200 / i3300 / i3400 / i3500	13
5K1862	DIVERTER AY - i3250 / i3450	13
5K0784	DRIVE FEEDER AY	8
5K0769	E-RING	9
243359	E-RING - ME-6-ST-PA-S	10
315220	E-RING - rotor clip, ME-5-ST-PA-S	10, 8
5K0447	ELEVATOR INPUT TRAY - i2900	10
7J4245	ELEVATOR INPUT TRAY - i3200 / i3300	10
5K1917	ELEVATOR INPUT TRAY - i3250 / i3450	10
5K1048	ELEVATOR INPUT TRAY - i3400	10
5K5082	ELEVATOR INPUT TRAY - i3500	10
7J3697	ELEVATOR TRAY AY - i2900	10
7J3716	ELEVATOR TRAY AY - i3200	10

Alphabetical Index

Part No.	Description	Figure No.
5K2227	ELEVATOR TRAY AY - i3250	10
5K5076	ELEVATOR TRAY AY - i3300	10
5K1047	ELEVATOR TRAY AY - i3400	10
5K1918	ELEVATOR TRAY AY - i3450	10
5K5013	ELEVATOR TRAY AY - i3500	10
7J3894	FEED MODULE AY	8
5K0785	FEEDER RELEASE AY	8
5K0909	FLAG - elevator, down	10
5K0684	FOAM - harness, routing	3
9E9775	FOOT PAD	11
8F9434	GEAR	10
7J4019	GEAR - 56T, ADF drive	8
8F8111	GEAR - cluster, elevator	10
8F8276	GEAR - elevator motor	10
5K0655	HANDLE - gap, release, i2900	5
5K0656	HANDLE - gap, release, i3000 SERIES	5, 6
5K2020	HANDLE - latch, i2900	12
5K2021	HANDLE - latch, i3000 SERIES	12
7J4441	HARNESS - base	3
7J4442	HARNESS AY - mic / rec	3
7J4470	HARNESS AY - power, flatbed, i2900	9
5K0437	HYBRID PIVOT AY - base, i2900	9
5K1779	HYBRID PIVOT AY - base, i3250 / i3450	9
7J4200	IDLER AY	4
5K0038	IMAGE PAD AY - i2900 / i3200 / i3300 / i3400 / i3500	9
5K0040	IMAGE PAD AY - i3250, i3450	9
5K0683	INSERT - ADF baffle, lower	6
5K0211	INTEGRATED FLATBED AY	9
7J0732	KING CORE - FS-28.5-6.5-18-1.0	3
5K0549	LATCH BAR AND HOOK AY - i2900 / i3200 / i3300 / i3400 / i3500	14
5K1728	LATCH BAR AND HOOK AY - i3250 / i3450	14
8F8294	MOTOR AY - elevator	10
7J4196	MOTOR AY - lower transport	4
5K0425	OCP AY - i2900	12
5K0426	OCP AY - i3000 SERIES	12
5K0045	OUTPUT AY - i3200 / i3300 / i3400 / i3500	9
5K1882	OUTPUT AY - i3250 / i3450	9
5K0851	OUTPUT TRAY - bottom, i2900	9
5K0852	OUTPUT TRAY - bottom, i3000 SERIES	9
5K0856	OUTPUT TRAY - top, i2900	9
5K1893	OUTPUT TRAY - top, i3250 / i3450	9
5K0800	PAWL - with snap	5, 6
7J4252	PINION - elevator	10
5K0087	PLATE - PIVOT AY	11
5K0317	PLUG - spring, i2900 / i3200 / i3300 / i3400 / i3500	2
5K1722	PLUG - spring, i3250 / i3450	2
SP5K0698	POWER SUPPLY	3
7J3783	PRINTER ACCESSORY KIT	1

Alphabetical Index

Part No.	Description	Figure No.
7J4069	RETAINER - bearing, feeder shaft	8
5K0783	RETAINER - microphone	8
7J4480	RETAINER - UDDS	5
5K5194	RETAINER - UDDS, i3500	6
7J1154	RICHCO - FTH-28RS-01	3
7J4192	ROLLER - bracket, separation	5
5K0728	ROLLER - force, normal	2
5K4956	ROLLER - force, normal, i3500	2
5K1456	SCAN MODULE - i2900	7
5K1455	SCAN MODULE - i3200 / i3300 / i3400 / i3500	7
5K1877	SCAN MODULE GLASS ONLY - i3000 SERIES (Image Guide Assembly)	7
5E4874	SCREW	13, 3, 4, 8
4C8418	SCREW - Cbossard, 40100, M3x16	5
748353	SCREW - sems, hex flange head, torx	10
748354	SCREW - sems, hex flange head, torx, M3x12	2
748353	SCREW - sems, hex flange head, torx, M3x6	4
981710	SCREW - sems, hex flange head, torx, M3x8	11, 4
7E7743	SCREW - sems, hex, flange, hd, torx, M3x10	4
5K1059	SCREW - stop, elevator	10
5E4874	SCREW - support bearing	6
9E3412	SCREW - tapping, pan head, M4x10	9
9E5632	SCREW - tapping, pan head, M4x10	8
5K0320	SCREW - TF, PT, KA30X10	10, 2
8CK132	SCREW - TF, PT, KA30x12	4
8CK132	SCREW - TF, PT, KA30x8	4
5E4877	SCREW - TF, PT, KA40X12	11, 2
5K0484	SCREW AY - shoulder, M3x4, with washer	7
7J4099	SCREW CAP - M3	5, 6
5K0818	SEAL - flat cable	3
398313	SENSOR - photo	10, 3
5K0436	SHAFT	9
5K0729	SHAFT - force, normal, takeaway	2
5K4957	SHAFT - force, normal, takeaway, i3500	2
7J4250	SHAFT AY - cross	10
5K0731	SHAFT AY - drive	4
5K0733	SHAFT AY - drive	4
5K0734	SHAFT AY - drive	4
5K0736	SHAFT AY - drive	4
5K0737	SHAFT AY - drive, exit	4
5K5438	SHAFT AY - drive, exit, i3500	4
5K5439	SHAFT AY - drive, i3500	4
5K5440	SHAFT AY - drive, i3500	4
5K5441	SHAFT AY - drive, i3500	4
5K5442	SHAFT AY - drive, i3500	4
5K2892	SHAFT AY - drive, takeaway	4
7J3987	SHAFT AY - takeaway	4
5K5190	SHAFT AY - takeaway (straight-through), i3500 SCANNER	4, 6
5K0214	SLIDE PAD	5, 6

Alphabetical Index

Part No.	Description	Figure No.
5K0806	SPRING - extension	5, 6
5K0141	SPRING - NFR	2
5K0913	SPRING - pad slide	5, 6
SP5K0128	SPRING - retainer, NFR	2
5K0912	SPRING - roller bracket	5, 6
5K5193	SUPPORT - ADF, left, i3500 SCANNER	4, 6
5K2221	SUPPORT - ADF, lower (left)	4, 5
5K1376	SUPPORT - ADF, lower (right)	5
5K5192	SUPPORT - ADF, right, i3500 SCANNER	4, 6
--	SUPPORT - metal strap	4
5K0048	TRAY - molded, top - i3200 / i3300 / i3400 / i3500	9
5K0861	TRAY EXTENSION - i2900	9
5K0573	TRAY EXTENSION - i3200 / i3300 / i3400 / i3500	9
5K1783	TRAY EXTENSION - i3250 / i3450	9
5K0417	TUBE - clutch stop	8
9E4211	UDDS TRANSMITTER SENSOR AY	3
714301	WASHER - flat	11

Section 4: Publication History

Publication Date	Publication No.	Changed Pages	Notes
12JUL13	IP8679-1	23, 28, 34	Changed part number 5K0598 to 5K2020, part number 5K0599 to 5K2021, and part number 7J3991 to SP5K1435. Added part number 5K1877 (Image Guide AY - Glass only).
06AUG13		17, 30, 34	Changed part number 7J3680 to 5K0211.
12AUG13		7, 29, 32	Changed part number 5K0762 to 5K1441.
10DEC13		Most	Added parts for i3250 / i3450 SCANNERS.
02JAN14		Most	Reset callouts for all tables.
31JAN14		20	Fixed callout in Figure 10.
10MAR14		9	Changed part number SP5K1435 to 5K2893
13MAR14		9	Changed part 7J3987 to SP5K1435, changed part 5K2893 to 5K2892
09JUN14		9, 11	Changed part 7J4467 to 5K2221; changed part 7J4428 to 5K1376.
01AUG14		7, 8, 9	Added part numbers SP5K0698, 9E7906, 9E5388, and 5K1053 to Figure 3 (table only). Added callout and description for part number 7J4324 in Figure 4.
26AUG14		4, 5	Added part number SP5K0128 to Figure 2.
22OCT15		9, 18-19	<ul style="list-style-type: none"> Replaced part no. SP5K1435 with part no. 7J3987. Added part no. 5K0087, PLATE - PIVOT AY, to Figure 10.
12FEB16		1, 17, many	Added <ul style="list-style-type: none"> Service code 3037 part number 5K5076 to Figure 9 i3300 model to part descriptions that previously included i3200
07JUL16		Many	Updated to support i3500 SCANNER <ul style="list-style-type: none"> Service code 3215 Multiple part numbers Figure 6, Lower ADF - i3500 SCANNER

TM/MC/MR Licensed from Eastman Kodak Company: Kodak
Kodak Alaris Inc.
2400 Mount Read Blvd., Rochester, N.Y. 14615
© 2016 Kodak Alaris Inc.

Kodak
Service & Support
Information Management