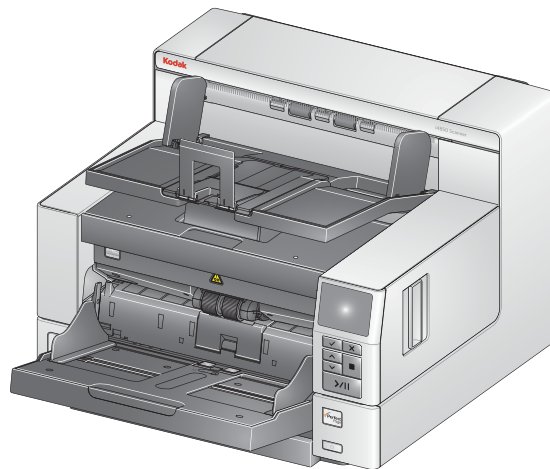


ILLUSTRATED PARTS LIST
for the
Kodak i4250 SCANNERS,
Kodak i4650 SCANNERS,
and the
Kodak i4850 SERIES SCANNERS
Service Codes: 2530, 2531, 2532



Important

Qualified service personnel must repair this equipment.



PLEASE NOTE

The information contained herein is based on the experience and knowledge relating to the subject matter gained by Kodak Alaris prior to publication. Nothing contained herein shall be construed as conferring by implication, estoppel, or otherwise, any license under any patent, trade secret, trademark or any existing copyright, except as specified herein.

Kodak Alaris reserves the right to change this information without notice, and makes no warranty, express or implied, with respect to this information. Kodak Alaris shall not be liable for any loss or damage, including consequential or special damages, resulting from any use of this information, even if loss or damage is caused by negligence or other fault by Kodak Alaris.

Kodak Alaris is the tradename for 111616 Opco (Delaware) Inc.



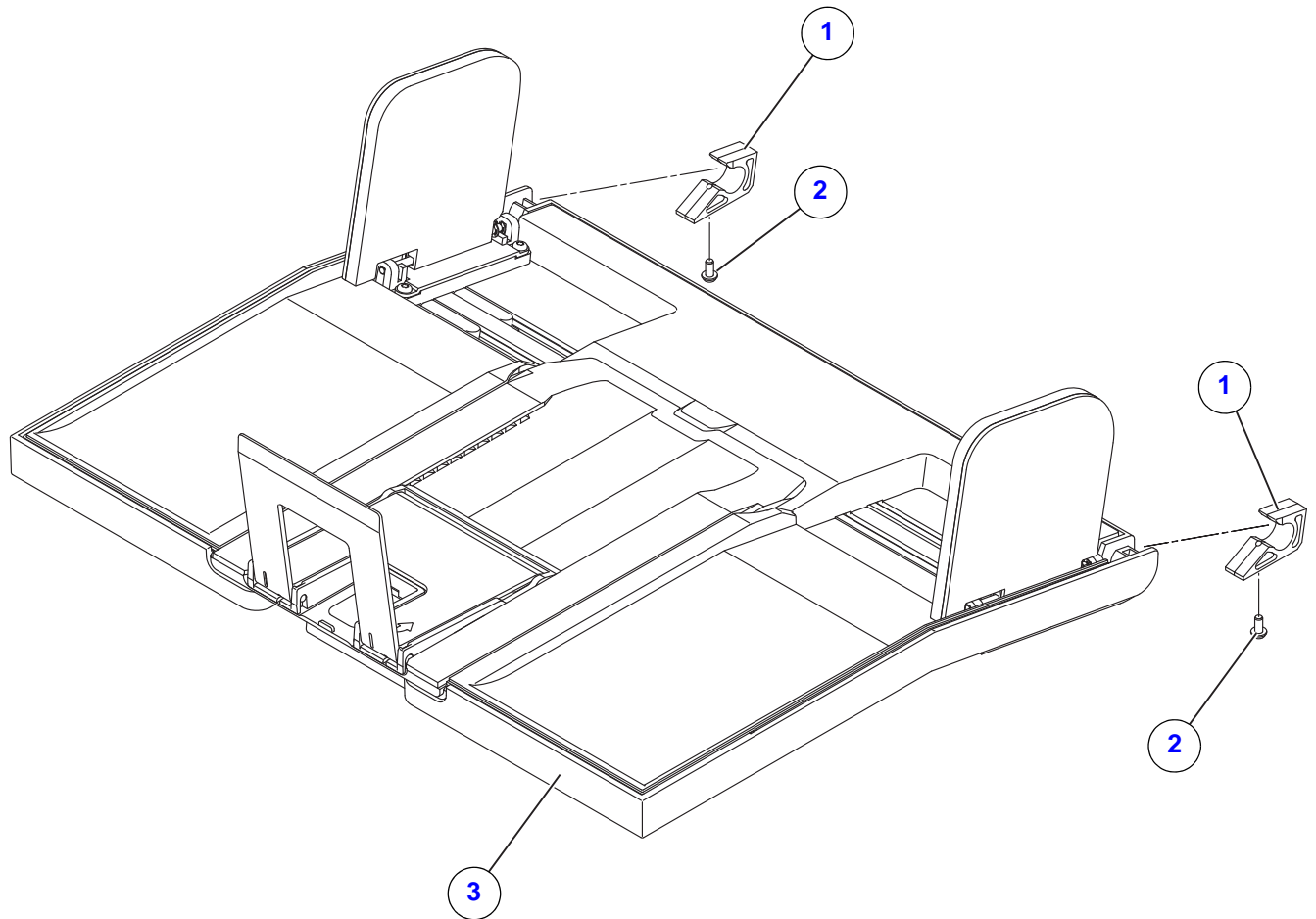
This equipment includes parts and assemblies sensitive to damage from electrostatic discharge. Use caution to prevent damage during all service procedures.

Table of Contents

Description	Page
Illustrated Parts List	3
OUTPUT TRAY AY	3
INPUT TRAY	4
COVERS and PANELS	5
LATCH AY	7
SCAN MODULE	8
LED and BACKGROUND	9
TRANSPORT AY, 1 of 4	10
TRANSPORT AY, 2 of 4	12
TRANSPORT AY, 3 of 4	13
TRANSPORT AY, 4 of 4	14
AUTOMATIC DOCUMENT FEEDER (ADF) AY - Upper	15
AUTOMATIC DOCUMENT FEEDER (ADF) AY - Lower	17
ELECTRICAL BOX - Upper	19
ELECTRICAL BOX - Lower	20
Miscellaneous Parts	21
Numerical Index	23
Alphabetical Index	27
Publication History	31

Section 1: Illustrated Parts List

Figure 1 OUTPUT TRAY AY

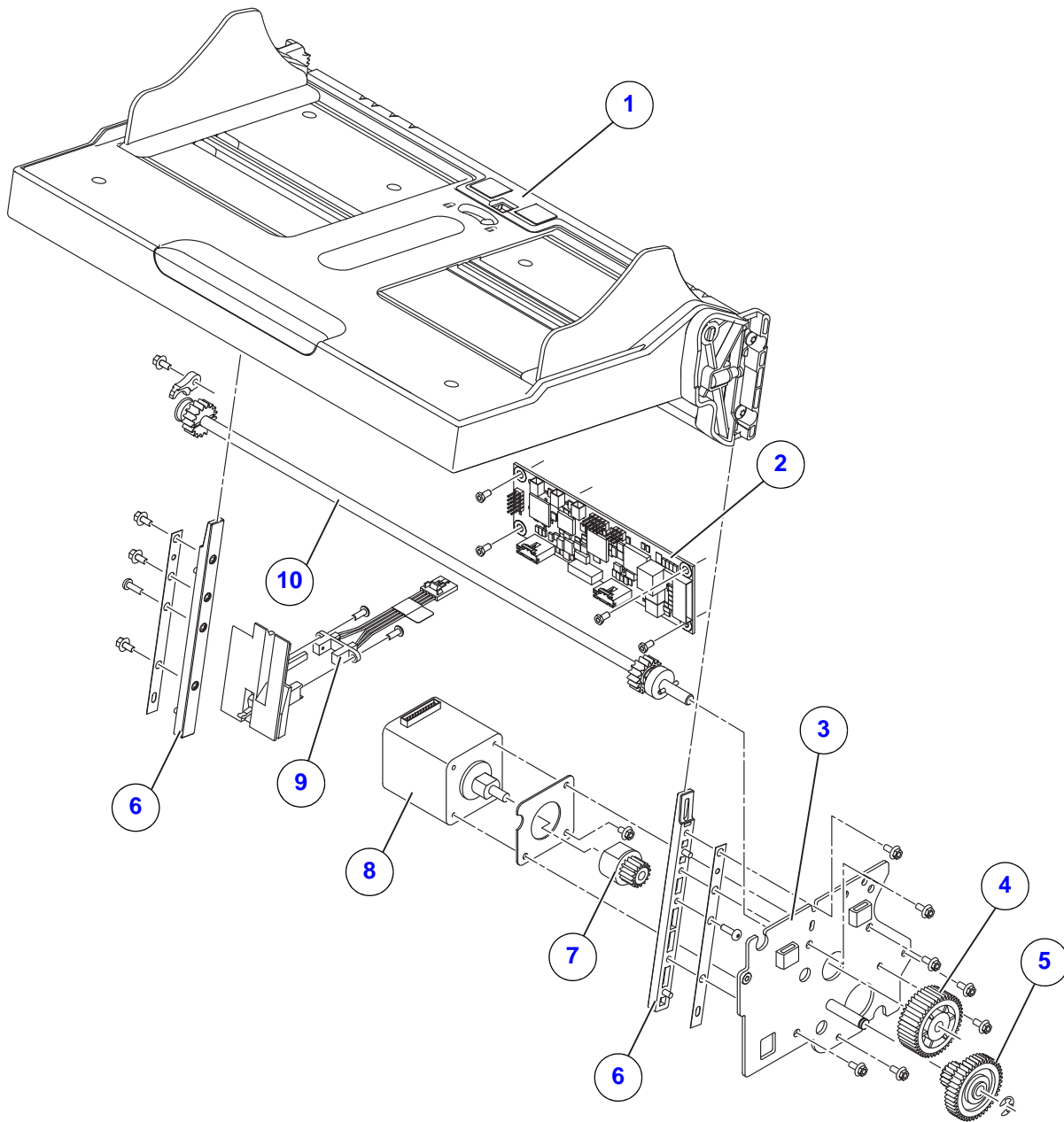


B191_1018DA

Figure 1 OUTPUT TRAY AY

Item	Part No.	Description	Quantity	Notes
1	8F8158	PIVOT MOUNT	2	
2	9E5638	SCREW - tapping, M3	1	
3	8F9525	OUTPUT TRAY AY - complete	1	

Figure 2 INPUT TRAY

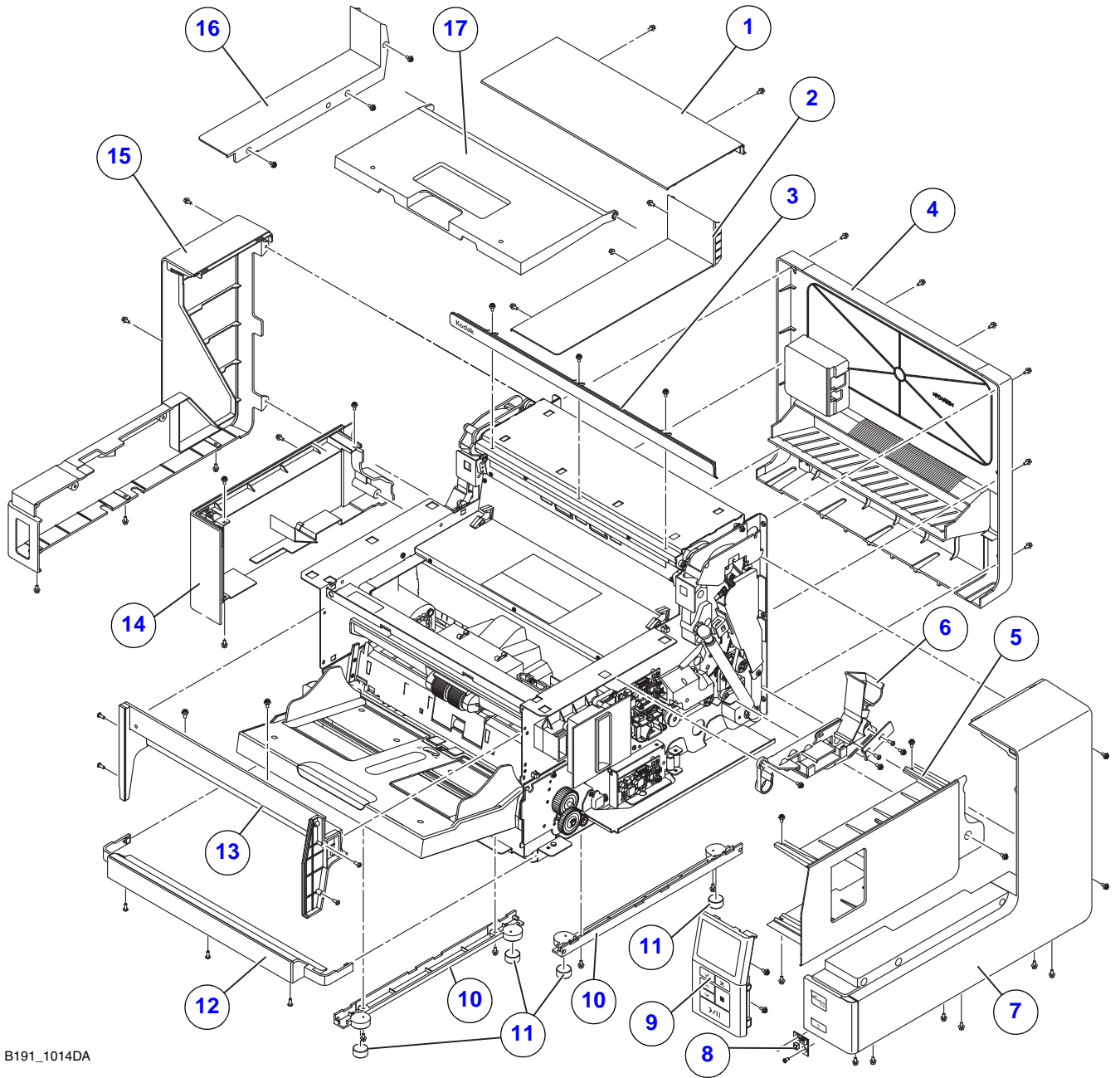


3191_1020DA

Figure 2 INPUT TRAY

Item	Part No.	Description	Quantity	Notes
1	9E8897	INPUT TRAY AY - complete	1	
2	5K1150	BOARD, elevator	1	
3	6J7973	PLATE - motor weldment	1	
4	8F9434	GEAR - top	1	
5	8F8111	GEAR - outside	1	
6	8F9911	RAIL - carriage	2	
7	5K3137	GEAR - elevator motor	1	
8	8F8294	MOTOR AY - elevator	1	
9	9E8927	SENSOR - HOME AY	1	
10	5K3134	CROSS SHAFT AY (ELEVATOR SHAFT)	1	

Figure 3 COVERS and PANELS

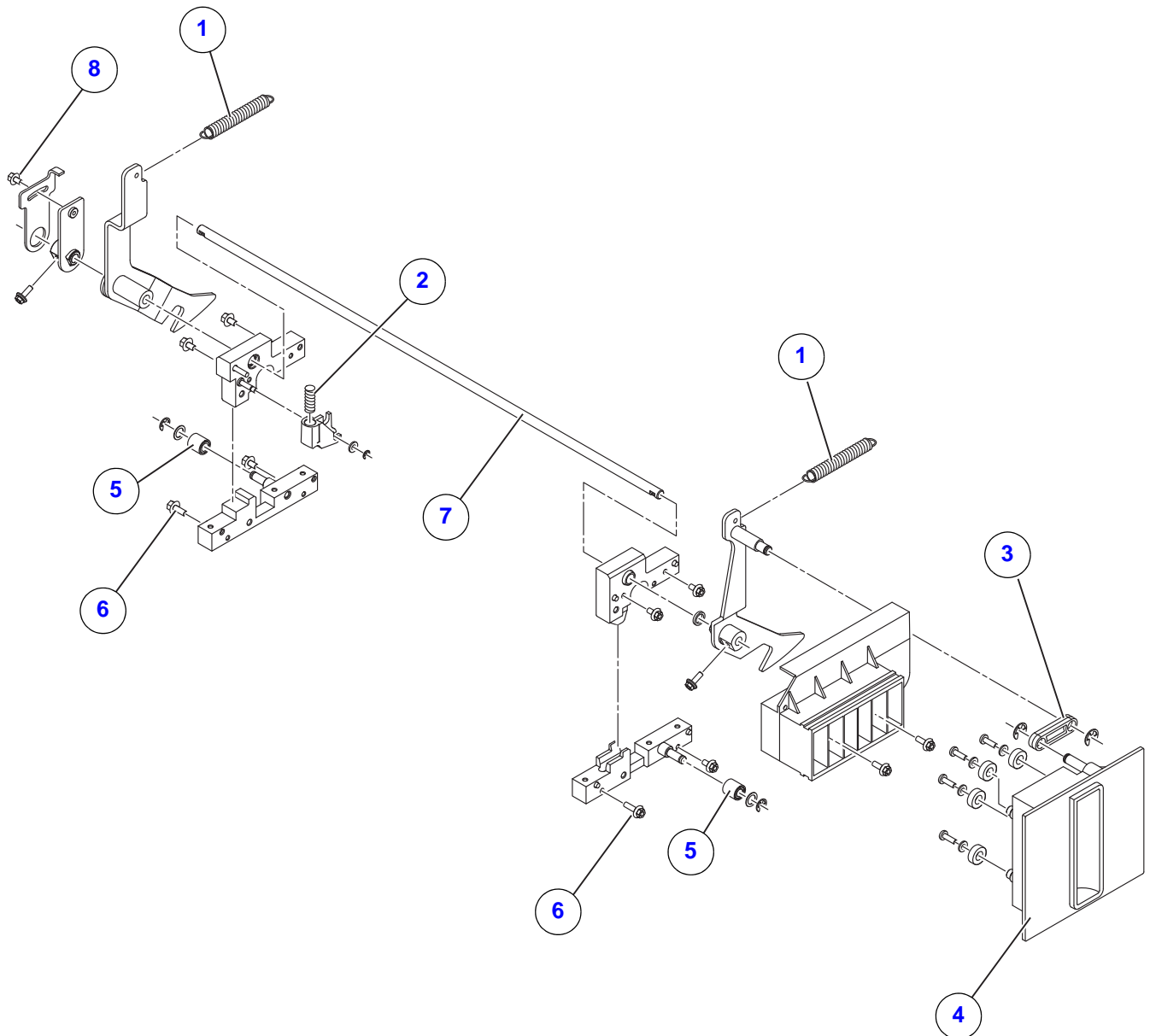


B191_1014DA

Figure 3 COVERS and PANELS

Item	Part No.	Description	Quantity	Notes
1	9E9566	COVER - main, top	1	
2	5K2718	COVER - pod, top right	1	
3	5K2751	COVER - main, front, i4250	1	
	5K2754	COVER - main, front, i4650	1	
	5K2756	COVER - main, front, i4850	1	
4	5K2430	COVER AY - ebox	1	
5	5K2719	COVER - pod, right	1	
6	5K2790	WIRING RETAINER, POD RH	1	
7	5K4330	COVER AY - main, right	1	
8	8F8390	BOARD - power on/off	1	
9	CP5K4652	OPERATOR CONTROL PANEL AY	1	
10	8F8095	COVER - base, side	1	
11	8CK222	FOOT BUMPER	1	
12	8F7963	COVER - base, front	1	
13	5K2723	SUPPORT DOOR AY	1	
14	9E9971	COVER AY - pod, left	1	
15	8F7795	COVER - main, left	1	
16	9E9975	COVER - pod, top left	1	
17	8F7917	DOOR AY - printer	1	

Figure 4 LATCH AY

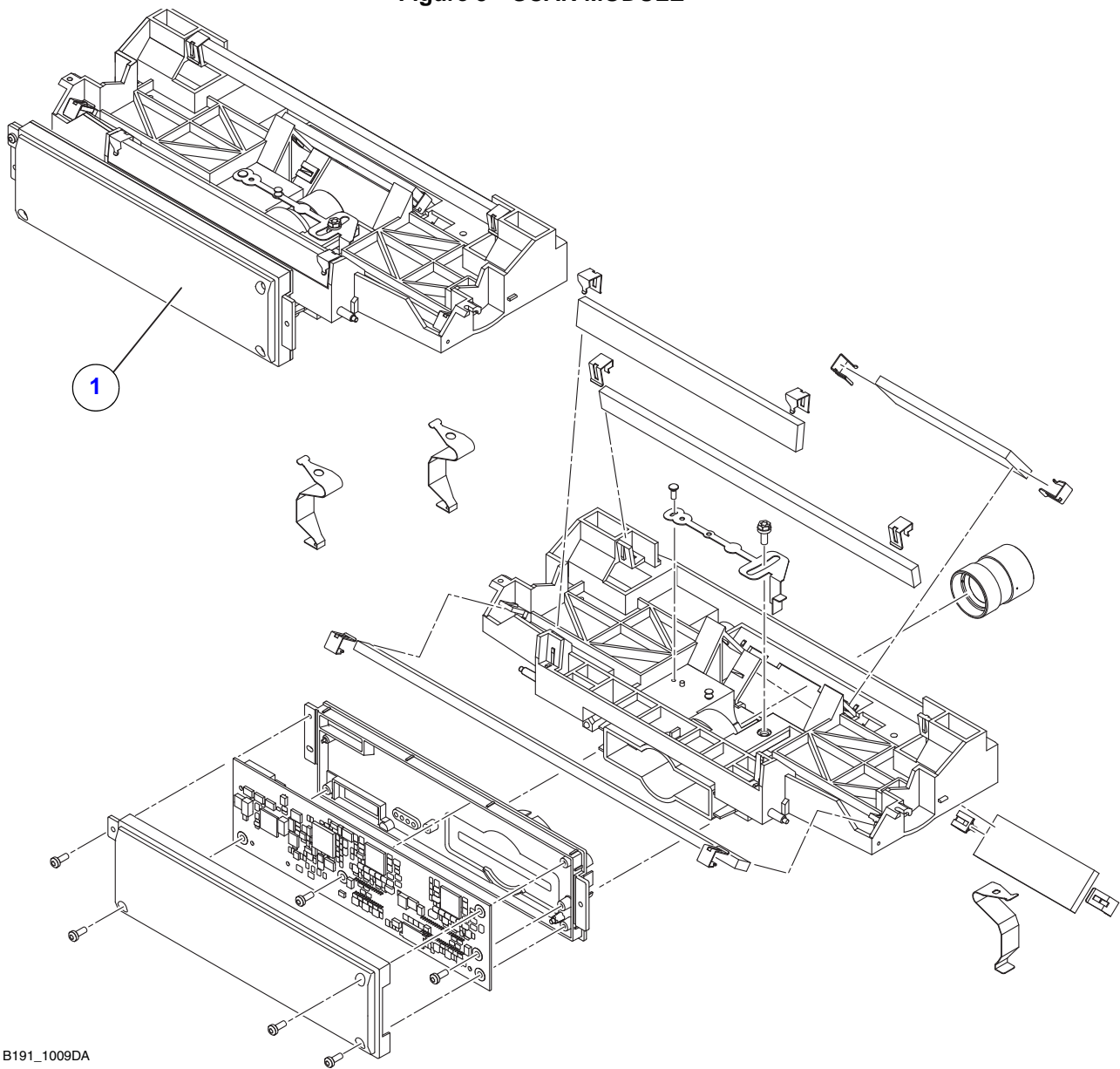


B191_1017DA

Figure 4 LATCH AY

Item	Part No.	Description	Quantity	Notes
1	9E9251	SPRING - extension	2	
2	3B2037	SPRING	1	
3	9E9234	LINK - release	1	
4	8F7803	HANDLE AY - latch	1	
5	5K3061	ROLLER AY - latch	2	
6	748354	SCREW, M3 x12	2	
7	9E9231	SHAFT RELEASE	1	
8	748353	SCREW, M3 x 6	1	

Figure 5 SCAN MODULE

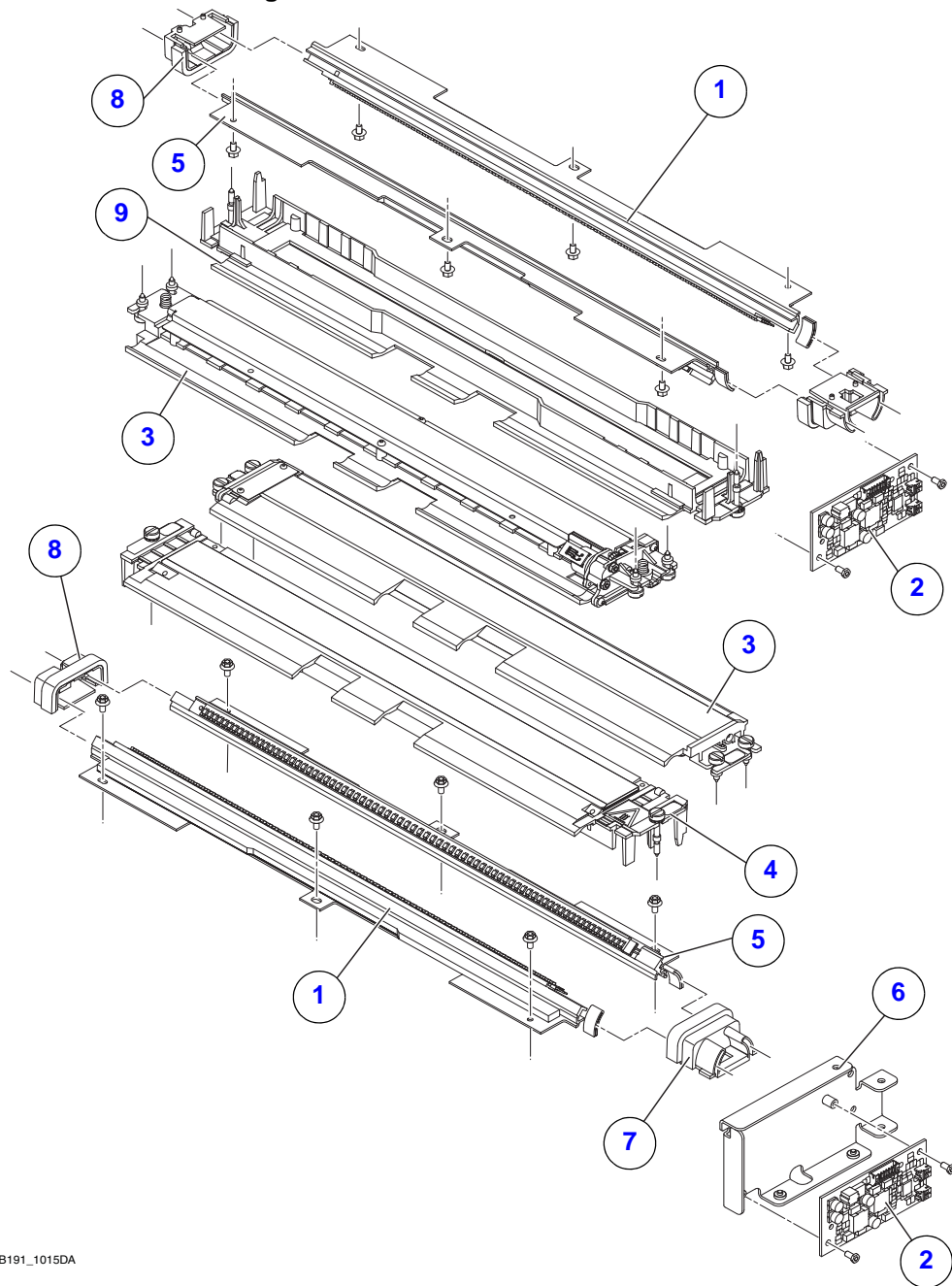


B191_1009DA

Figure 5 SCAN MODULE

Item	Part No.	Description	Quantity	Notes
1	5K0703	SCAN MODULE	2	

Figure 6 LED and BACKGROUND



B191_1015DA

Figure 6 LED and BACKGROUND


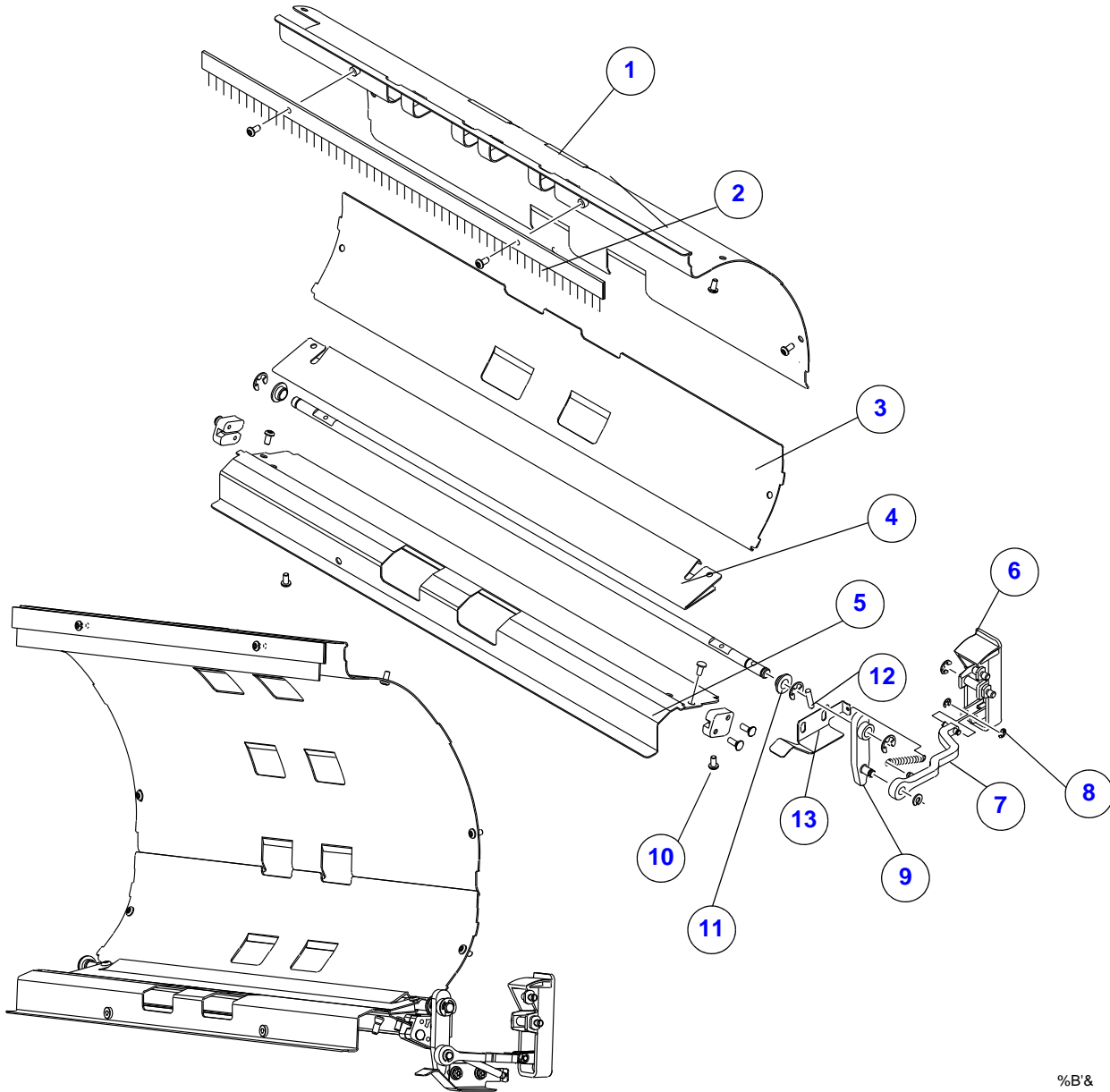
Item	Part No.	Description	Quantity	Notes
1	5K3121	LED - BAR AY - A	2	
2	5K4429	PRINTED CIRCUIT BOARD AY (PCBA) - LED DRIVER BOARD	2	
3	5K3164	BACKGROUND AY	2	
4	5K2686	IMAGING GUIDE - lower	1	
5	5K3122	LED - BAR AY - B	2	
6	5K3418	MOUNT - PLATE, LED DRIVER BOARD	1	
7	5K4098	ENDCAP ASSY - LED	2	
8	6J7069	ENDCAP AY - illumination	2	
9	5K2689	IMAGING GUIDE - upper	1	

Figure 7 TRANSPORT AY, 1 of 4

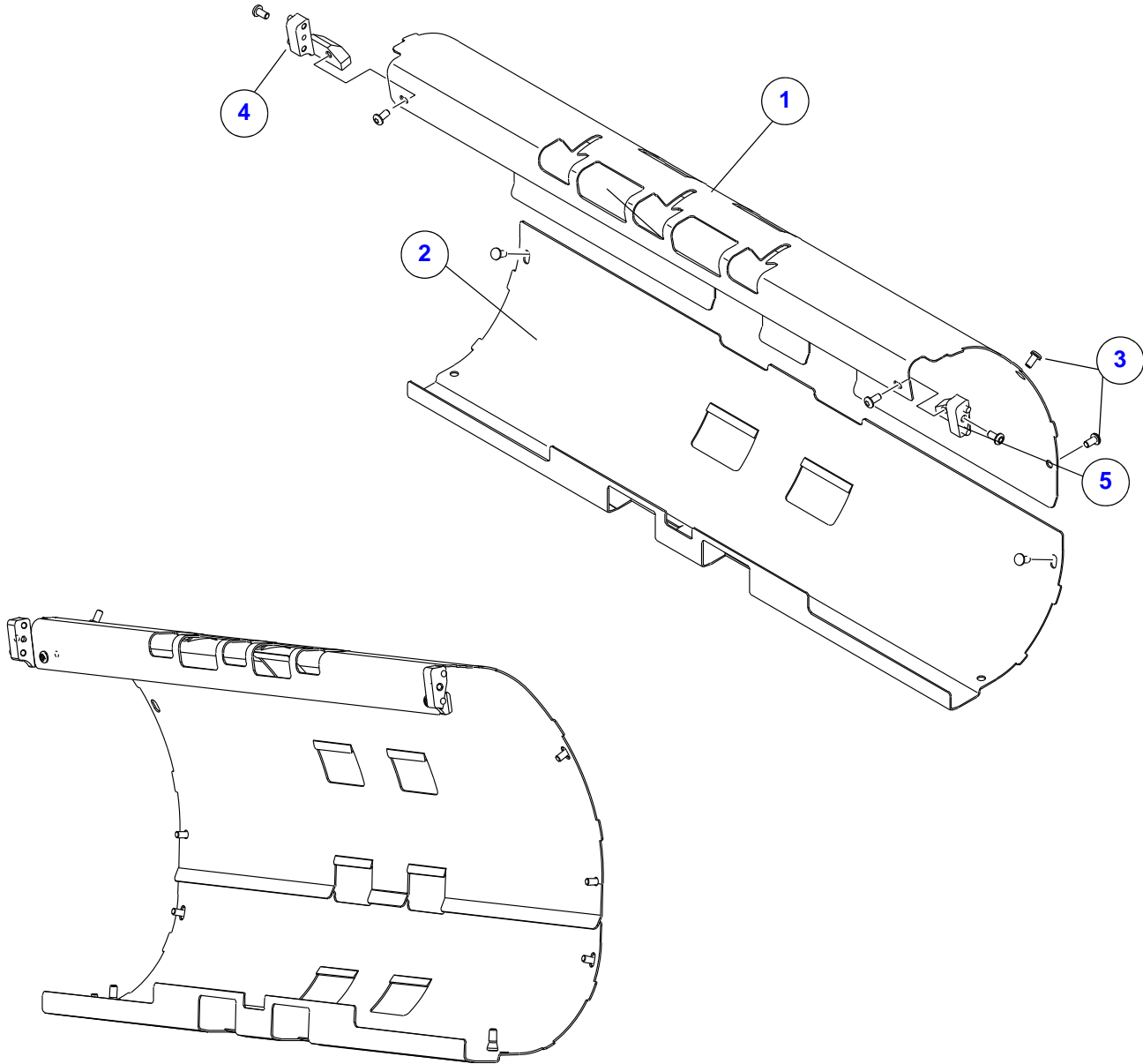


%B&

Figure 7 TRANSPORT AY, 1 of 4

Item	Part No.	Description	Quantity	Notes
1	8F9428	BAFFLE - upper	1	
2	8F9430	BRUSH - static elimination	1	
3	9E7888	BAFFLE - lower, rear	1	
4	9E8351	DIVERTER AY	1	Includes the SHAFT.
5	9E8797	BAFFLE - lower, straight exit	1	
6	9E8802	ACTUATOR (GAP RELEASE LEVER) - diverter	1	
7	9E8798	LINK DIVERTER	1	
8	9E8799	PIN LINK - diverter	1	
9	9E8354	ACTUATOR (GAP RELEASE LEVER) - arm, diverter	1	
10	7J4099	SCREW - hex, M3	6	
11	7E0732	FLANGE	2	
12	7E7019	DOWEL, M3 X 14	1	
13	9E9765	SPRING - detent, diverter	1	

Figure 8 TRANSPORT AY, 2 of 4

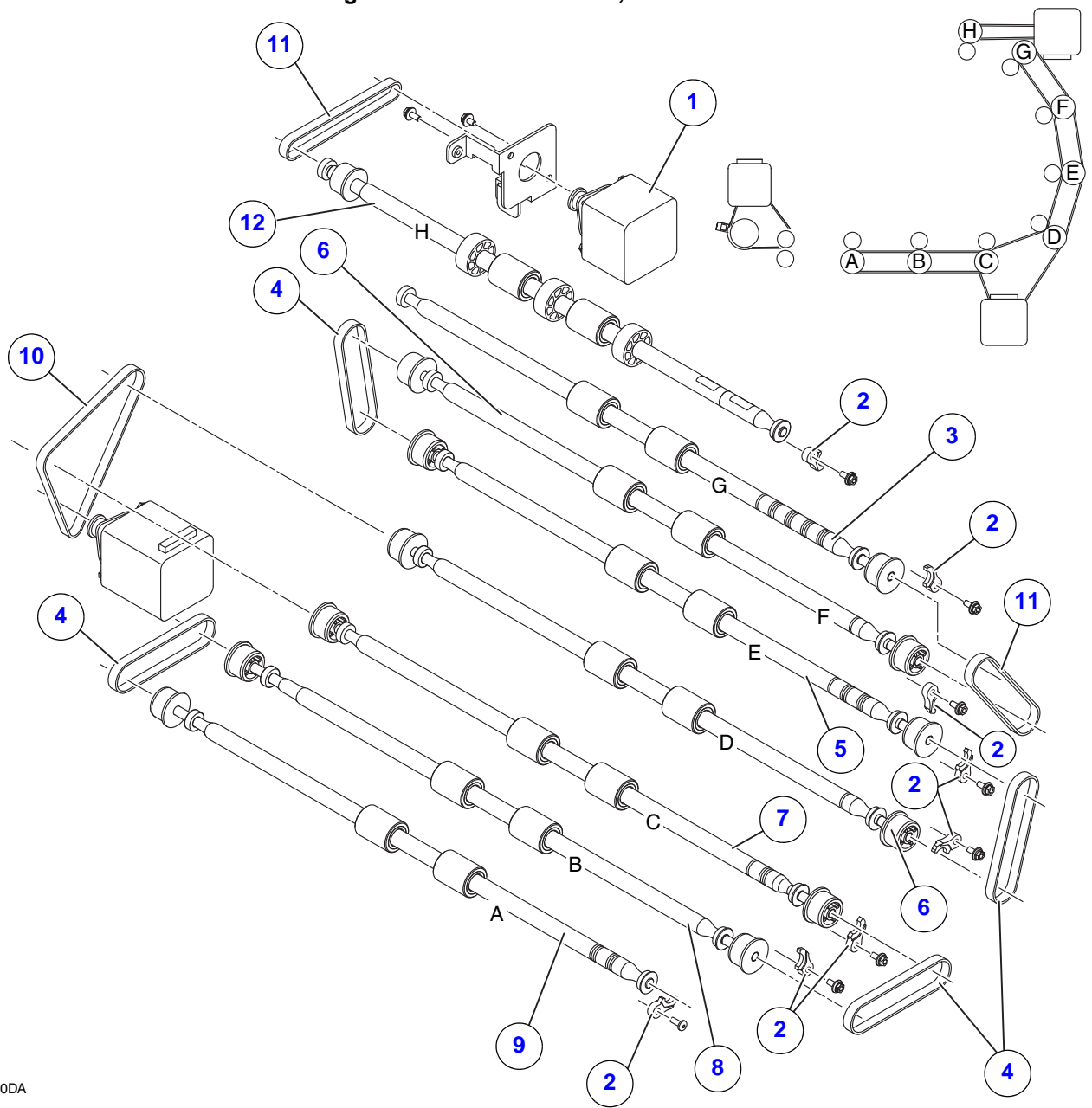


%B&

Figure 8 TRANSPORT AY, 2 of 4

Item	Part No.	Description	Quantity	Notes
1	8F9747	BAFFLE - pod, upper	1	
2	9E7889	BAFFLE - pod, rear	1	
3	5F7967	SCREW - hex, M3	6	
4	8F9751	MOUNT - block, pod baffle, left	1	
5	8F9750	MOUNT - block, pod baffle, right	1	

Figure 9 TRANSPORT AY, 3 of 4

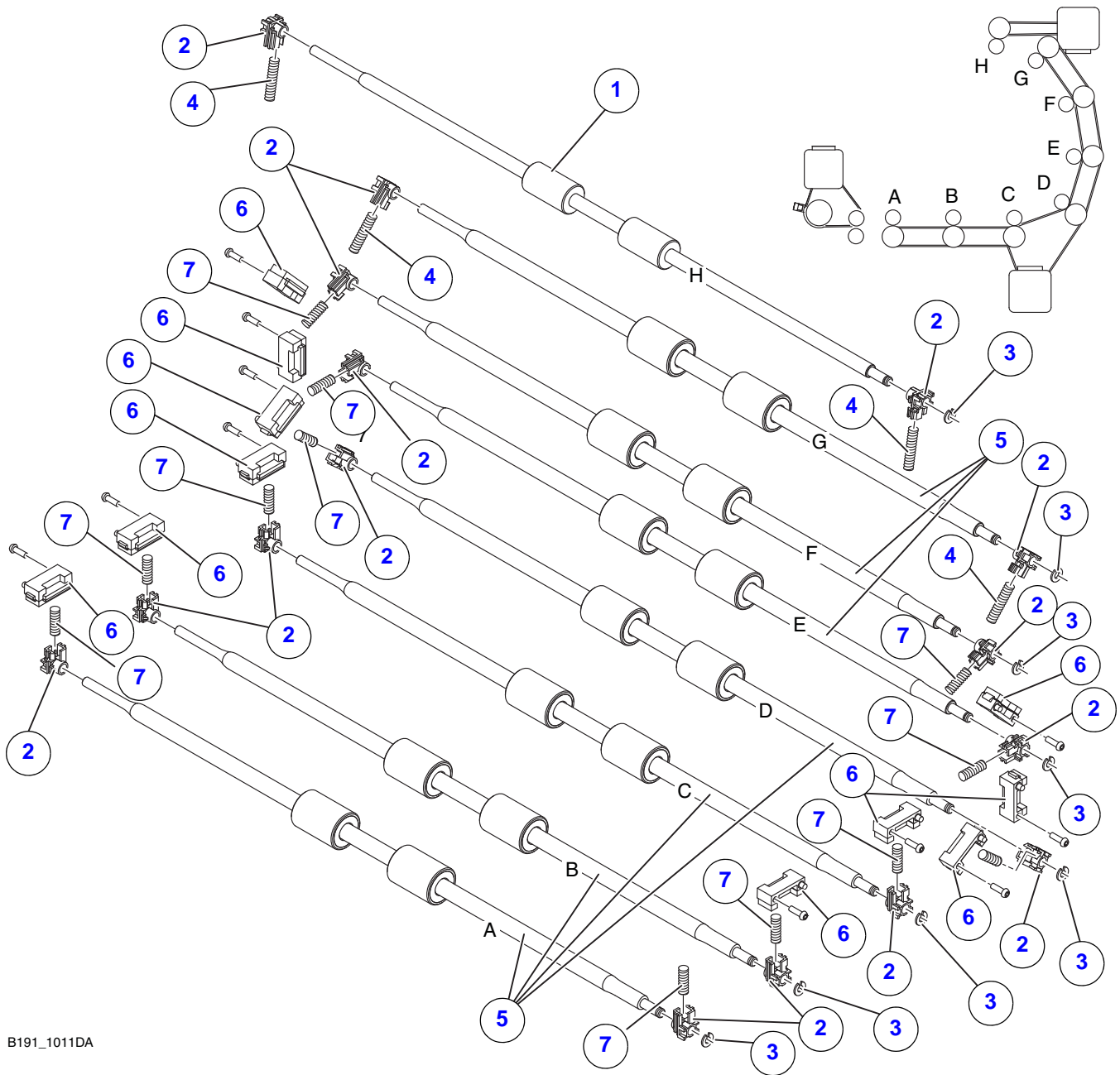


B191_1010DA

Figure 9 TRANSPORT AY, 3 of 4

Item	Part No.	Description	Quantity	Notes
1	5K2414	MOTOR - exit	1	
2	9E9796	BEARING - retainer	8	
3	5K2401	SHAFT AY - drive, dark brown	1	
4	9E4089	BELT - timing, 91T	5	
5	5K2405	SHAFT AY - drive, green	1	
6	5K2404	SHAFT AY - drive, orange	2	
7	5K2403	SHAFT AY - drive, black	1	
8	5K2399	SHAFT AY - drive	1	
9	5K2402	SHAFT AY - drive, yellow	1	
10	9E8208	BELT - timing, 132T	1	
11	9E8245	BELT - timing, 99T	1	
12	5K3883	SHAFT AY - exit	1	

Figure 10 TRANSPORT AY, 4 of 4

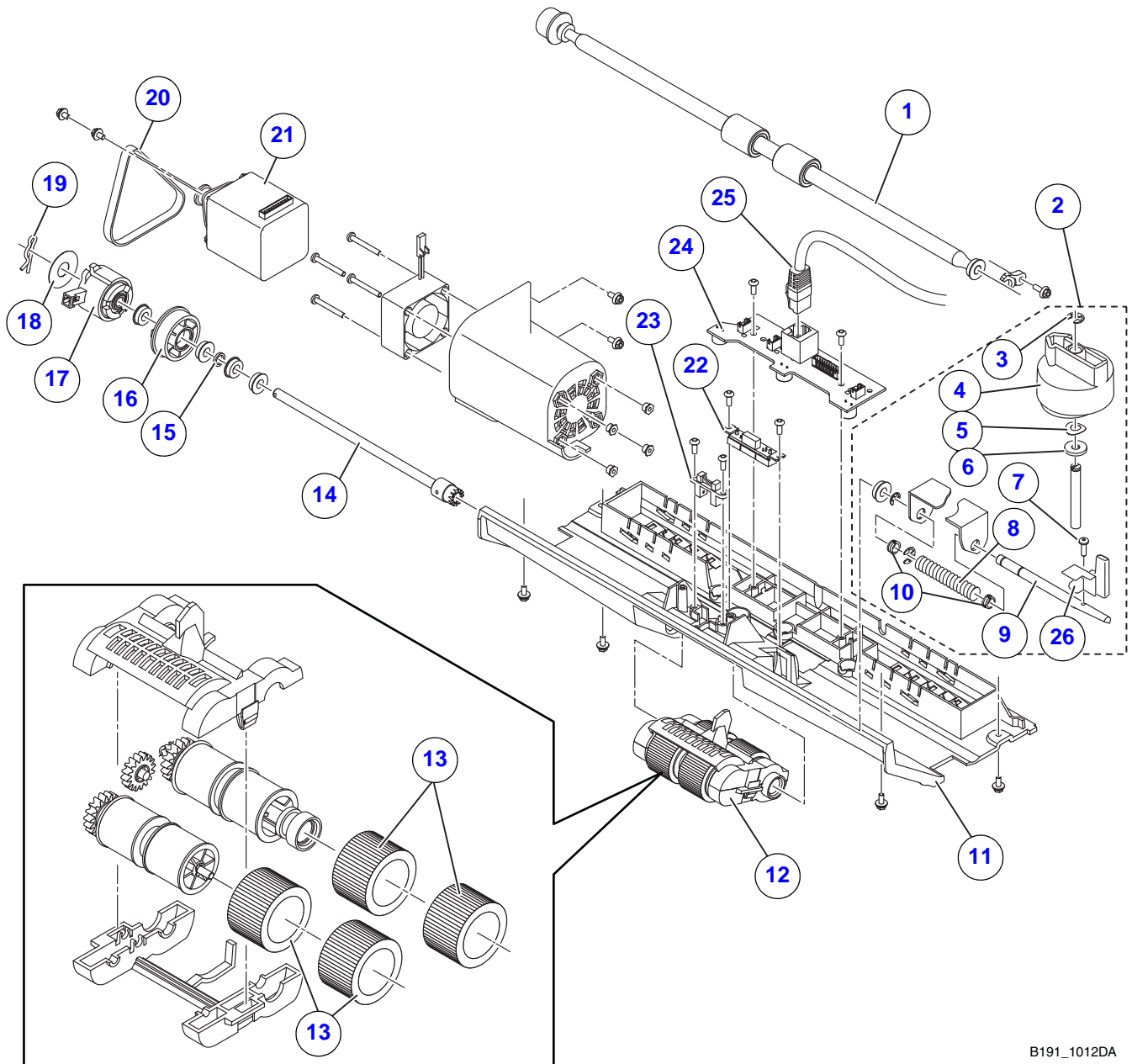


B191_1011DA

Figure 10 TRANSPORT AY, 4 of 4

Item	Part No.	Description	Quantity	Notes
1	5K2395	SHAFT AY - NFR, exit		
2	6E6544	END BLOCK - bearing	16	A - H
3	6E6559	CLIP - retainer, NFR, bearing	8	
4	7J3841	SPRING - compression	4	
5	5K2396	SHAFT AY - NFR	7	
6	9E8932	DUST COVERS	11	
7	3C9239	SPRING - compression	12	B - F

Figure 11 AUTOMATIC DOCUMENT FEEDER (ADF) AY - Upper

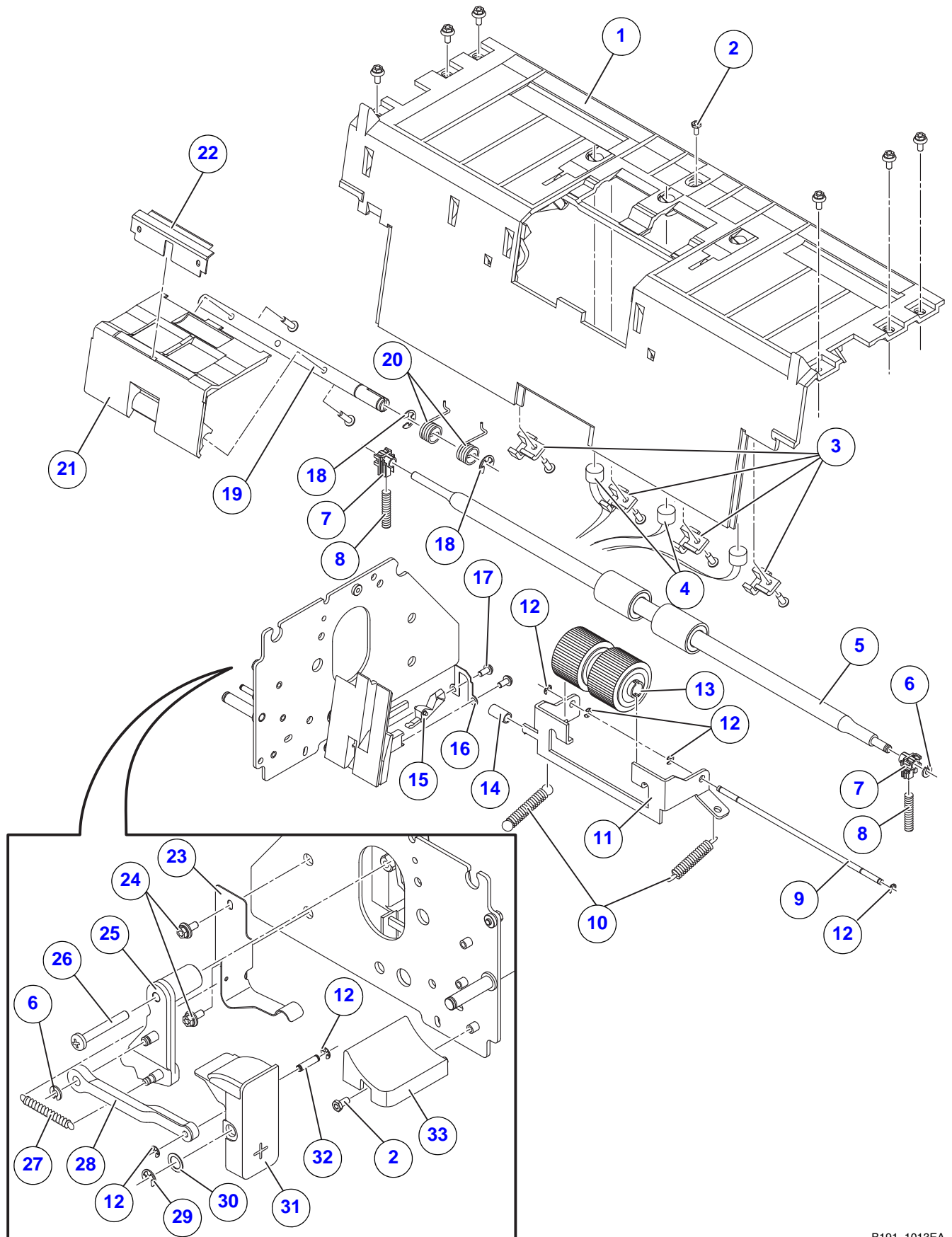


B191_1012DA

Figure 11 AUTOMATIC DOCUMENT FEEDER (ADF) AY - Upper

Item	Part No.	Description	Quantity	Notes
1	5K2393	DRIVE SHAFT AY - takeaway	1	
2	5K2881	FEEDER - release	1	
3	243359	RETAINING RING	2	
4	9E9437	FEED MODULE RELEASE KNOB	1	
5	9E9778	WASHER - crescent	1	
6	9E9779	WASHER - flat	1	
7	273423	SCREW - pan head	4	
8	9E9441	SPRING	1	
9	9E9439	SHAFT - feeder release	1	
10	8F8358	BEARING	2	
11	5K4217	BAFFLE - upper, ADF with airedale A	1	
12	5K0587	MODULE - feed, wide urging	1	
13	6E6622	TIRE - feed	4	
14	5K2877	SHAFT AY - drive, feeder	1	
15	243236	WASHER	1	
16	9E8865	PULLEY - feeder	1	
17	5E4420	CLUTCH	1	
18	149728	WASHER	1	
19	4C8498	PIN - HITCH, clutch drive	1	
20	9E8861	BELT - timing, 107T	1	
21	5K2174	MOTOR - drive	2	
22	5K4388	SENSOR - S0	1	
23	9E5352	SENSOR - stackup	1	
24	5K3316	PRINTED CIRCUIT BOARD AY (PCBA) - Ultrasonic Document Detection System (UDDS) receiver	1	
25	3E9197	RECEIVER - upper - Ultrasonic Document Detection System (UDDS)	1	
26	5K4044	SLIDE RELEASE	1	

Figure 12 AUTOMATIC DOCUMENT FEEDER (ADF) AY - Lower



B191_1013EA

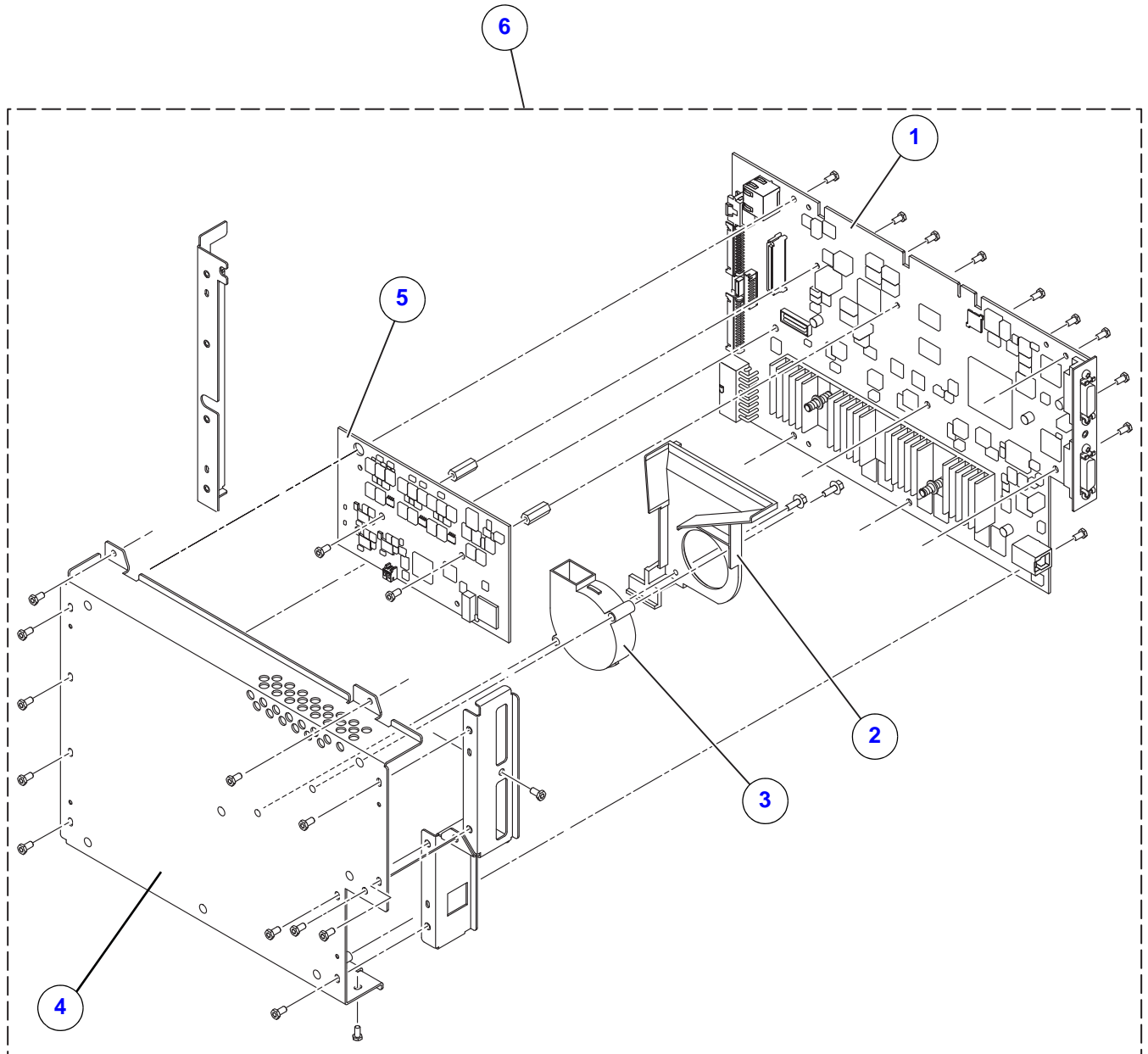
Figure 12 AUTOMATIC DOCUMENT FEEDER (ADF) AY - Lower

Item	Part No.	Description	Quantity	Notes
1	8F9868	BAFFLE - lower, ADF	1	
2	7J4099	SCREW - hex, M3	5	
3	8F7847	RETAINER - Ultrasonic Document Detection System (UDDS)	4	
4	5E4635	HARNESS - sensor, transmitter	3	
5	5K2391	ROLLER - takeaway normal force	1	
6	6E6559	CLIP - retainer, NFR, bearing	1	
7	6E6544	END BLOCK - bearing	16	
8	7J3840	SPRING - compression	2	
9	5K1836	SHAFT - pivot, separation	1	
10	3E9567	SPRING - ext, separation roller	2	
11	9E8490	BRACKET - roller, separation	1	
12	315219	E-RING - M3	1	
13	9E7631	SEPARATION ROLLER AY - includes tires	1	
14	9E9746	TUBE - gap release	1	
15	8F8027	FLAG - elevator home	1	
16	6J7892	RETAINER - flag, sensor	1	
17	9E5638	SCREW - tapping, M3	2	
18	243359	E-RING - M6	2	
19	9E8873	SHAFT - door, separation roller	1	
20	9E8874	SPRING - torsion	2	
21	5K1637	DOOR - access, separation roller	1	
22	6J7243	PAD AY - pre-separation	1	
23	7J3970	LEVER - gap release	1	
24	981710	SCREW - M3 x 0.5 x 8	7	
25	9E8810	ACTUATOR (GAP RELEASE LEVER) - arm, separator roller	1	
26	1E3046	SCREW - <i>Phillips</i> , M4	1	
27	7E0733	SPRING	1	
28	9E8808	ACTUATOR ((GAP RELEASE LEVER) - link	1	
29	315220	E-RING - M5	2	
30	5E4889	WASHER	2	
31	9E8807	ACTUATOR (GAP RELEASE LEVER) - separator roller	1	
32	9E8799	PIN LINK - diverter	1	
33	8F8035	COVER - actuator, lower	1	

Caution

The BOARDS contain lead. Use local environmental requirements to discard the parts.

Figure 13 ELECTRICAL BOX - Upper

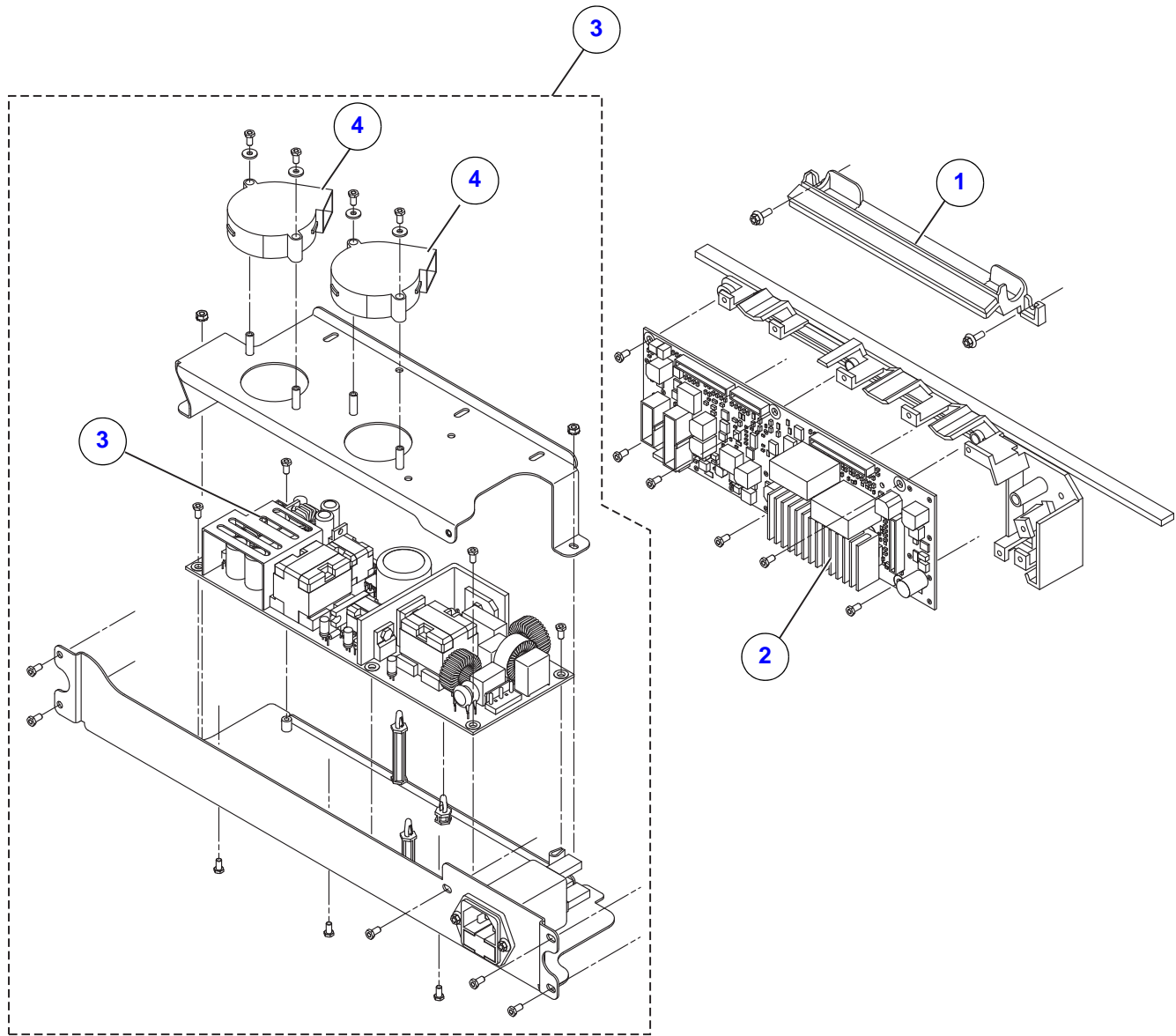


B191_1016DA

Figure 13 ELECTRICAL BOX - Upper

Item	Part No.	Description	Quantity	Notes
1	5K4461	PRINTED CIRCUIT BOARD AY (PCBA) - controller, dual core	1	
2	5K2770	DUCT - blower	1	
3	8F7974	FAN AY	1	Includes 2 FANS.
4	5K2766	COVER - ELECTRONIC BOX	1	
5	5K3478	PRINTED CIRCUIT BOARD AY (PCBA) - daughter, controller	1	
6	5K2428	ELECTRONIC BOX - complete AY	1	

Figure 14 ELECTRICAL BOX - Lower

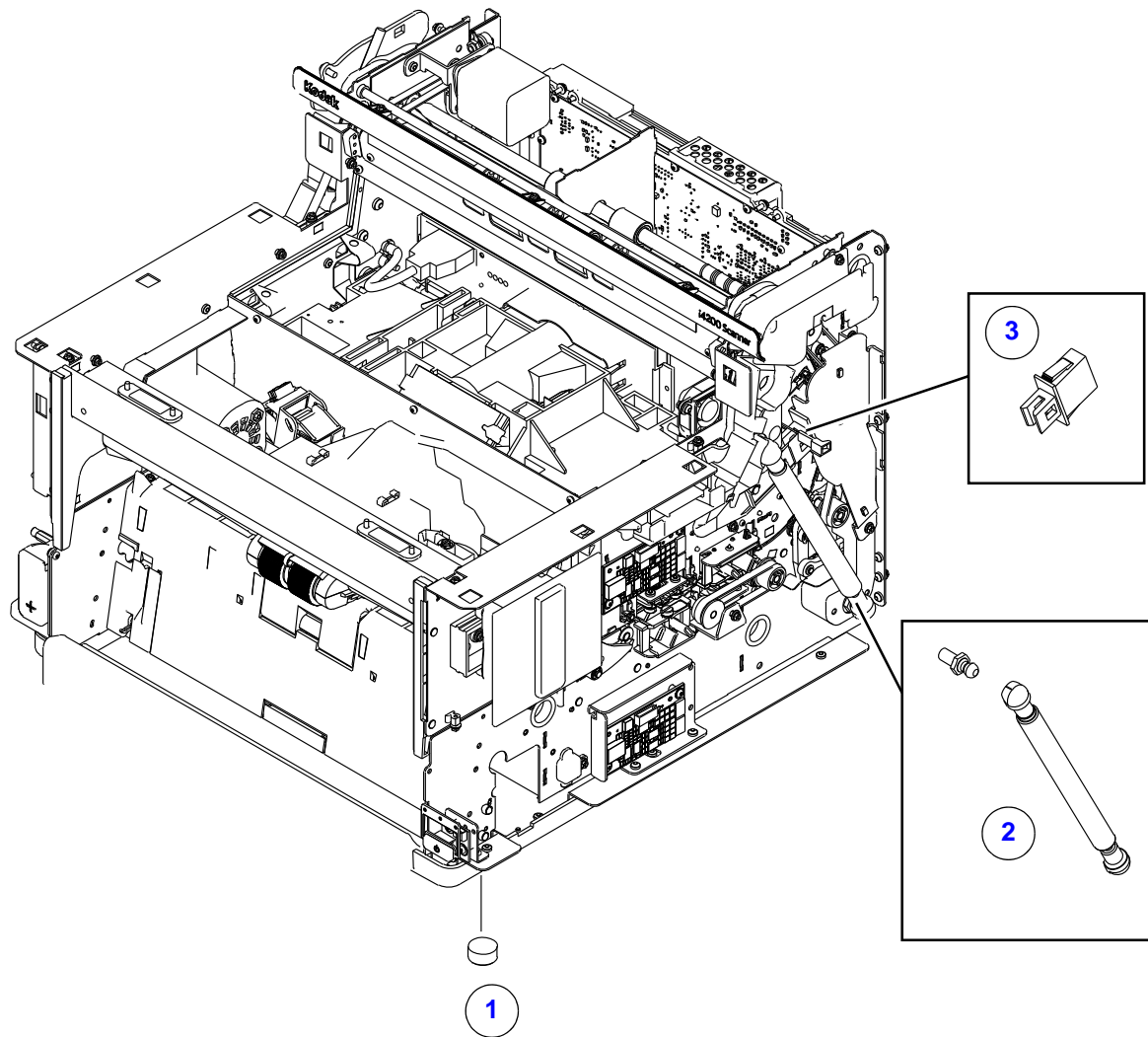


B191_1019DA

Figure 14 ELECTRICAL BOX - Lower

Item	Part No.	Description	Quantity	Notes
1	9E9923	STAPLE SHIELD	1	
2	5K3704	BOARD AY - PDMD	1	
3	8F8272	ELECTRONIC BOX - lower, complete with the power supply	1	
4	8F7974	FAN AY	1	Includes 2 FANS.

Figure 15 Miscellaneous Parts



%B/(&

Figure 15 Miscellaneous Parts

Item	Part No.	Description	Quantity	Notes
1	8CK222	FOOT BUMPER	1	
2	8F9635	GAS SHOCK	4	
3	1E8949	INTERLOCK SWITCH	1	
---	315220	E-RING	1	Not visible in graphic.
---	8F9434	GEAR	1	Not visible in graphic.
---	8F9494	SHAFT - cross	1	Not visible in graphic.
---	9E5636	SCREW - tapping, m2.5 X 8	1	Not visible in graphic.
---	9E5638	SCREW - tapping, M3	1	Not visible in graphic.
---	9E8891	CLIP - camera	1	Not visible in graphic.
---	9E8927	SENSOR - home	1	Not visible in graphic.
---	981710	SCREW - M3 x 0.5 x 8	1	Not visible in graphic.
---	7E9439	CABLE - video, UL	1	Not visible in graphic.

ILLUSTRATED PARTS LIST

Item	Part No.	Description	Quantity	Notes
---	8F7958	HARNESS - pod, camera, power	1	Not visible in graphic.
---	9E9312	HARNESS - retainer	1	Not visible in graphic.
---	5K3198	HARNESS - back, LED	1	Not visible in graphic.
---	5K2887	HARNESS - pod, data	1	Not visible in graphic.
---	8F9588	HARNESS - front, interlock	1	Not visible in graphic.
---	5K3197	HARNESS - pod, power, LED	1	Not visible in graphic.
---	9E3568	HARNESS - USB	1	Not visible in graphic.
---	9E8595	HARNESS - power, controller	1	Not visible in graphic.
---	9E8599	HARNESS - power supply, DC	1	Not visible in graphic.
---	5K3278	HARNESS - interim, background, motor	1	Not visible in graphic.
---	5K2994	HARNESS - front end, data	1	Not visible in graphic.
---	9E7004	TARGET - mechanical, image calibration	1	Not visible in graphic.
---	8F9578	AC POWER	1	Not visible in graphic.
---	3E9198	CABLE, printer	1	Not visible in graphic.
---	7J4442	MICROPHONE, Intelligent Document Protection	1	Not visible in graphic.
---	5K4301	HARNESS - STAPLE DETECT, Base	1	Not visible in graphic.
---	5K4302	HARNESS - STAPLE, Detection 2	1	Not visible in graphic.
---	5K4221	DANGLER - Long - i4x50	1	Not visible in graphic.
---	5K4222	DANGLER - Short - i4x50	1	Not visible in graphic.
---	5K4126	DANGLER - Mount - i4x50	1	Not visible in graphic.

Section 2: Numerical Index

Numerical Index

Part No.	Description	Figure No.
3E9198	CABLE, printer	15
7J4442	MICROPHONE, Intelligent Document Protection	15
8F9578	AC POWER	15
149728	WASHER	11
1E3046	SCREW - <i>Phillips</i> , M4	12
1E8949	INTERLOCK SWITCH	15
243236	WASHER	11
243359	E-RING - M6	12
243359	RETAINING RING	11
273423	SCREW - pan head	11
315219	E-RING - M3	12
315220	E-RING	15
315220	E-RING - M5	12
3B2037	SPRING	4
3C9239	SPRING - compression	10
3E9197	RECEIVER - upper - Ultrasonic Document Detection System (UDDS)	11
3E9567	SPRING - ext, separation roller	12
4C8498	PIN - HITCH, clutch drive	11
5E4420	CLUTCH	11
5E4635	HARNESS - sensor, transmitter	12
5E4889	WASHER	12
5F7967	SCREW - hex, M3	8
5K0587	MODULE - feed, wide urging	11
5K0703	SCAN MODULE	5
5K1150	BOARD, elevator	2
5K1637	DOOR - access, separation roller	12
5K1836	SHAFT - pivot, separation	12
5K2174	MOTOR - drive	11
5K2391	ROLLER - takeaway normal force	12
5K2393	DRIVE SHAFT AY - takeaway	11
5K2395	SHAFT AY - NFR, exit	10
5K2396	SHAFT AY - NFR	10
5K2399	SHAFT AY - drive	9
5K2401	SHAFT AY - drive, dark brown	9
5K2402	SHAFT AY - drive, yellow	9
5K2403	SHAFT AY - drive, black	9
5K2404	SHAFT AY - drive, orange	9
5K2405	SHAFT AY - drive, green	9
5K2414	MOTOR - exit	9
5K2428	ELECTRONIC BOX - complete AY	13
5K2430	COVER AY - ebox	3
5K2686	IMAGING GUIDE - lower	6
5K2689	IMAGING GUIDE - upper	6
5K2718	COVER - pod, top right	3
5K2719	COVER - pod, right	3
5K2723	SUPPORT DOOR AY	3

ILLUSTRATED PARTS LIST

Numerical Index		
Part No.	Description	Figure No.
5K2751	COVER - main, front, i4250	3
5K2754	COVER - main, front, i4650	3
5K2756	COVER - main, front, i4850	3
5K2766	COVER - ELECTRONIC BOX	13
5K2770	DUCT - blower	13
5K2790	WIRING RETAINER, POD RH	3
5K2877	SHAFT AY - drive, feeder	11
5K2881	FEEDER - release	11
5K2887	HARNESS - pod, data	15
5K2994	HARNESS - front end, data	15
5K3061	ROLLER AY - latch	4
5K3121	LED - BAR AY - A	6
5K3122	LED - BAR AY - B	6
5K3134	CROSS SHAFT AY (ELEVATOR SHAFT)	2
5K3137	GEAR - elevator motor	2
5K3164	BACKGROUND AY	6
5K3197	HARNESS - pod, power, LED	15
5K3198	HARNESS - back, LED	15
5K3278	HARNESS - interim, background, motor	15
5K3316	PRINTED CIRCUIT BOARD AY (PCBA) - Ultrasonic Document Detection System (UDDS) receiver	11
5K3418	MOUNT - PLATE, LED DRIVER BOARD	6
5K3478	PRINTED CIRCUIT BOARD AY (PCBA) - daughter, controller	13
5K3704	BOARD AY - PDMD	14
5K3883	SHAFT AY - exit	9
5K4044	SLIDE RELEASE	11
5K4098	ENDCAP ASSY - LED	6
5K4126	DANGLER - Mount - i4x50	15
5K4217	BAFFLE - upper, ADF with airedale A	11
5K4221	DANGLER - Long - i4x50	15
5K4222	DANGLER - Short - i4x50	15
5K4301	HARNESS - STAPLE DETECT, Base	15
5K4302	HARNESS - STAPLE, Detection 2	15
5K4330	COVER AY - main, right	3
5K4388	SENSOR - S0	11
5K4429	PRINTED CIRCUIT BOARD AY (PCBA) - LED DRIVER BOARD	6
5K4461	PRINTED CIRCUIT BOARD AY (PCBA) - controller, dual core	13
6E6544	END BLOCK - bearing	10, 12
6E6559	CLIP - retainer, NFR, bearing	10, 12
6E6622	TIRE - feed	11
6J7069	ENDCAP AY - illumination	6
6J7243	PAD AY - pre-separation	12
6J7892	RETAINER - flag, sensor	12
6J7973	PLATE - motor weldment	2
748353	SCREW, M3 x 6	4
748354	SCREW, M3 x12	4
7E0732	FLANGE	7
7E0733	SPRING	12

Numerical Index

Part No.	Description	Figure No.
7E7019	DOWEL, M3 X 14	7
7E9439	CABLE - video, UL	15
7J3840	SPRING - compression	12
7J3841	SPRING - compression	10
7J3970	LEVER - gap release	12
7J4099	SCREW - hex, M3	12, 7
8CK222	FOOT BUMPER	15, 3
8F7795	COVER - main, left	3
8F7803	HANDLE AY - latch	4
8F7847	RETAINER - Ultrasonic Document Detection System (UDDS)	12
8F7917	DOOR AY - printer	3
8F7958	HARNESS - pod, camera, power	15
8F7963	COVER - base, front	3
8F7974	FAN AY	13, 14
8F8027	FLAG - elevator home	12
8F8035	COVER - actuator, lower	12
8F8095	COVER - base, side	3
8F8111	GEAR - outside	2
8F8158	PIVOT MOUNT	1
8F8272	ELECTRONIC BOX - lower, complete with the power supply	14
8F8294	MOTOR AY - elevator	2
8F8358	BEARING	11
8F8390	BOARD - power on/off	3
8F9428	BAFFLE - upper	7
8F9430	BRUSH - static elimination	7
8F9434	GEAR	15
8F9434	GEAR - top	2
8F9494	SHAFT - cross	15
8F9525	OUTPUT TRAY AY - complete	1
8F9588	HARNESS - front, interlock	15
8F9635	GAS SHOCK	15
8F9747	BAFFLE - pod, upper	8
8F9750	MOUNT - block, pod baffle, right	8
8F9751	MOUNT - block, pod baffle, left	8
8F9868	BAFFLE - lower, ADF	12
8F9911	RAIL - carriage	2
981710	SCREW - M3 x 0.5 x 8	12, 15
9E3568	HARNESS - USB	15
9E4089	BELT - timing, 91T	9
9E5352	SENSOR - stackup	11
9E5636	SCREW - tapping, m2.5 X 8	15
9E5638	SCREW - tapping, M3	1, 12, 15
9E7004	TARGET - mechanical, image calibration	15
9E7631	SEPARATION ROLLER AY - includes tires	12
9E7888	BAFFLE - lower, rear	7
9E7889	BAFFLE - pod, rear	8
9E8208	BELT - timing, 132T	9
9E8245	BELT - timing, 99T	9

Numerical Index

Part No.	Description	Figure No.
9E8351	DIVERTER AY	7
9E8354	ACTUATOR (GAP RELEASE LEVER) - arm, diverter	7
9E8490	BRACKET - roller, separation	12
9E8595	HARNESS - power, controller	15
9E8599	HARNESS - power supply, DC	15
9E8797	BAFFLE - lower, straight exit	7
9E8798	LINK DIVERTER	7
9E8799	PIN LINK - diverter	12, 7
9E8802	ACTUATOR (GAP RELEASE LEVER) - diverter	7
9E8807	ACTUATOR (GAP RELEASE LEVER) - separator roller	12
9E8808	ACTUATOR ((GAP RELEASE LEVER) - link	12
9E8810	ACTUATOR (GAP RELEASE LEVER) - arm, separator roller	12
9E8861	BELT - timing, 107T	11
9E8865	PULLEY - feeder	11
9E8873	SHAFT - door, separation roller	12
9E8874	SPRING - torsion	12
9E8891	CLIP - camera	15
9E8897	INPUT TRAY AY - complete	2
9E8927	SENSOR - home	15
9E8927	SENSOR - HOME AY	2
9E8932	DUST COVERS	10
9E9231	SHAFT RELEASE	4
9E9234	LINK - release	4
9E9251	SPRING - extension	4
9E9312	HARNESS - retainer	15
9E9437	FEED MODULE RELEASE KNOB	11
9E9439	SHAFT - feeder release	11
9E9441	SPRING	11
9E9566	COVER - main, top	3
9E9746	TUBE - gap release	12
9E9765	SPRING - detent, diverter	7
9E9778	WASHER - crescent	11
9E9779	WASHER - flat	11
9E9796	BEARING - retainer	9
9E9923	STAPLE SHIELD	14
9E9971	COVER AY - pod, left	3
9E9975	COVER - pod, top left	3
CP5K4652	OPERATOR CONTROL PANEL AY	3

Section 3: Alphabetical Index

Alphabetical Index

Part No.	Description	Figure No.
8F9578	AC POWER	15
9E8808	ACTUATOR ((GAP RELEASE LEVER) - link	12
9E8354	ACTUATOR (GAP RELEASE LEVER) - arm, diverter	7
9E8810	ACTUATOR (GAP RELEASE LEVER) - arm, separator roller	12
9E8802	ACTUATOR (GAP RELEASE LEVER) - diverter	7
9E8807	ACTUATOR (GAP RELEASE LEVER) - separator roller	12
5K3164	BACKGROUND AY	6
8F9868	BAFFLE - lower, ADF	12
9E7888	BAFFLE - lower, rear	7
9E8797	BAFFLE - lower, straight exit	7
9E7889	BAFFLE - pod, rear	8
8F9747	BAFFLE - pod, upper	8
8F9428	BAFFLE - upper	7
5K4217	BAFFLE - upper, ADF with airedale A	11
8F8358	BEARING	11
9E9796	BEARING - retainer	9
9E8861	BELT - timing, 107T	11
9E8208	BELT - timing, 132T	9
9E4089	BELT - timing, 91T	9
9E8245	BELT - timing, 99T	9
8F8390	BOARD - power on/off	3
5K3704	BOARD AY - PDMD	14
5K1150	BOARD, elevator	2
9E8490	BRACKET - roller, separation	12
8F9430	BRUSH - static elimination	7
7E9439	CABLE - video, UL	15
3E9198	CABLE, printer	15
9E8891	CLIP - camera	15
6E6559	CLIP - retainer, NFR, bearing	10, 12
5E4420	CLUTCH	11
8F8035	COVER - actuator, lower	12
8F7963	COVER - base, front	3
8F8095	COVER - base, side	3
5K2766	COVER - ELECTRONIC BOX	13
5K2751	COVER - main, front, i4250	3
5K2754	COVER - main, front, i4650	3
5K2756	COVER - main, front, i4850	3
8F7795	COVER - main, left	3
9E9566	COVER - main, top	3
5K2719	COVER - pod, right	3
9E9975	COVER - pod, top left	3
5K2718	COVER - pod, top right	3
5K2430	COVER AY - ebox	3
5K4330	COVER AY - main, right	3
9E9971	COVER AY - pod, left	3
5K3134	CROSS SHAFT AY (ELEVATOR SHAFT)	2

Alphabetical Index

Part No.	Description	Figure No.
5K4221	DANGLER - Long - i4x50	15
5K4126	DANGLER - Mount - i4x50	15
5K4222	DANGLER - Short - i4x50	15
9E8351	DIVERTER AY	7
5K1637	DOOR - access, separation roller	12
8F7917	DOOR AY - printer	3
7E7019	DOWEL, M3 X 14	7
5K2393	DRIVE SHAFT AY - takeaway	11
5K2770	DUCT - blower	13
9E8932	DUST COVERS	10
315220	E-RING	15
315219	E-RING - M3	12
315220	E-RING - M5	12
243359	E-RING - M6	12
5K2428	ELECTRONIC BOX - complete AY	13
8F8272	ELECTRONIC BOX - lower, complete with the power supply	14
6E6544	END BLOCK - bearing	10, 12
5K4098	ENDCAP ASSY - LED	6
6J7069	ENDCAP AY - illumination	6
8F7974	FAN AY	13, 14
9E9437	FEED MODULE RELEASE KNOB	11
5K2881	FEEDER - release	11
8F8027	FLAG - elevator home	12
7E0732	FLANGE	7
8CK222	FOOT BUMPER	15, 3
8F9635	GAS SHOCK	15
8F9434	GEAR	15
5K3137	GEAR - elevator motor	2
8F8111	GEAR - outside	2
8F9434	GEAR - top	2
8F7803	HANDLE AY - latch	4
5K4301	HARNESS - STAPLE DETECT, Base	15
5K4302	HARNESS - STAPLE, Detection 2	15
5K3198	HARNESS - back, LED	15
5K2994	HARNESS - front end, data	15
8F9588	HARNESS - front, interlock	15
5K3278	HARNESS - interim, background, motor	15
8F7958	HARNESS - pod, camera, power	15
5K2887	HARNESS - pod, data	15
5K3197	HARNESS - pod, power, LED	15
9E8599	HARNESS - power supply, DC	15
9E8595	HARNESS - power, controller	15
9E9312	HARNESS - retainer	15
5E4635	HARNESS - sensor, transmitter	12
9E3568	HARNESS - USB	15
5K2686	IMAGING GUIDE - lower	6
5K2689	IMAGING GUIDE - upper	6
9E8897	INPUT TRAY AY - complete	2

Alphabetical Index

Part No.	Description	Figure No.
1E8949	INTERLOCK SWITCH	15
5K3121	LED - BAR AY - A	6
5K3122	LED - BAR AY - B	6
7J3970	LEVER - gap release	12
9E9234	LINK - release	4
9E8798	LINK DIVERTER	7
7J4442	MICROPHONE, Intelligent Document Protection	15
5K0587	MODULE - feed, wide urging	11
5K2174	MOTOR - drive	11
5K2414	MOTOR - exit	9
8F8294	MOTOR AY - elevator	2
8F9751	MOUNT - block, pod baffle, left	8
8F9750	MOUNT - block, pod baffle, right	8
5K3418	MOUNT - PLATE, LED DRIVER BOARD	6
CP5K4652	OPERATOR CONTROL PANEL AY	3
8F9525	OUTPUT TRAY AY - complete	1
6J7243	PAD AY - pre-separation	12
4C8498	PIN - HITCH, clutch drive	11
9E8799	PIN LINK - diverter	12.7
8F8158	PIVOT MOUNT	1
6J7973	PLATE - motor weldment	2
5K4461	PRINTED CIRCUIT BOARD AY (PCBA) - controller, dual core	13
5K3478	PRINTED CIRCUIT BOARD AY (PCBA) - daughter, controller	13
5K4429	PRINTED CIRCUIT BOARD AY (PCBA) - LED DRIVER BOARD	6
5K3316	PRINTED CIRCUIT BOARD AY (PCBA) - Ultrasonic Document Detection System (UDDS) receiver	11
9E8865	PULLEY - feeder	11
8F9911	RAIL - carriage	2
3E9197	RECEIVER - upper - Ultrasonic Document Detection System (UDDS)	11
6J7892	RETAINER - flag, sensor	12
8F7847	RETAINER - Ultrasonic Document Detection System (UDDS)	12
243359	RETAINING RING	11
5K2391	ROLLER - takeaway normal force	12
5K3061	ROLLER AY - latch	4
5K0703	SCAN MODULE	5
5F7967	SCREW - hex, M3	8
7J4099	SCREW - hex, M3	12.7
981710	SCREW - M3 x 0.5 x 8	12, 15
273423	SCREW - pan head	11
1E3046	SCREW - <i>Phillips</i> , M4	12
9E5636	SCREW - tapping, m2.5 X 8	15
9E5638	SCREW - tapping, M3	1, 12, 15
748353	SCREW, M3 x 6	4
748354	SCREW, M3 x12	4
9E8927	SENSOR - home	15
9E8927	SENSOR - HOME AY	2
5K4388	SENSOR - S0	11
9E5352	SENSOR - stackup	11

Alphabetical Index

Part No.	Description	Figure No.
9E7631	SEPARATION ROLLER AY - includes tires	12
8F9494	SHAFT - cross	15
9E8873	SHAFT - door, separation roller	12
9E9439	SHAFT - feeder release	11
5K1836	SHAFT - pivot, separation	12
5K2399	SHAFT AY - drive	9
5K2403	SHAFT AY - drive, black	9
5K2401	SHAFT AY - drive, dark brown	9
5K2877	SHAFT AY - drive, feeder	11
5K2405	SHAFT AY - drive, green	9
5K2404	SHAFT AY - drive, orange	9
5K2402	SHAFT AY - drive, yellow	9
5K3883	SHAFT AY - exit	9
5K2396	SHAFT AY - NFR	10
5K2395	SHAFT AY - NFR, exit	10
9E9231	SHAFT RELEASE	4
5K4044	SLIDE RELEASE	11
3B2037	SPRING	4
7E0733	SPRING	12
9E9441	SPRING	11
3C9239	SPRING - compression	10
7J3840	SPRING - compression	12
7J3841	SPRING - compression	10
9E9765	SPRING - detent, diverter	7
3E9567	SPRING - ext, separation roller	12
9E9251	SPRING - extension	4
9E8874	SPRING - torsion	12
9E9923	STAPLE SHIELD	14
5K2723	SUPPORT DOOR AY	3
9E7004	TARGET - mechanical, image calibration	15
6E6622	TIRE - feed	11
9E9746	TUBE - gap release	12
149728	WASHER	11
243236	WASHER	11
5E4889	WASHER	12
9E9778	WASHER - crescent	11
9E9779	WASHER - flat	11
5K2790	WIRING RETAINER, POD RH	3

Section 4: Publication History

Publication Date	Publication No.	Changed Pages	Notes
17JUN15	IP2530-1	----	New Publication
28SEP15	IP2530-1	Page 19	Updated Figure 13.
14OCT15	IP2530-1	Page 21	Added parts to Figure 15.
18DEC15	IP2530-1	Page 5	Updated part number in Figure 3.
26APR16	IP2530-1	Page 19	Updated part number in Figure 13.