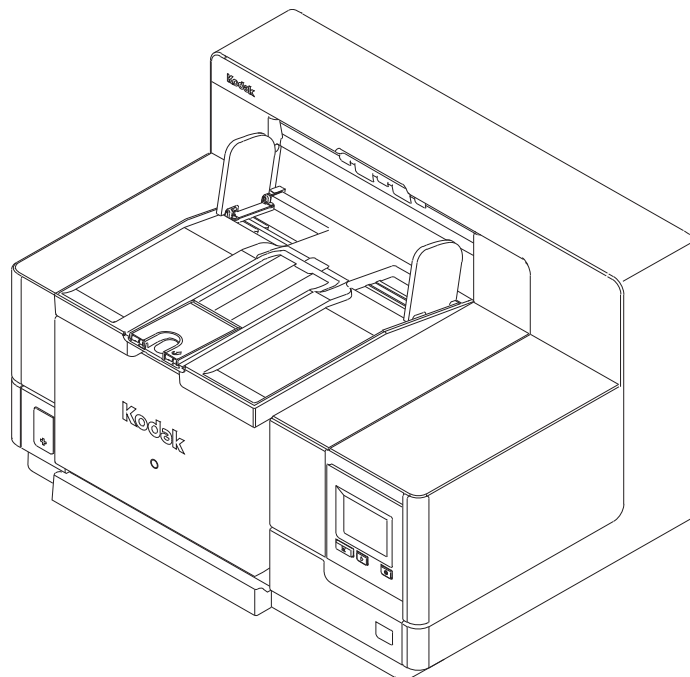


**ILLUSTRATED PARTS LIST**  
**for the**  
***Kodak i5250/i5250V/i5650/i5650V/i5650S/***  
**i5850/i5850S SCANNERS**  
**Service Codes: 3016, 3017, 3018, 3019, 3020, 3021,**  
**3022**



**Important**

Qualified service personnel must repair this equipment.



**PLEASE NOTE**

The information contained herein is based on the experience and knowledge relating to the subject matter gained by Kodak Alaris prior to publication. Nothing contained herein shall be construed as conferring by implication, estoppel, or otherwise, any license under any patent, trade secret, trademark or any existing copyright, except as specified herein.

Kodak Alaris reserves the right to change this information without notice, and makes no warranty, express or implied, with respect to this information. Kodak Alaris shall not be liable for any loss or damage, including consequential or special damages, resulting from any use of this information, even if loss or damage is caused by negligence or other fault by Kodak Alaris.



This equipment includes parts and assemblies sensitive to damage from electrostatic discharge. Use caution to prevent damage during all service procedures.

## Table of Contents

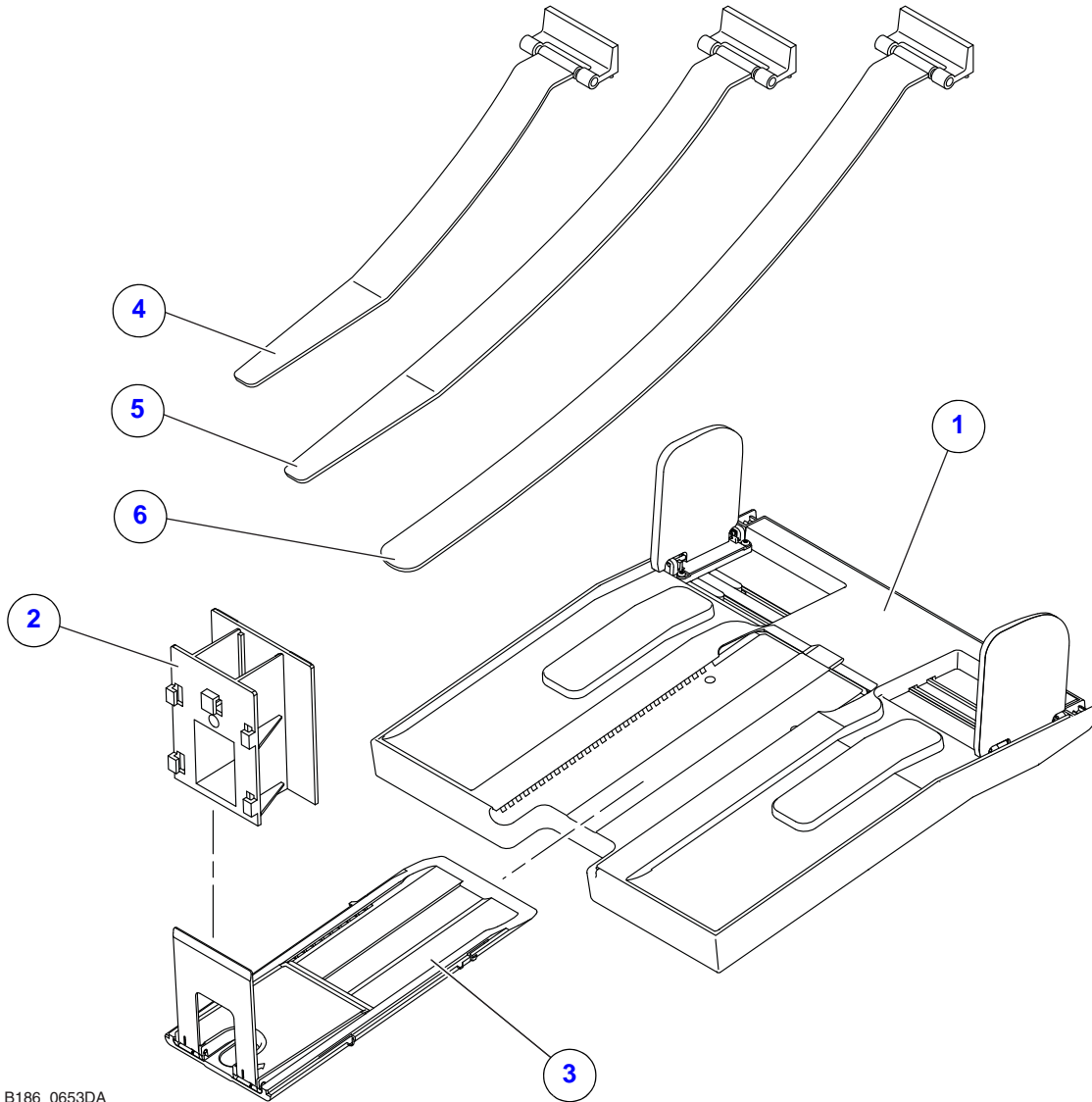
Description	Page
<a href="#">Illustrated Parts List</a> .....	4
<a href="#">OUTPUT TRAY AY - Kodak i5250/i5250V/i5650/i5650V/i5850/i5850 Rear Exit SCANNERS</a> .....	4
<a href="#">OUTPUT TRAY AY - Kodak i5650S/i5850S SCANNERS</a> .....	6
<a href="#">COVERS - 1 of 2</a> .....	8
<a href="#">COVERS - 2 of 2</a> .....	10
<a href="#">COVERS - Kodak i5650S/i5850S SCANNERS</a> .....	11
<a href="#">BRACKETS for MAIN COVERS</a> .....	13
<a href="#">OPERATOR CONTROL PANEL (OCP) AY</a> .....	14
<a href="#">SCAN MODULE</a> .....	16
<a href="#">FRONT PRINTER</a> .....	18
<a href="#">REAR PRINTERS</a> .....	20
<a href="#">INPUT TRAY</a> .....	22
<a href="#">ELECTRICAL BOX (E-BOX) - Controller</a> .....	24
<a href="#">SCANNER INTERCONNECT (SIC) BOARD and HARNESSES</a> .....	27
<a href="#">LED AY - Kodak i5850 SCANNER</a> .....	29
<a href="#">LED AY - Kodak i5250/i5250V/i5650/i5650V/i5850 Rear Exit SCANNERS</a> .....	30
<a href="#">AUTOMATIC DOCUMENT FEEDER (ADF) - Upper, 1 of 2</a> .....	31
<a href="#">AUTOMATIC DOCUMENT FEEDER (ADF) - Upper, 2 of 2</a> .....	34
<a href="#">AUTOMATIC DOCUMENT FEEDER (ADF) - Lower, 1 of 3</a> .....	36
<a href="#">AUTOMATIC DOCUMENT FEEDER (ADF) - Lower, 2 of 3</a> .....	38
<a href="#">AUTOMATIC DOCUMENT FEEDER (ADF) - Lower, 3 of 3</a> .....	39
<a href="#">POWER SUPPLIES - Kodak i5250/i5250V/i5650/i5650V/i5650S/i5850S SCANNERS</a> .....	41
<a href="#">POWER SUPPLIES - Kodak i5850/i5850S/i5850 Rear Exit SCANNERS</a> .....	43
<a href="#">TRANSPORT ROLLERS - POD</a> .....	45
<a href="#">TRANSPORT ROLLERS - BASE - Kodak i5250/i5250V/i5650/i5650V/i5850/i5850 Rear Exit SCANNERS</a> .....	47
<a href="#">ROLLERS - Kodak i5650S/i5680S SCANNERS</a> .....	49
<a href="#">UPPER CLAMSHELL Including EXIT DRIVE ROLLERS - Kodak i5650S/i5680S SCANNERS</a> .....	51
<a href="#">DIVERTER AY - Kodak i5650S/i5680S SCANNERS</a> .....	52
<a href="#">IMAGING GUIDES - POD</a> .....	53
<a href="#">IMAGING GUIDES AND BAFFLES - BASE</a> .....	55
<a href="#">BAFFLES - POD</a> .....	57
<a href="#">BAFFLES - BASE - 1 of 3</a> .....	59
<a href="#">BAFFLES - BASE - 2 of 3</a> .....	60
<a href="#">BAFFLES - BASE - 3 of 3</a> .....	62
<a href="#">LATCH AY</a> .....	64

---

<a href="#">FANS</a> .....	66
<a href="#">BLOCK ROTATES and FOOT BUMPERS</a> .....	68
<a href="#">BRACKETS AND HYDROLIFT - Right Side</a> .....	69
<a href="#">BRACKETS AND HYDROLIFT - Left Side</a> .....	71
<a href="#">COVERS AND LIFT HARDWARE - PEDESTAL, <i>Kodak i5850/i5850S/i5850</i></a> <a href="#">Rear Exit SCANNERS</a> .....	73
<a href="#">WORKSHELF - <i>Kodak i5850/i5850S/i5850</i> Rear Exit SCANNERS</a> .....	75
<a href="#">PEDESTAL CASTERS - <i>Kodak i5850/i5850S/i5850</i> Rear Exit SCANNERS</a> ..	77
<a href="#">PEDESTAL CHAIN ZIPPER</a> .....	78
<a href="#">HARDWARE, LABELS and MISCELLANEOUS</a> .....	79
<a href="#">Numerical Index</a> .....	81
<a href="#">Alphabetical Index</a> .....	95
<a href="#">Publication History</a> .....	109

# Section 1: Illustrated Parts List

Figure 1 OUTPUT TRAY AY - *Kodak i5250/i5250V/i5650/i5650V/i5850/i5850* Rear Exit SCANNERS



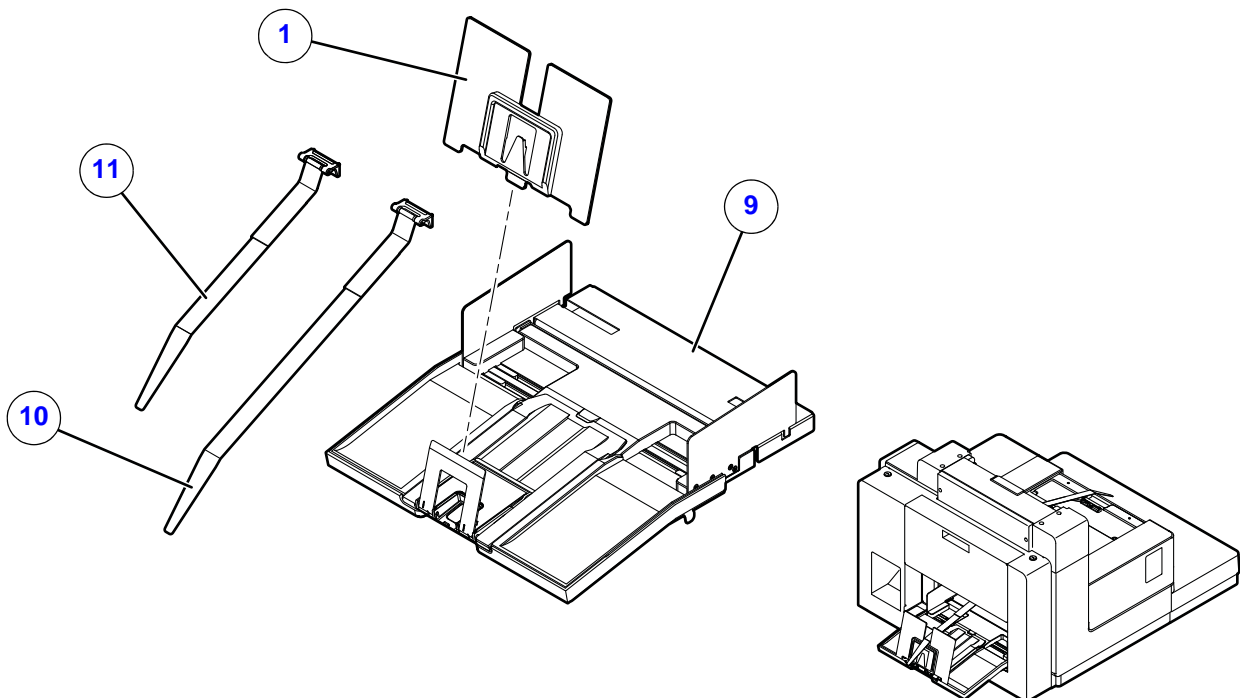
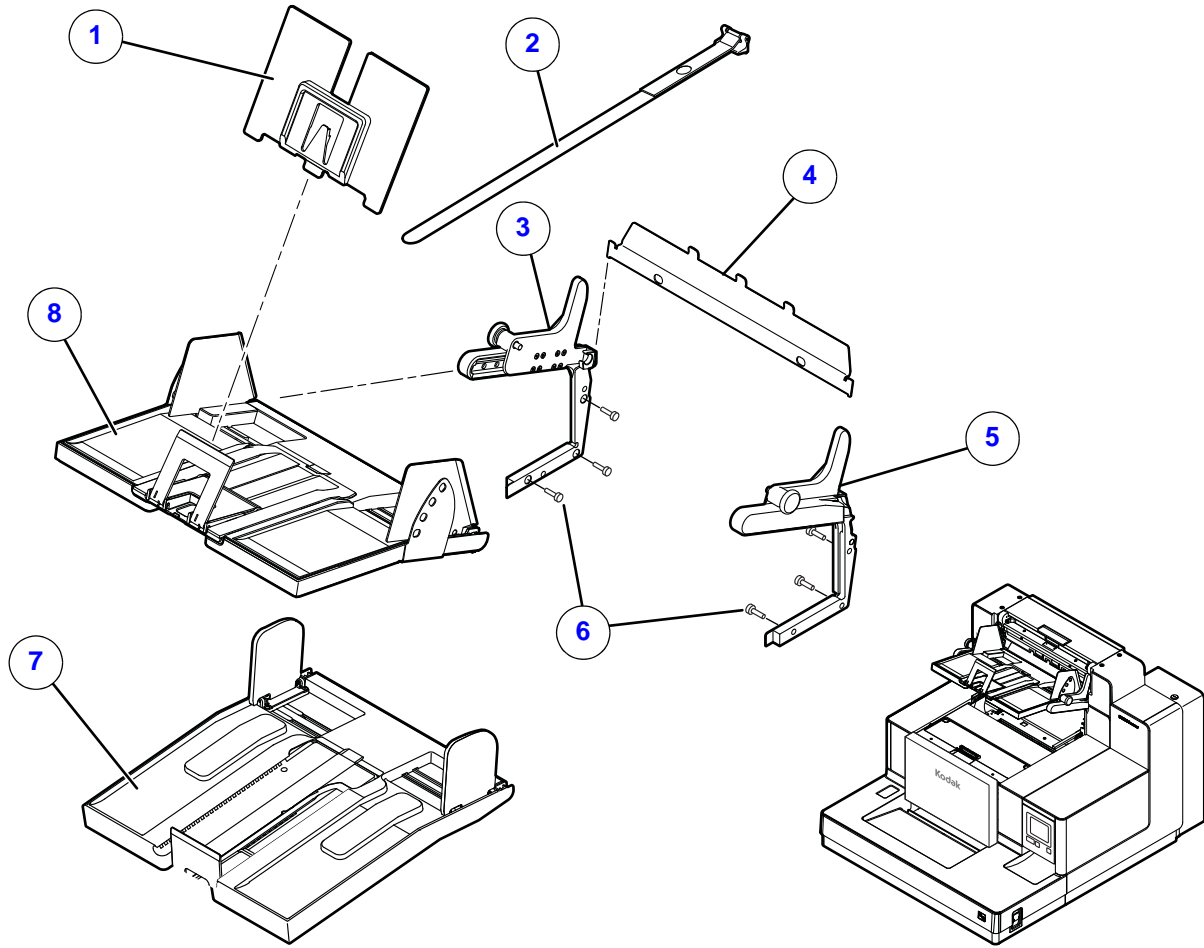
B186\_0653DA



**Figure 1 OUTPUT TRAY AY - Kodak i5250/i5250V/i5650/i5650V/i5850/i5850 Rear Exit SCANNERS**

<b>Item</b>	<b>Part No.</b>	<b>Description</b>	<b>Quantity</b>	<b>Notes</b>
<b>1</b>	5K4218	OUTPUT TRAY AY - i5250/i5250V/i5650/i5650V/ i5850 Rear Exit	1	Includes Item 3.
	8F9765	OUTPUT TRAY AY - i5850	1	Includes Item 3.
<b>2</b>	CP7J3603	TAIL STOP ADAPTER	1	
<b>3</b>	CP5K4219	TAIL STOP AY	1	
<b>4</b>	3E9575	DANGLER - i5250/i5250V/i5650/i5650V/i5850 Rear Exit	1	
<b>5</b>	5K4111	DANGLER AY - short, i5250/i5250V/i5650/i5650V/ i5850 Rear Exit	1	
<b>6</b>	5K4112	DANGLER AY - long, i5250/i5250V/i5650/i5650V/ i5850 Rear Exit	1	

Figure 2 OUTPUT TRAY AY - Kodak i5650S/i5850S SCANNERS

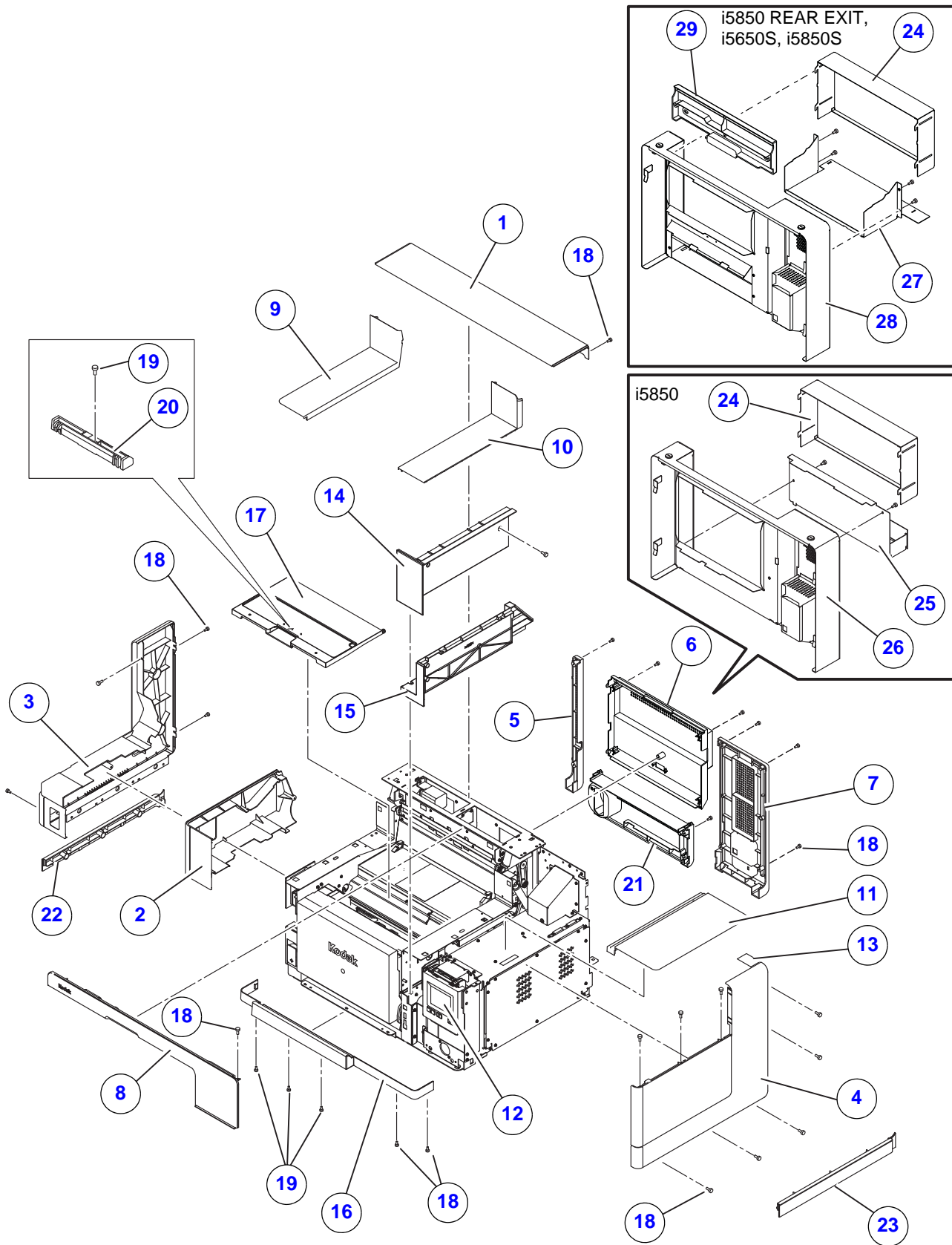


B186\_1859EA

**Figure 2 OUTPUT TRAY AY - Kodak i5650S/i5850S SCANNERS**

<b>Item</b>	<b>Part No.</b>	<b>Description</b>	<b>Quantity</b>	<b>Notes</b>
<b>1</b>	5K4404	TAIL STOP AY - upper and rear exit	1	
<b>2</b>		DANGLER AY - upper tray, i5650S/i5850S	1	
<b>3</b>	CP5K5872	EXIT TRAY SUPPORT AY, left	1	
<b>4</b>	5K4120	BACKSTOP - sorter tray, i5650S, i5850S	1	
<b>5</b>	CP5K5870	EXIT TRAY SUPPORT AY, right	1	
<b>6</b>	7E7743	SCREW - hex, flange head	4	
<b>7</b>	5K4122	OUTPUT TRAY 2 AY, top	1	
<b>8</b>	5K5810	OUTPUT TRAY AY, bottom	1	
<b>9</b>	5K4161	OUTPUT TRAY AY, rear exit	1	
<b>10</b>	5K4063	DANGLER AY - long, rear exit	1	
<b>11</b>	5K4062	DANGLER AY - short, rear exit	1	

Figure 3 COVERS - 1 of 2

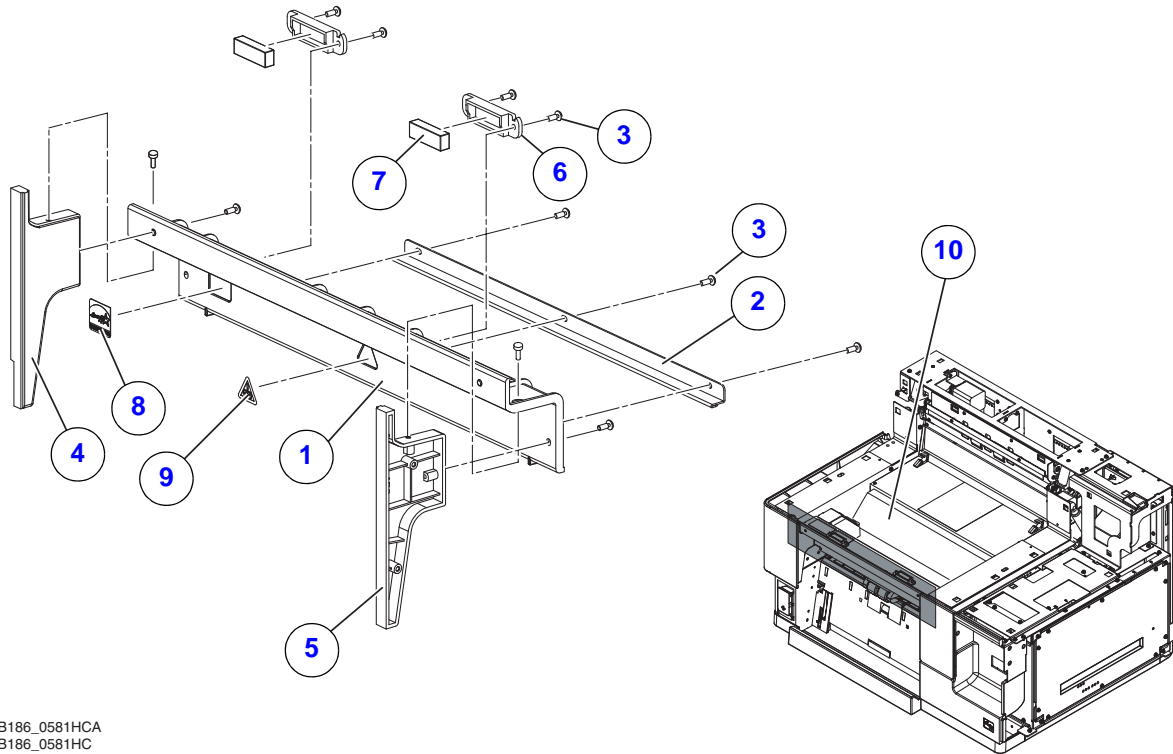


B186\_0654EA

Figure 3 COVERS - 1 of 2

Item	Part No.	Description	Quantity	Notes
1	8F8003	COVER - main, top, i5250/i5250V/i5650/ i5650V	1	
	5K3441	COVER - main, top, i5850/i5850 Rear Exit	1	
2	8F8006	COVER - pod, left	1	
3	8F8004	COVER - main, left, i5250/i5250V/i5650/ i5650V	1	
	6J7697	COVER - main, left, i5850/i5850 Rear Exit	1	
4	8F7999	COVER - main, right, i5250/i5250V/i5650/ i5650V	1	
	6J7698	COVER - main, right, i5850/i5850 Rear Exit	1	
5	8F8014	COVER - back, left, i5250/i5250V/i5650/ i5650V	1	
6	5K4200	COVER - rear printer AY, i5250/i5250V/ i5650/i5650V	1	
7	8F7997	COVER - back, right, i5250/i5250V/i5650/ i5650V	1	
8	5K3111	COVER - main, front, i5850/i5850 Rear Exit	1	
	5K4188	COVER - main, front, i5250	1	
	5K4189	COVER - main, front, i5250V	1	
	5K4190	COVER - main, front, i5650	1	
	5K4191	COVER - main, front, i5650V	1	
9	8F8011	COVER - pod, top left	1	
10	8F8010	COVER - pod, top right	1	
11	8F8001	COVER - main, E-Box top	1	
12	CP9E9705	OCP AY	1	
13	8F9673	CLIP - main cover, right	1	
14	8F8005	COVER - pod, right	1	
15	5K1703	COVER - main, E-Box, left	1	
16	8F8000	COVER - base, front, i5250/i5250V/i5650/ i5650V	1	
17	8F7996	COVER - printer	1	
18	981710	SCREW - machine, hex washer head, <i>Torx</i> drive, black, M3 x 0.05 x 8	40	The quantity is approximate. Not all SCREWS are visible in the graphic.
19	5E4874	SCREW - tapping, round washer head, <i>Torx</i> drive, zinc, M3 x 8	4	
20	6J7192	SNAP - tray, output	1	
21	5K4187	COVER - back exit, lower, i5250/i5250V/ i5650/i5650V	1	
22	6J7694	COVER - filler, side, left, i5850/i5850 Rear Exit	1	
23	6J7695	COVER - filler, side, right, i5850/i5850 Rear Exit	1	
24	5K4390	COVER - rear printer AY, i5850/i5850 Rear Exit	1	
25	5K3100	COVER - storage AY, i5850	1	
26	5K3095	COVER - back AY, i5850	1	
27	5K3810	ENCLOSURE - back exit, i5850 Rear Exit	1	
28	5K5366	COVER - back AY, i5650S, i5850S	1	
29	5K5582	COVER - main, top middle, i5650S/i5850S	1	

Figure 4 COVERS - 2 of 2

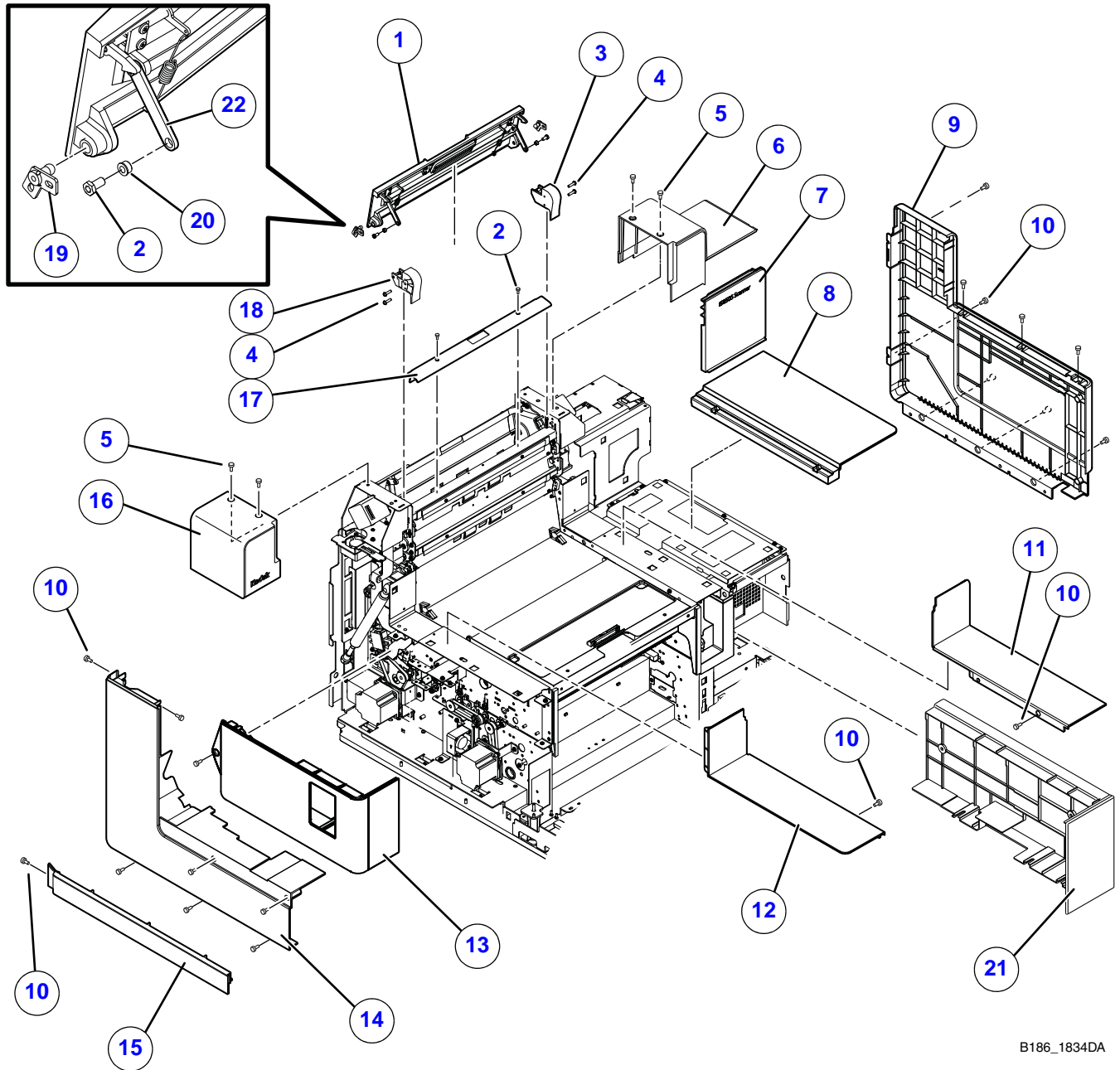


B186\_0581HCA  
B186\_0581HC

Figure 4 COVERS - 2 of 2

Item	Part No.	Description	Quantity	Notes
1	8F8009	COVER - pod, front, center	1	
2	8F8424	STRIP - side guide, de-latch	1	
3	5E4874	SCREW - tapping, round washer head, Torx drive, zinc, M3 x 8	11	
4	8F8007	COVER - pod, front, right side	1	
5	8F8008	COVER - pod, front, left side	1	
6	9E9839	MAGNET HOLDER - input tray	2	
7	5K1520	MAGNET - input tray	2	
8	8F8152	LABEL - "Energy Star"	1	
9	946316	LABEL - warning, moving parts	1	
10	5K3007	COVER - printer space	1	

Figure 5 COVERS - Kodak i5650S/i5850S SCANNERS



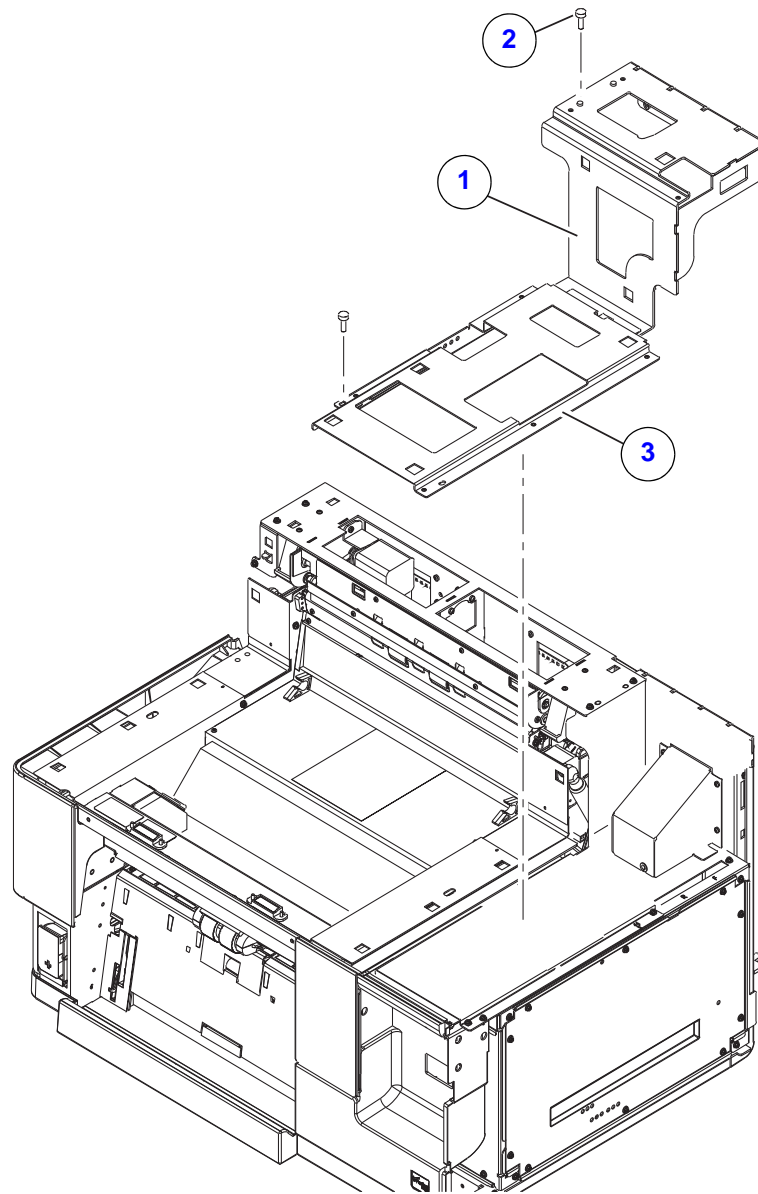
B186\_1834DA

Figure 5 COVERS - Kodak i5650S/i5850S SCANNERS

Item	Part No.	Description	Quantity	Notes
1	CP5K5432	COVER - CLAMSHELL AY	1	
2	7J4099	SCREW - machine, hex head, <i>Torx</i> drive, steel, RoHS, M3 x 0.5 x 6	2	
3	CP5K3636	CAM AY - right	1	
4	8CK132	SCREW - tapping, pan washer head, <i>Torx</i> drive, zinc, M3 x 12	4	
5	5K4585	SCREW - pan head M3 x 8, SUS 304	4	
6	5K4175	COVER, main top right sorter, i5850S	1	
	5K4251	COVER, main top right sorter, i5650S	1	
7	5K4194	COVER - main front - i5850S	1	
8	8F8001	COVER - main, E-Box top	1	
9	6J7698	COVER - main, right, i5650S/i5850S/i5850/i5850 Rear Exit	1	
10	981710	SCREW - machine, hex washer head, <i>Torx</i> drive, black, M3 x 0.05 x 8	2	
11	5K3490	COVER - pod top right sorter, i5650S, i5850S	1	
12	5K3491	COVER - pod top left sorter, i5650S, i5850S	1	
13	8F8006	COVER - pod, left	1	
14	5K4531	COVER - main, left i5850S	1	
	5K4654	COVER - main, left i5650S	1	
15	6J7694	COVER - filler, side, left, i5650S/i5850S/i5850/i5850 Rear Exit	1	
16	5K4250	COVER - main top left sorter, i5650S, i5850S	1	
17	5K4178	LEAD - TRIM	1	
18	CP5K3637	CAM AY - left	1	
19	5K5183	PIN AY - pivot	1	
20	5K5426	SPACER LINK	1	
21	8F8005	COVER - pod, right	1	
22	5K5425	LINK, sorter cover	1	



Figure 6 BRACKETS for MAIN COVERS

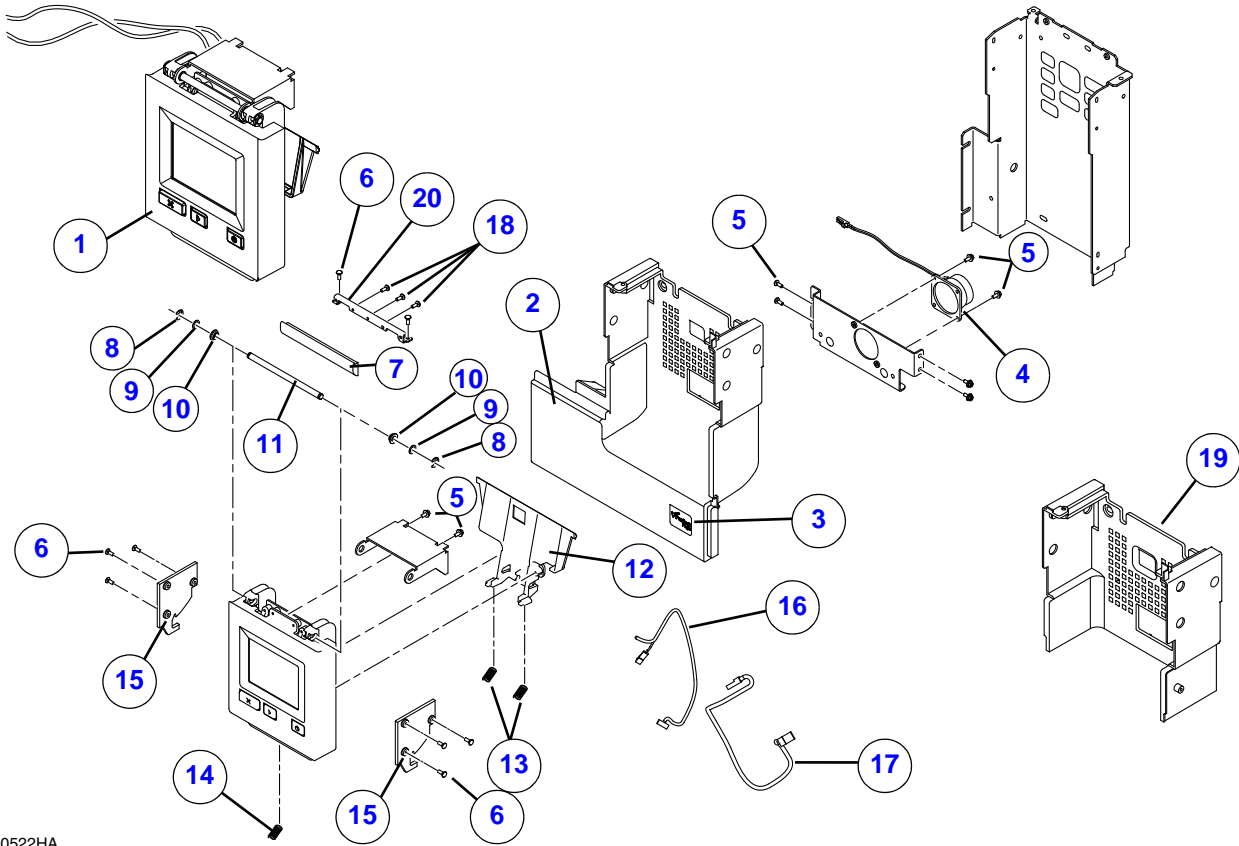


B186\_0595DCA  
B186\_0595DC

Figure 6 BRACKETS for MAIN COVERS

Item	Part No.	Description	Quantity	Notes
1	5K5172	BRACKET - main cover, right	1	
2	981710	SCREW - machine, hex washer head, <i>Torx</i> drive, black, M3 x 0.05 x 8	9	Not all SCREWS are visible in the graphic.
3	8F8084	BRACKET - main cover, E-Box, top	1	

Figure 7 OPERATOR CONTROL PANEL (OCP) AY

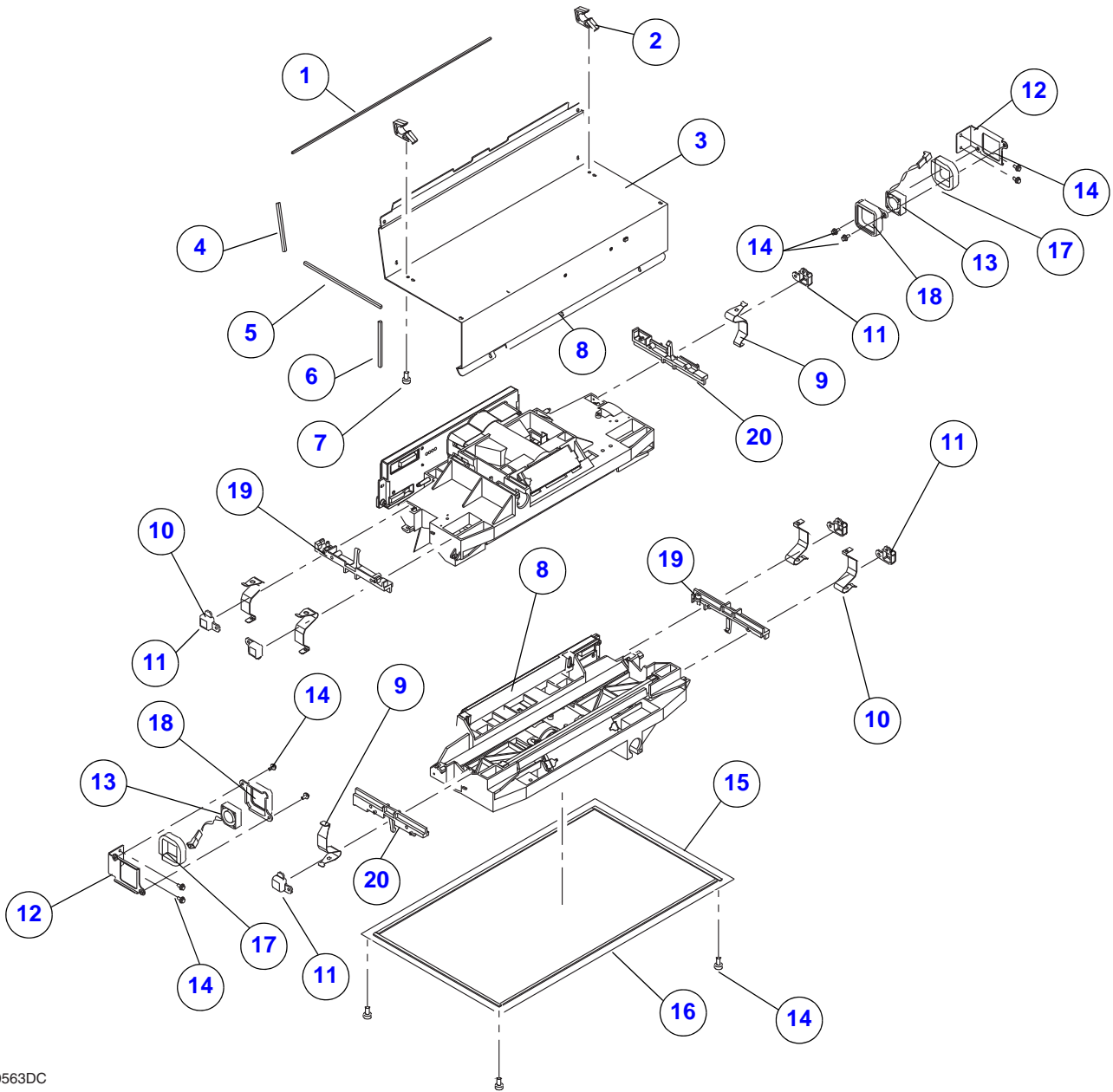


B186\_0522HA

Figure 7 OPERATOR CONTROL PANEL (OCP) AY

Item	Part No.	Description	Quantity	Notes
1	CP9E9705	OCP AY	1	
2	8F8015	COVER - main, front, OCP, i5250/i5250V/i5650/i5650V	1	
3	8F8153	LABEL - "Perfect Page", i5250/i5650/i5850/i5850 Rear Exit	1	
4	5K0298	LABEL - "Kofax VRS", i5250V/i5650V	1	
	5K5020	SPEAKER - i5250/i5250V/i5650/i5650V/i5850 Rear Exit	1	
	9E9585	SPEAKER - i5850	1	
5	981710	SCREW - machine, hex washer head, <i>Torx</i> drive, black, M3 x 0.05 x 8	8	
6	5E4874	SCREW - tapping, round washer head, <i>Torx</i> drive, zinc, M3 x 8	8	
7	8F9807	COVER - top, right, OCP	1	
8	243359	E-RING - retaining	2	
9	5E4889	WASHER	2	
10	6E8946	NYLINER	2	
11	9E9711	SHAFT - pivot, bezel	1	
12	9E9717	LOCK - OCP	1	
13	790741	SPRING - compression	2	
14	573450	SPRING - compression, latch	1	
15	8F9870	RATCHET - OCP, side wall	2	
16	9E9649	SWITCH - power LED, OCP	1	Includes a HARNESS.
17	9E9650	CABLE - ethernet, OCP	1	
18	9E8739	SCREW - tapping, pan head, <i>Torx</i> drive, zinc, M2.5 x 5	3	
19	6J7696	COVER - main, front, right, i5850/i5850 Rear Exit	1	
20	6J7059	BRACKET - cover, top, OCP	1	

Figure 8 SCAN MODULE

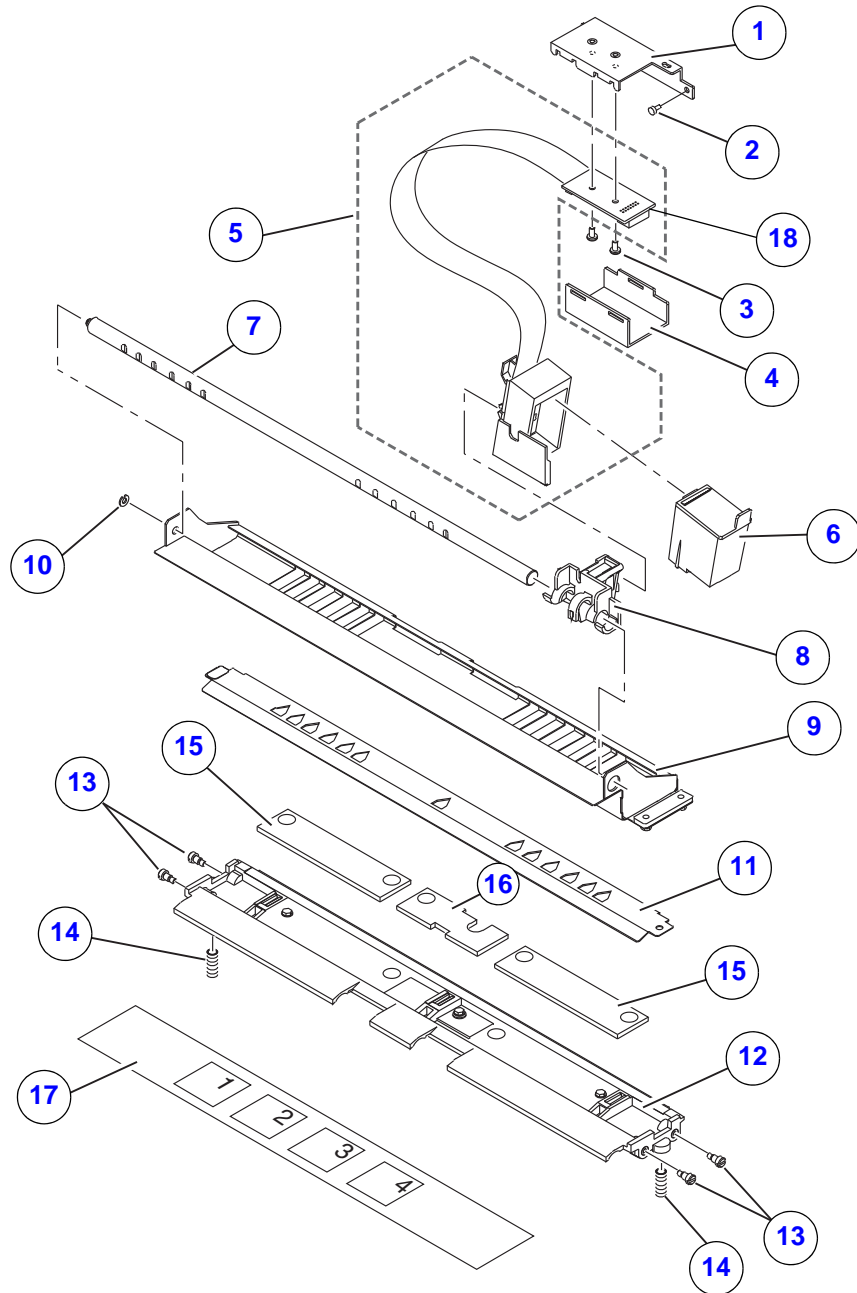


B186\_0563DC

Figure 8 SCAN MODULE

Item	Part No.	Description	Quantity	Notes
1	5E4950	FOAM - camera cover	1	
2	8F8158	PIVOT MOUNT - pivot, output tray	2	
3	9E8543	COVER - camera, pod	1	
4	9E8588	GASKET - camera cover, pod, top	2	
5	9E8587	GASKET - camera cover, pod, center	2	
6	9E5720	GASKET - camera cover, pod, bottom	2	
7	5E4874	SCREW - tapping, round washer head, <i>Torx</i> drive, zinc, M3 x 8	2	
8	7J3637	SCAN MODULE - pod, base	2	
9	9E8816	CLIP - camera, narrow	2	
10	9E8815	CLIP - camera, wide	4	
11	9E8891	COVER - clip, camera	6	
12	8F9718	BRACKET - fan, scan module	2	
13	8F9603	FAN AY - CCD AY	2	
14	981710	SCREW - machine, hex washer head, <i>Torx</i> drive, black, M3 x 0.05 x 8	12	
15	5K3550	GASKET - short, bottom camera cover, i5250/i5250V/i5650/i5650V/i5850 Rear Exit	2	
16	6J7612	GASKET - short, bottom camera cover, i5850	2	
17	6J7613	GASKET - long, bottom camera cover	2	
17	8F9719	FOAM - fan, scan module	2	
18	8F9717	COVER - mount, fan	2	
19	6J7313	MOUNT - camera, wide	1	
20	6J7314	MOUNT - camera, narrow	1	

Figure 9 FRONT PRINTER

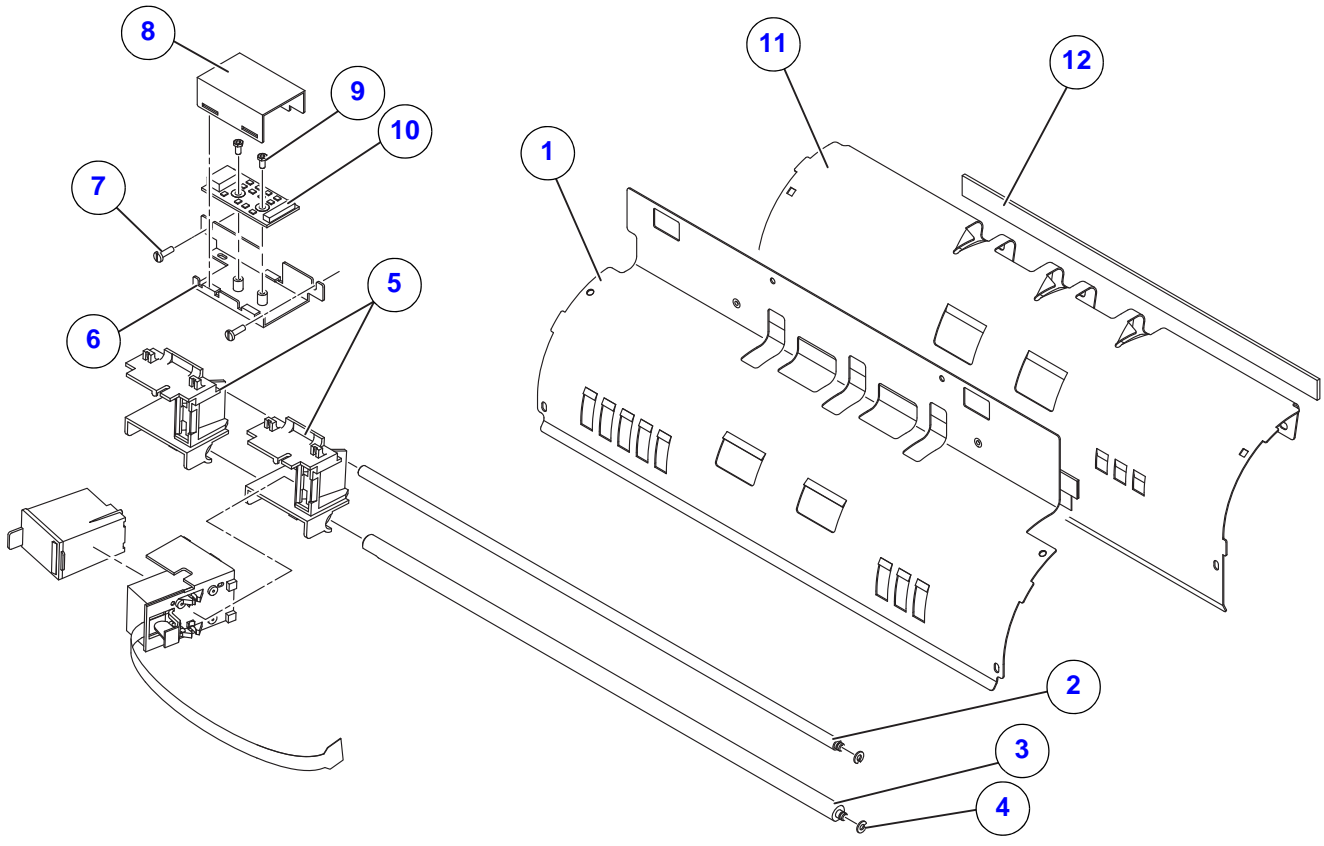


B186\_0578DCA  
B186\_0578DC

Figure 9 FRONT PRINTER

Item	Part No.	Description	Quantity	Notes
1	6J7484	BRACKET - printer board connector	1	
2	981710	SCREW - machine, hex washer head, <i>Torx</i> drive, black, M3 x 0.05 x 8	2	
3	5F7967	SCREW - machine, pan head, <i>Torx</i> drive, zinc, M3 x 6	2	
4	9E5478	COVER - printer board	1	
5	CP9E5146	CARRIAGE AY - printer	1	
6	5F7189	INK CARTRIDGE - black	1	
7	8F8296	SHAFT - printer, locator	1	
8	9E4038	CARRIAGE SLIDER	1	
9	5K2662	CHANNEL - printer	1	
10	6E6559	CLIP - retainer	1	
11	8F9914	STRIP - printer backup	1	
12	CP8F8444	BAFFLE AY - printer backup	1	
13	3B7089	SCREW - shoulder, slotted head, slotted drive, M3 x 4	4	
14	790741	SPRING - compression	2	
15	8F9989	BLOTTER - large	2	
16	8F9942	BLOTTER - center	1	
17	8F8448	LABEL - cartridge replacement	1	
18	CP9E3940	BOARD - printer	1	

Figure 10 REAR PRINTERS



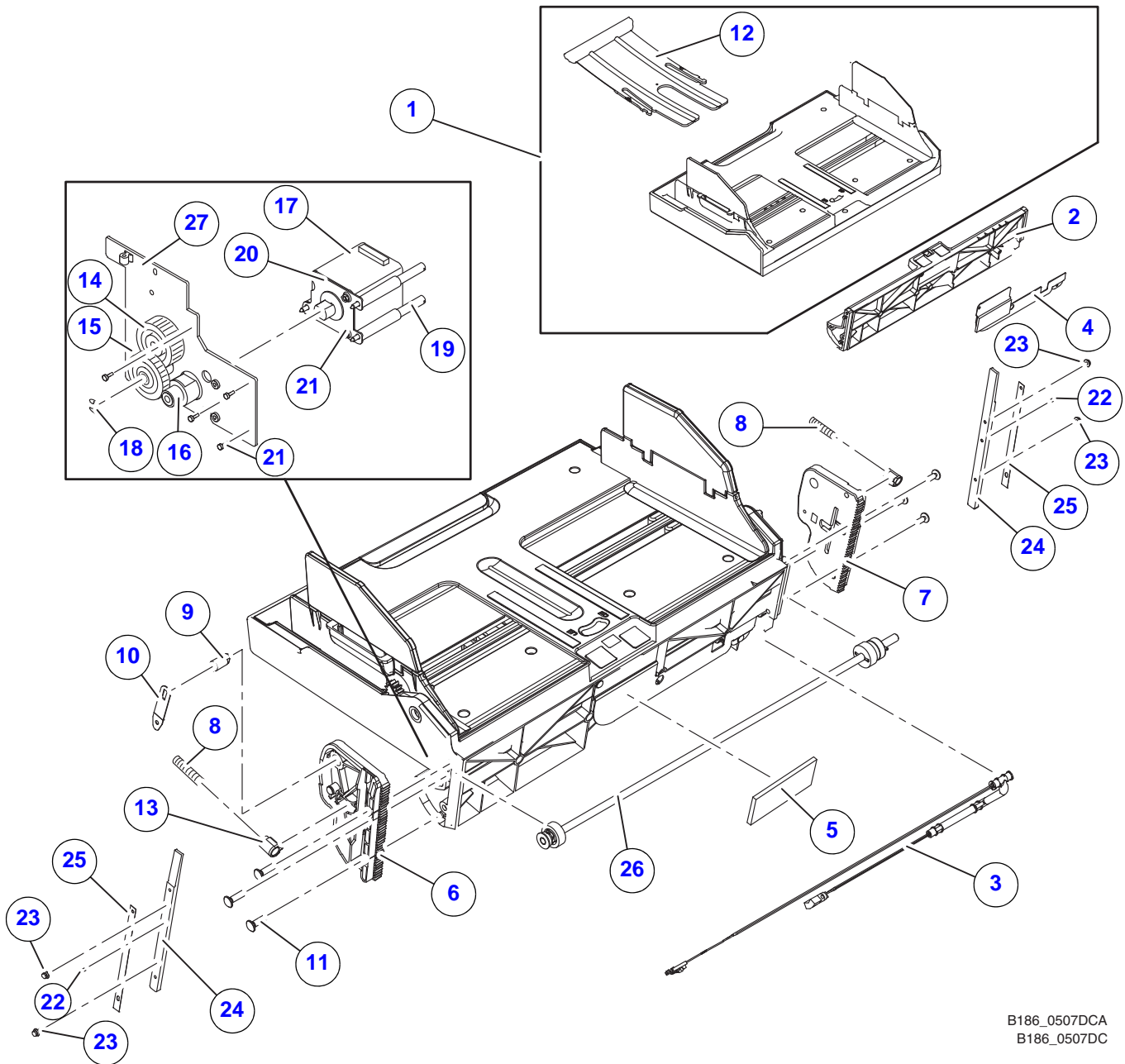
B186\_0652DAA  
B186\_0652DA



Figure 10 REAR PRINTERS

Item	Part No.	Description	Quantity	Notes
1	5K2636	BAFFLE - base, top	1	
2	9E4258	ROD - printer, rear	1	
3	5K3085	SHAFT - printer, rear	1	
4	5K3352	CLIP - retainer	2	
5	5K3078	CARRIER - printer	2	
6	6J7484	BRACKET - printer board connector	1	
7	499204	SCREW - self-tapping	2	
8	7J3837	COVER - connector board	1	
9	7J4099	SCREW - machine, hex head, <i>Torx</i> drive, steel, RoHS, M3 x 0.5 x 6	2	
10	CP9E3940	BOARD - printer	1	
11	5K2637	BAFFLE - pod, upper	1	
12	5K2875	BLOTTER	1	

Figure 11 INPUT TRAY

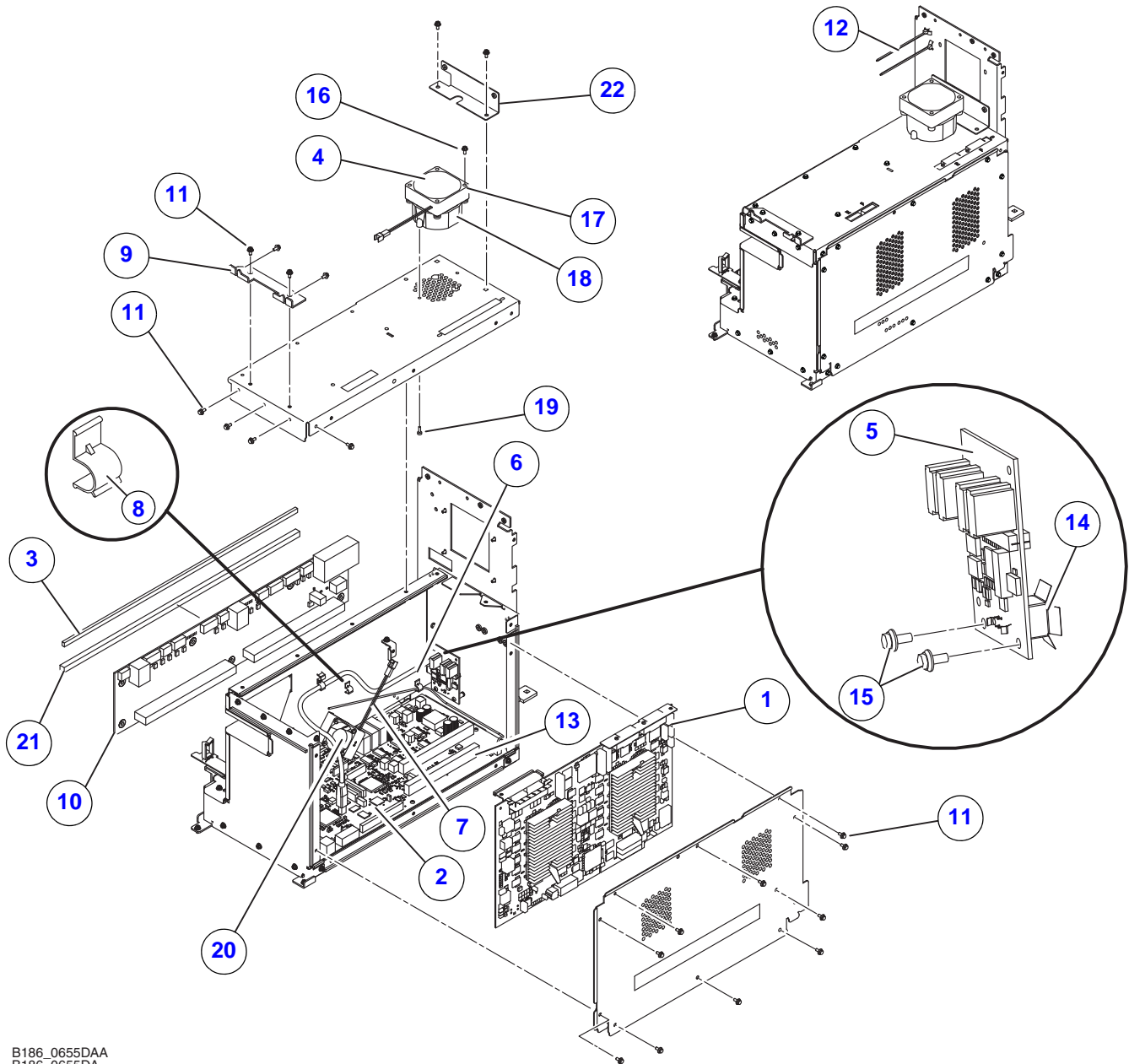


B186\_0507DCA  
B186\_0507DC

Figure 11 INPUT TRAY

Item	Part No.	Description	Quantity	Notes
1	7J3929	INPUT TRAY AY	1	
2	8F8339	BRIDGE - carriage	1	
3	CP8F9873	HARNESS AY - paper sensor	1	Includes SENSOR, HARNESS, and CLIP.
	CP5K2984	HARNESS AY - paper sensor, reduced sensitivity	1	Includes SENSOR, HARNESS, and CLIP. Has reduced sensitivity to black.
4	9E9592	RETAINER - wire, paper sensor	1	
5	6J7429	STRIP FILLER	1	
6	9E9563	MOUNT - tray, left	1	
7	9E9564	MOUNT - tray, right	1	
8	8F7710	SPRING - LC 028BD 11M	2	
9	9E8923	PIN PIVOT	2	
10	9E8924	RETAINER - pin pivot	2	
11	5E4877	SCREW - tapping, oval washer head, zinc, M4 x 12	6	
12	9E9946	EXTENSION - input tray	1	
13	8F7708	HOLDER - spring	2	
14	8F9434	GEAR - elevator	1	
15	8F8111	GEAR CLUSTER - elevator	1	
16	5K3137	GEAR - elevator motor	1	
17	8F8294	MOTOR AY - elevator	1	
18	243359	E-RING - retaining	1	
19	8F9888	SCREW - motor, elevator	3	
20	8F9854	PLATE - motor, elevator	1	
21	748353	SCREW - machine, hex washer head, <i>Torx</i> drive, black, M3 x 6	7	
22	283191	SCREW - set screw, hex socket head, cup point, zinc, M3 x 10	2	
23	981710	SCREW - machine, hex washer head, <i>Torx</i> drive, black, M3 x 0.05 x 8	4	
24	8F9997	RAIL - carriage	2	
25	8F8345	SHIM - rail, carriage	2	
26	5K3134	SHAFT AY - cross	1	
27	6J7900	PLATE - motor AY	1	

Figure 12 ELECTRICAL BOX (E-BOX) - Controller



B186\_0655DAA  
B186\_0655DA

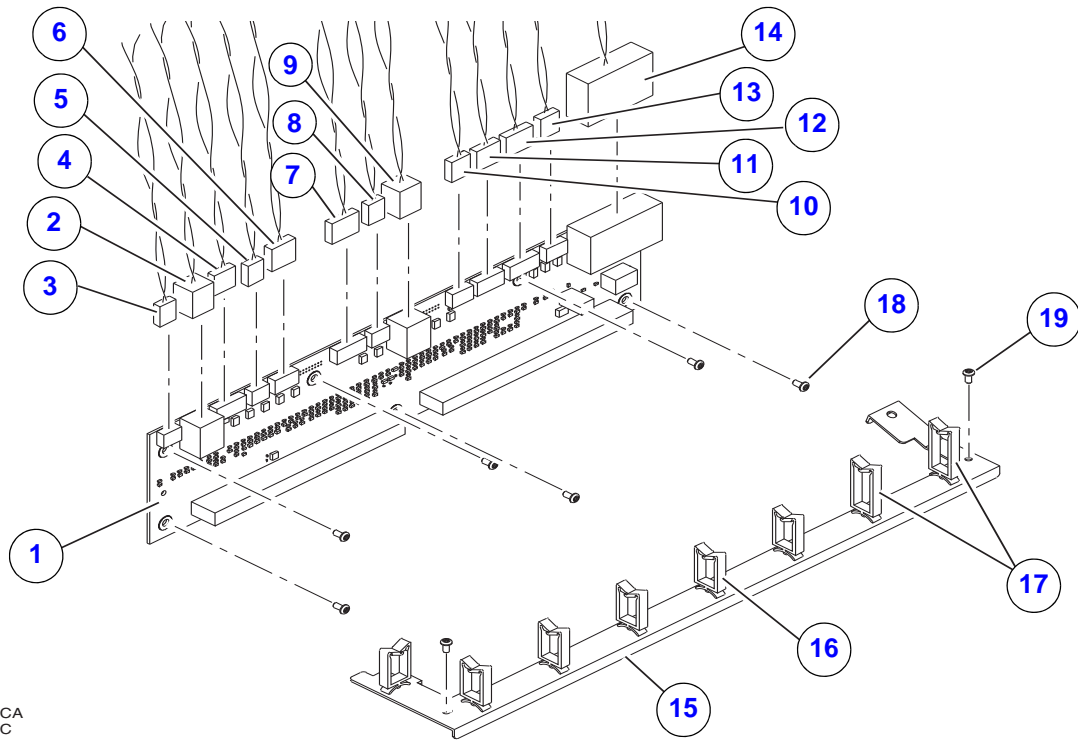
Figure 12 ELECTRICAL BOX (E-BOX) - Controller

Item	Part No.	Description	Quantity	Notes
1	5K4012	BOARD - image processing, i5250/i5250V/i5650/i5650V/ i5650S/ i5850S/i5850 Rear Exit	1	Be sure to order the correct BOARD; there are different part numbers for the i5850 SCANNER and i5850 SCANNER with Rear Exit.
2	5K2475 5K5126	BOARD - image processing, i5850 BOARD - scanner control, i5250/i5250V/i5650/i5650V	1 1	
3	5K4583	BOARD - scanner control, i5650S/i5850S/i5850/i5850 Rear Exit	1	SCB 1000
4	CP5K4455	GASKET - staple	1	
4	5K4153	FAN AY - i5250/i5250V/i5650/i5650V/i5650S/i5850S/ i5850 Rear Exit	1	
5	5K2842	FAN AY - i5850	1	
6	5K4113	BOARD - USB hub	1	
6	9E9663	HARNESS - USB, IPB to hub	1	
7	8F8100	HARNESS - interim, LCU internal fan	1	
8	5E4943	CLIP - wire	2	
9	8F7747	BRACKET - card cage	1	
10	5K4016	BOARD - scanner interconnect, SIC 3000bd, i5250/ i5250V/i5650/i5650V/i5650S/i5850S/i5850 Rear Exit	1	
11	5K2302 981710	BOARD - scanner interconnect, SIC 3000bd, i5850 SCREW - machine, hex washer head, Torx drive, black, M3 x 0.05 x 8	1 18	
12	244825	TIE-WRAP - push mount, winged, 11 cm (4.3 in.)	2	
13	5F7967	SCREW - machine, pan head, Torx drive, zinc, M3 x 6	12	

**ILLUSTRATED PARTS LIST**

<b>Item</b>	<b>Part No.</b>	<b>Description</b>	<b>Quantity</b>	<b>Notes</b>
<b>14</b>	8F8449	CLIP - EMI	1	
<b>15</b>	5F7967	SCREW - machine, pan head, <i>Torx</i> drive, zinc, M3 x 6	3	
<b>16</b>	7E9188	SCREW - machine, hex washer head, <i>Torx</i> drive, black, M3 x 16	4	
<b>17</b>	4B4483	STANDOFF - clinch, M3 x 18	4	
<b>18</b>	5K4145	DUCT - fan, E-Box, i5250/i5250V/i5650/i5650V/i5650S/i5850S/i5850 Rear Exit	1	
	3E9967	DUCT - fan, E-Box, i5850	1	
<b>19</b>	5E4874	SCREW - tapping, round washer head, <i>Torx</i> drive, zinc, M3 x 8	1	
<b>20</b>	5K2838	FAN - drive motor, SCB	1	
<b>21</b>	8F8441	GASKET - EMI	1	
<b>22</b>	5K4149	BRACKET - E-Box	1	
----	9E9910	BRACKET - CGA board	1	Not visible in the graphic.
----	5K0074	BOARD - CGA	1	You must upgrade the CGA Firmware when you install or replace the BOARD in a i5250V or i5650V SCANNER; see DG3018-1. Not visible in the graphic.

Figure 13 SCANNER INTERCONNECT (SIC) BOARD and HARNESSES



B186\_0525HCA  
B186\_0525HC

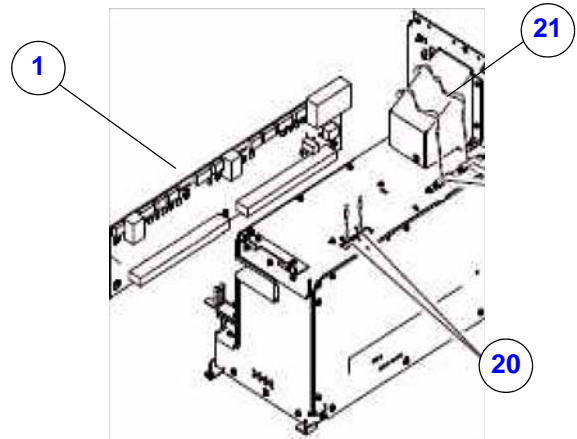
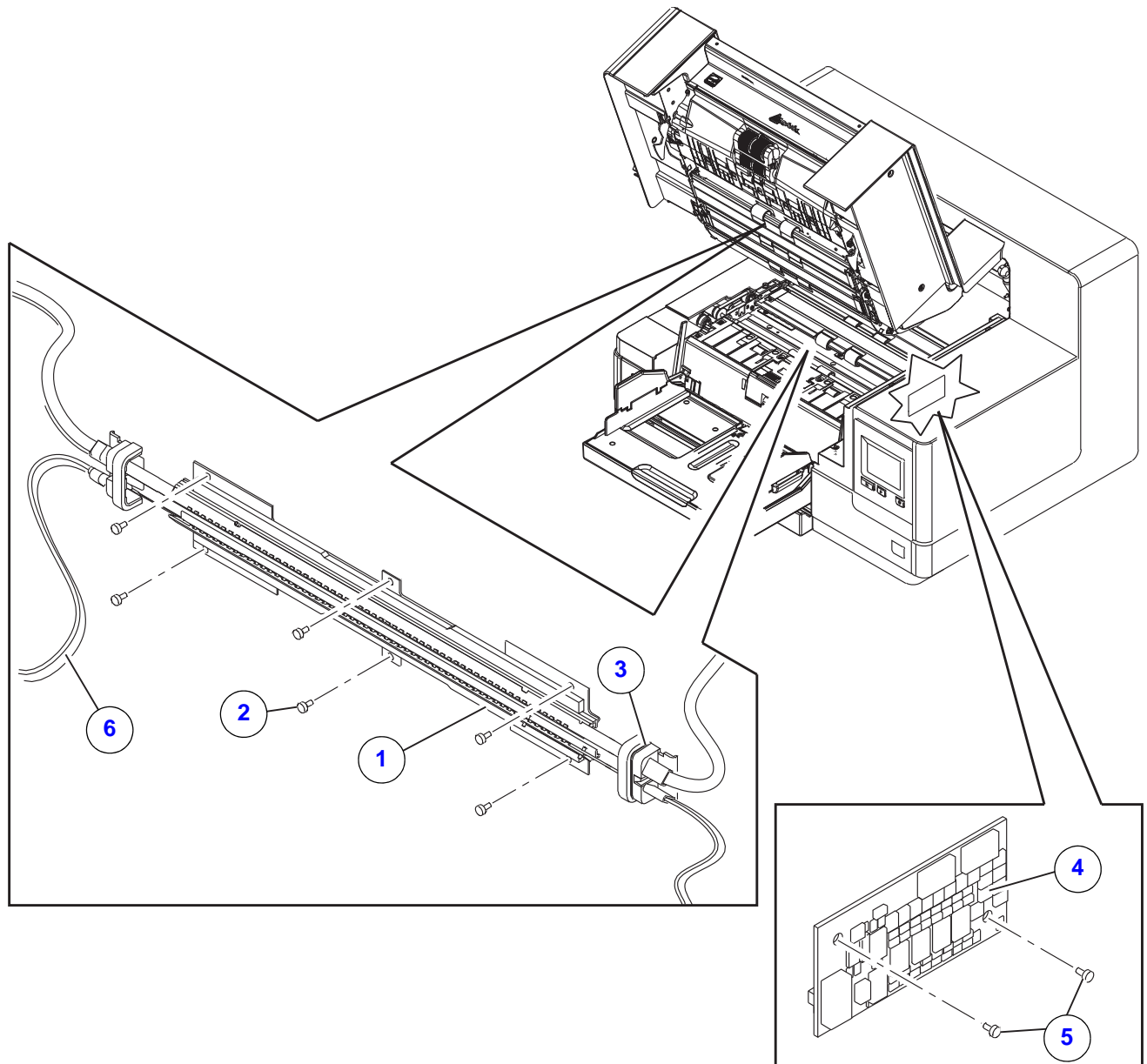


Figure 13 SCANNER INTERCONNECT (SIC) BOARD and HARNESES

Item	Part No.	Description	Quantity	Notes
1	5K2302	BOARD - scanner interconnect, SIC 3000bd, i5850	1	Includes a HARNESS.
2	9E9649	SWITCH - power LED, OCP	1	
3	9E9650	CABLE - ethernet, OCP	1	
4	5K4008	HARNESS - SIC, base, LED, FWB, staple detect, i5250/i5250V/i5650/i5650V/i5850 Rear Exit	1	
	5K3271	HARNESS - SIC, base, LED, FWB, i5850	1	
5	8F9864	HARNESS - SIC, UDDS, tx	1	
6	9E9653	HARNESS - SIC, base, elevator	1	
7	7J3928	HARNESS - SIC, motors	1	
8	9E9655	HARNESS - SIC, interlock, power supply on/off, i5250/i5250V/i5650/i5650V	1	
9	6J7775	HARNESS - SIC, interlock, power supply on/off, i5850/i5850 Rear Exit	1	
	5K3778	HARNESS - SIC, interlock, AC, i5650S/i5850S	1	
	9E9656	HARNESS - SIC, UDDS, rx intercon	1	
10	9E9657	HARNESS - SIC, pod, S0 stack, clutch	1	
11	5K2588	HARNESS - SIC, low res, printer	1	
12	5K3643	HARNESS - SIC, pod, LED, diverter, i5850 Rear Exit	1	
13	9E9660	HARNESS - SIC, LCU, power supply, motor, fans	1	
14	5K3956	HARNESS - lambda, DC output to SIC, i5250/ i5250V/i5650/i5650V	1	
	6J7774	HARNESS - lambda, DC output to SIC, i5850	1	
15	5K3958	HARNESS - lambda, DC output to SIC, i5850 Rear Exit	1	
	8F7880	RETAINER - harness, SIC	1	
	16	4H2535	CLIP - <i>Richco</i> , LWS-A-3-01	
17	5F1583	CLIP - <i>Richco</i> , LWS-A-4-01	2	
18	5F7967	SCREW - machine, pan head, <i>Torx</i> drive, zinc, M3 x 6	6	
19	981710	SCREW - machine, hex washer head, <i>Torx</i> drive, black, M3 x 0.05 x 8	2	
20	9E9795	HARNESS - IPB to scan power	2	
21	7E9439	HARNESS - cable, video	2	
----	5K3154	HARNESS - interim, FWB, i5250/i5250V/i5650/ i5650V/i5850 Rear Exit	1	
----	8F7922	HARNESS - interim, FWB, i5850	1	Not visible in the graphic.
----	6J7052	BRACKET - SIC board	1	Not visible in the graphic.



Figure 14 LED AY - Kodak i5850 SCANNER



B186\_0512DC  
B186\_0512DC

Figure 14 LED AY - Kodak i5850 SCANNER


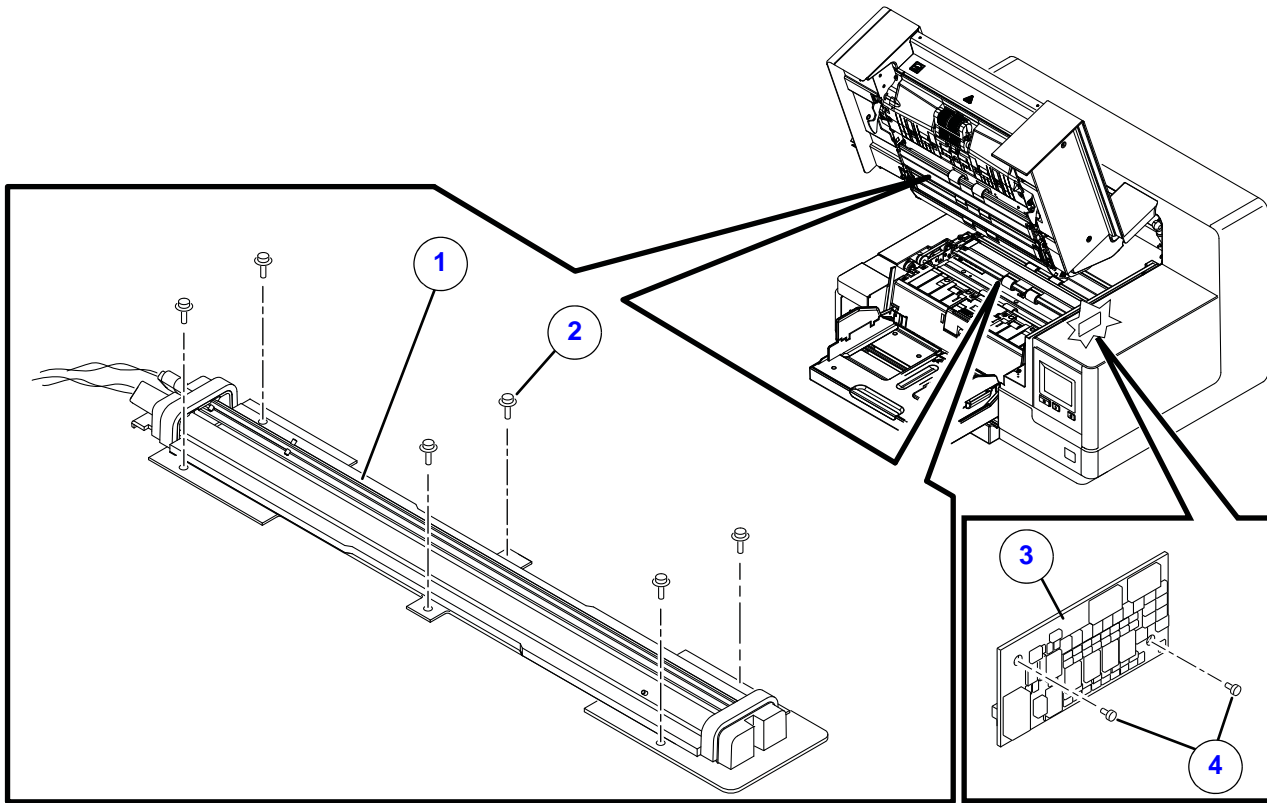
Item	Part No.	Description	Quantity	Notes
1	CP9E8446	LED AY - i5850	2	 <b>ESD</b> Possible damage from electrostatic discharge.
2	748353	SCREW - machine, hex washer head, <i>Torx</i> drive, black, M3 x 6	12	
3	9E9311	END CAP - LED AY, i5850	4	
4	8F9668	BOARD - LED driver, i5850	4	
5	5F7967	SCREW - machine, pan head, <i>Torx</i> drive, zinc, M3 x 6	8	
6	8F9892	SLEEVE - shielding, braided, i5850	8	

Figure 15 LED AY - *Kodak i5250/i5250V/i5650/i5650V/i5850* Rear Exit SCANNERS



B186\_0730HA

Figure 15 LED AY - *Kodak i5250/i5250V/i5650/i5650V/i5850* Rear Exit SCANNERS


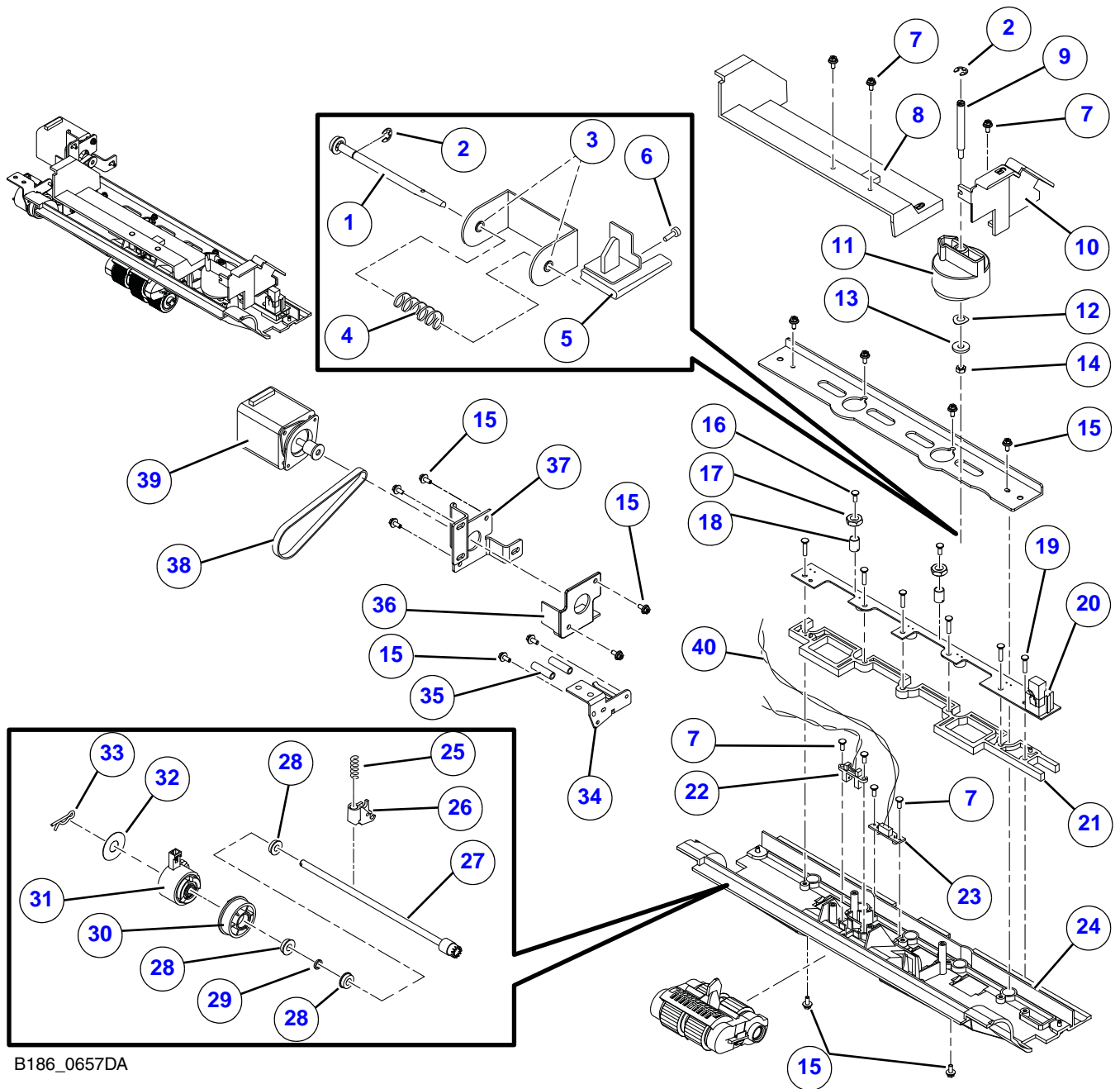
Item	Part No.	Description	Quantity	Notes
1	CP5K5209	LED AY - i5250/i5250V/i5650/ i5650V/i5650S/i5850S/i5850 Rear Exit	2	 <b>ESD</b> Possible damage from electrostatic discharge.
2	748353	SCREW - machine, hex washer head, <i>Torx</i> drive, black, M3 x 6	12	
3	5K4096	BOARD - LED driver, i5250/i5250V/ i5650/i5650V/i5650S/i5850S/ i5850 Rear Exit	2	
4	5F7967	SCREW - machine, pan head, <i>Torx</i> drive, zinc, M3 x 6	4	

Figure 16 AUTOMATIC DOCUMENT FEEDER (ADF) - Upper, 1 of 2



B186\_0657DA

Figure 16 AUTOMATIC DOCUMENT FEEDER (ADF) - Upper, 1 of 2

Item	Part No.	Description	Quantity	Notes
1	5K2880	SHAFT - feeder release, i5250/i5250V/i5650/ i5650V/i5650S/i5850S/i5850 Rear Exit	1	
	9E9444	SHAFT - feeder release, i5850	1	
2	243359	E-RING - retaining	2	
3	8F8358	BEARING - nyliner	2	
4	9E9441	SPRING - C0360-038-2500-M	1	
5	5K4044	SHAFT END - release, feeder, i5250/i5250V/i5650/ i5650V/i5650S/i5850S/i5850 Rear Exit	1	
	9E9440	SHAFT END - release, feeder, i5850	1	
6	273423	SCREW - machine, pan head, <i>Torx</i> drive, zinc, M3 x 10	1	
7	5E4874	SCREW - tapping, round washer head, <i>Torx</i> drive, zinc, M3 x 8	7	
8	5K3005	COVER - electrical, feeder, i5850/i5850S/i5850 Rear Exit	1	
9	9E9438	POST - release, feeder	1	
10	5K3006	COVER - electrical, release knob, feeder, i5850/ i5850 Rear Exit	1	
11	9E9437	KNOB - release, feeder	1	
12	9E9778	WASHER - crescent, <i>Seastrom</i> 5804-265	1	
13	9E9779	WASHER - flat	1	
14	903757	NUT - hex	1	
15	981710	SCREW - machine, hex washer head, <i>Torx</i> drive, black, M3 x 0.05 x 8	11	
16	8F7791	SCREW - tapping, round washer head, <i>Torx</i> drive, zinc, M3 x 16	2	
17	8F8419	NUT - thin, M8 x 1.0	2	
18	8F8420	SPACER - adjustable	2	
19	7J0159	SCREW - tapping, washer head, <i>Torx</i> drive, zinc, M3 x 14	6	
20	5K2323	UDDS RX PATCH AY	1	
21	5K2518	SPACER - UDDS	1	
22	9E5352	SENSOR - stack up, with cable	1	
23	5K4388	BOARD - S0 sensor, i5250/i5250V/i5650/i5650V/ i5650S/i5850S/i5850 Rear Exit	1	
	CP9E9889	BOARD - S0 sensor, i5850	1	
24	5K4580	DELTA WING - i5250/i5250V/i5650/i5650V/ i5650S/i5850S/i5850 Rear Exit	1	
	5K2519	DELTA WING - i5850	1	
25	3B2037	SPRING - LC-029C-10-MW	1	
26	9E9874	BRAKE - ADF	1	
27	5K4275	SHAFT AY - drive, feeder, i5250/i5250V/i5650/ i5650V/i5650S/i5850S/i5850 Rear Exit	1	
	5K2877	SHAFT AY - drive, feeder, i5850	1	
28	5K2459	BEARING - 6 mm	3	

Item	Part No.	Description	Quantity	Notes
<a href="#">29</a>	243236	WASHER - 0.255 x 0.352 x 0.060	1	
<a href="#">30</a>	9E8865	PULLEY - feeder, 50T	1	
<a href="#">31</a>	5E4420	CLUTCH - reel, EC25LLCCW6MM24	1	
<a href="#">32</a>	149728	WASHER - <i>Zytel</i> , 0.015 x 0.390 x 1.0	1	
<a href="#">33</a>	4C8498	PIN - clutch	1	
<a href="#">34</a>	9E8358	BRACKET - support, clutch	1	
<a href="#">35</a>	9E9747	TUBE - clutch, stop	2	
<a href="#">36</a>	6J7969	GUARD - motor, ADF	1	
<a href="#">37</a>	6J7968	BRACKET - motor, ADF	1	
<a href="#">38</a>	9E8208	BELT - timing, 132T	1	
<a href="#">39</a>	6J7946	MOTOR AY - transport, ADF	1	
<a href="#">40</a>	8F8099	HARNESS - S0	1	



Figure 17 AUTOMATIC DOCUMENT FEEDER (ADF) - Upper, 2 of 2

Item	Part No.	Description	Quantity	Notes
1	5K4245	BOARD AY - patch IDP, i5250/i5250V/i5650/i5650V/ i5650S/i5850S/i5850 Rear Exit	1	
	5K3153	BOARD AY - patch IDP, i5850	1	
2	5K2589	HARNESS - microphone	3	Includes the MICROPHONE.
3	5K2898	MICROPHONE - mount, center	1	
4	5K2890	MICROPHONE - mount, side	2	
5	5K2518	SPACER - UDDS	1	
6	5K2590	HARNESS - patch sensor AY	4	
7	5K3157	RETAINER - sensors	2	
8	5K2323	UDDS RX PATCH AY	1	
9	5K4580	DELTA WING - i5250/i5250V/i5650/i5650V/i5650S/ i5850S/i5850 Rear Exit	1	
	5K2519	DELTA WING - i5850	1	
10	5K3558	RETAINER - microphone, i5250/i5250V/i5650/ i5650V/i5650S/i5850S/i5850 Rear Exit	2	
11	5E4874	SCREW - tapping, round washer head, Torx drive, zinc, M3 x 8	2	
12	5K2587	HARNESS - patch IDP board to UDDS rx patch AY	1	
---	5K4011	HARNESS - SIC board to patch IDP board, i5250/ i5250V/i5650/i5650V/i5650S/i5850S/i5850 Rear Exit	1	Not visible in the graphic.
---	5K3169	HARNESS - SIC board to patch IDP board, i5850	1	Not visible in the graphic.

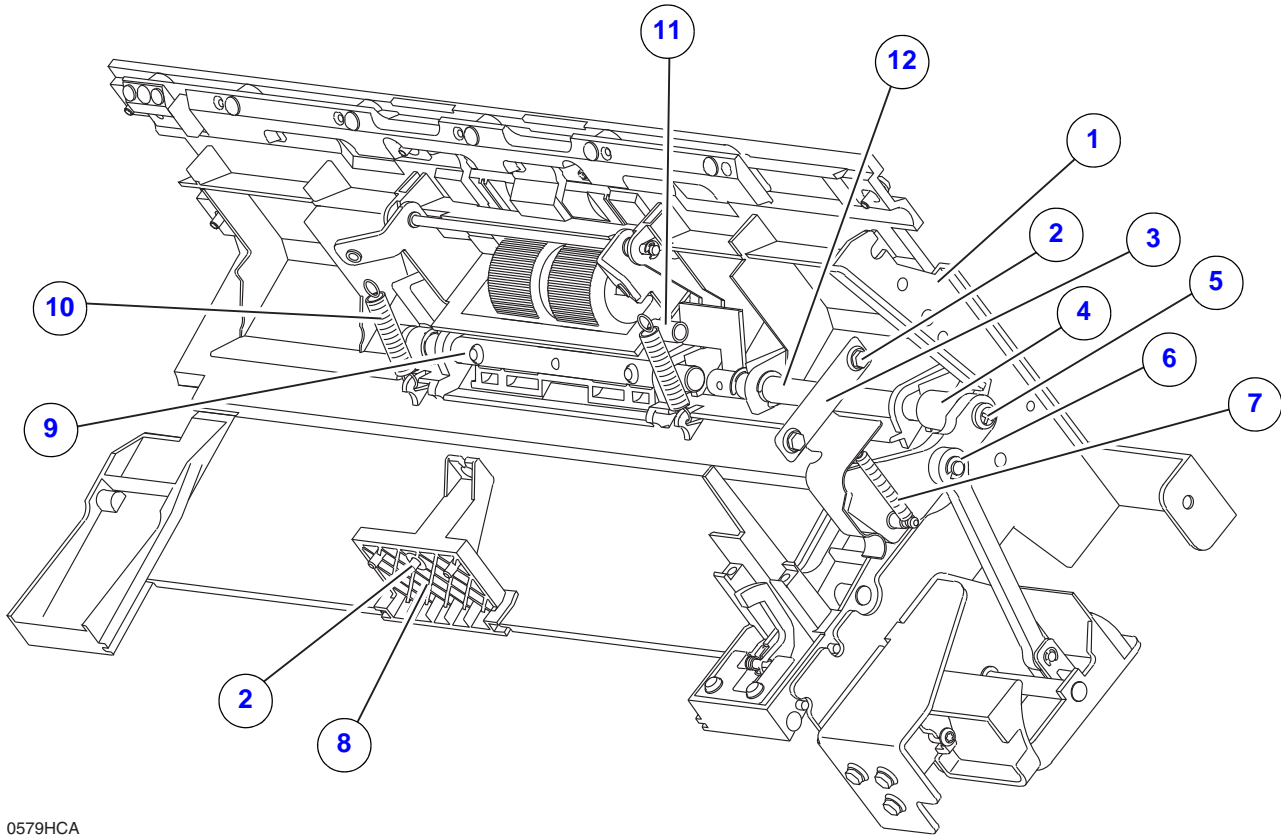




Figure 18 AUTOMATIC DOCUMENT FEEDER (ADF) - Lower, 1 of 3

Item	Part No.	Description	Quantity	Notes
1	5K4433	BAFFLE AY - lower, ADF, i5250/i5250V/ i5650/i5650V/i5650S/i5850S/i5850 Rear Exit	1	Does not include Item 6.
	CP8F7821	BAFFLE AY - lower, ADF, i5850	1	Does not include Item 6.
2	8F9628	HOLE FILLER	4	
3	9E3266	TAPE - reflective	1	
4	8F8394	COVER - elevator pinion, right	1	
5	5E4874	SCREW - tapping, round washer head, <i>Torx</i> drive, zinc, M3 x 8	10	
6	CP8F9848	BOARD - UDDS, tx	1	
7	8F9901	RETAINER - UDDS	1	
8	6J7393	RESTRAINT - UDDS	1	
9	981710	SCREW - machine, hex washer head, <i>Torx</i> drive, black, M3 x 0.05 x 8	6	
10	CP8F9889	COVER - elevator pinion	1	
11	-----	SEPARATION ROLLER AY	1	Not a service part; the customer orders it.
12	9E8927	SENSOR - elevator home	1	
13	5F7967	SCREW - machine, pan head, <i>Torx</i> drive, zinc, M3 x 6	2	
14	9E8872	DOOR - access	1	
15	5K4414	SENSOR - staple detect, i5250/i5250V/ i5650/i5650V/i5650S/i5850S/i5850 Rear Exit	2	
16	5K4394	RETAINER - sensor, staple detect, left, i5250/i5250V/i5650/i5650V/i5650S/ i5850S/i5850 Rear Exit	1	
17	5K4395	RETAINER - sensor, staple detect, right, i5250/i5250V/i5650/i5650V/i5650S/ i5850S/i5850 Rear Exit	1	
18	8CK132	SCREW - tapping, pan washer head, <i>Torx</i> drive, zinc, M3 x 12	6	
---	5K4010	HARNESS - metal detect, interim, i5250/ i5250V/i5650/i5650V/i5650S/i5850S/ i5850 Rear Exit	2	Not visible in the graphic. Connects to 5K4209 and 5K4414.
---	5K4209	HARNESS - metal detect, main, i5250/ i5250V/i5650/i5650V/i5650S/i5850S/ i5850 Rear Exit	1	Not visible in the graphic. Connects to 5K4010 and 5K4245.
---	5K4579	TAPE - foil, staple detect, left, i5250/i5250V/ i5650/i5650V/i5650S/i5850S/i5850 Rear Exit	1	Not visible in the graphic.

Figure 19 AUTOMATIC DOCUMENT FEEDER (ADF) - Lower, 2 of 3



B186\_0579HCA  
B186\_0579HC

Figure 19 AUTOMATIC DOCUMENT FEEDER (ADF) - Lower, 2 of 3

Item	Part No.	Description	Quantity	Notes
1	6J7285	PLATE - stiffener, weldment	1	
2	981710	SCREW - machine, hex washer head, <i>Torx</i> drive, black, M3 x 0.05 x 8	6	
3	9E9838	SPRING - detent, gap release	1	
4	9E8810	ARM - actuator, separation rollers	1	
5	1E3046	SCREW - machine, pan head, <i>Phillips</i> drive, zinc, M4 x 30	1	
6	6E6559	CLIP - retainer	1	
7	7E0733	SPRING - <i>Lee</i> , EIM030D 08 S	1	
8	8F8421	RETAINER - ADF baffle, center	1	
9	8CK132	SCREW - tapping, pan washer head, <i>Torx</i> drive, zinc, M3 x 12	3	
10	3E9567	SPRING - extension	2	
11	9E9746	TUBE - gap release	1	
12	9E8373	SHAFT - gap release	1	

Figure 20 AUTOMATIC DOCUMENT FEEDER (ADF) - Lower, 3 of 3

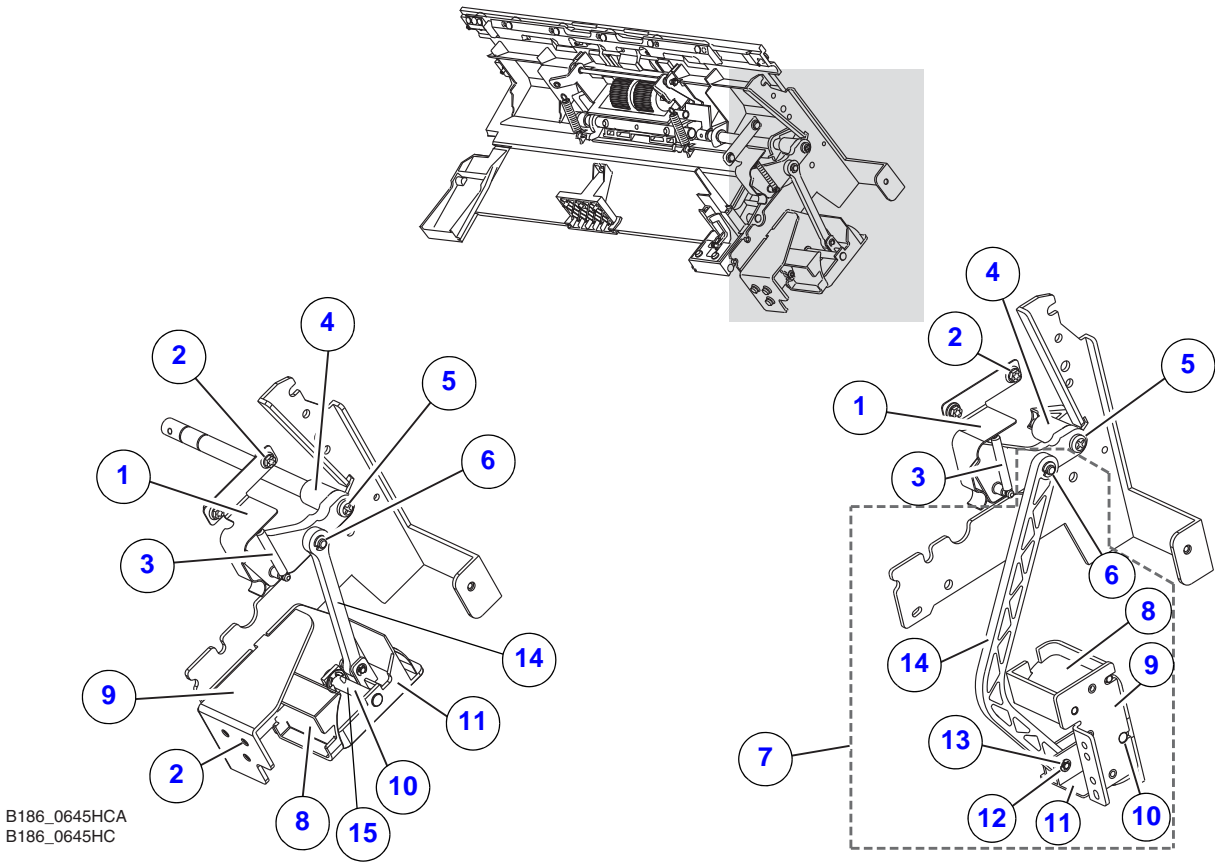
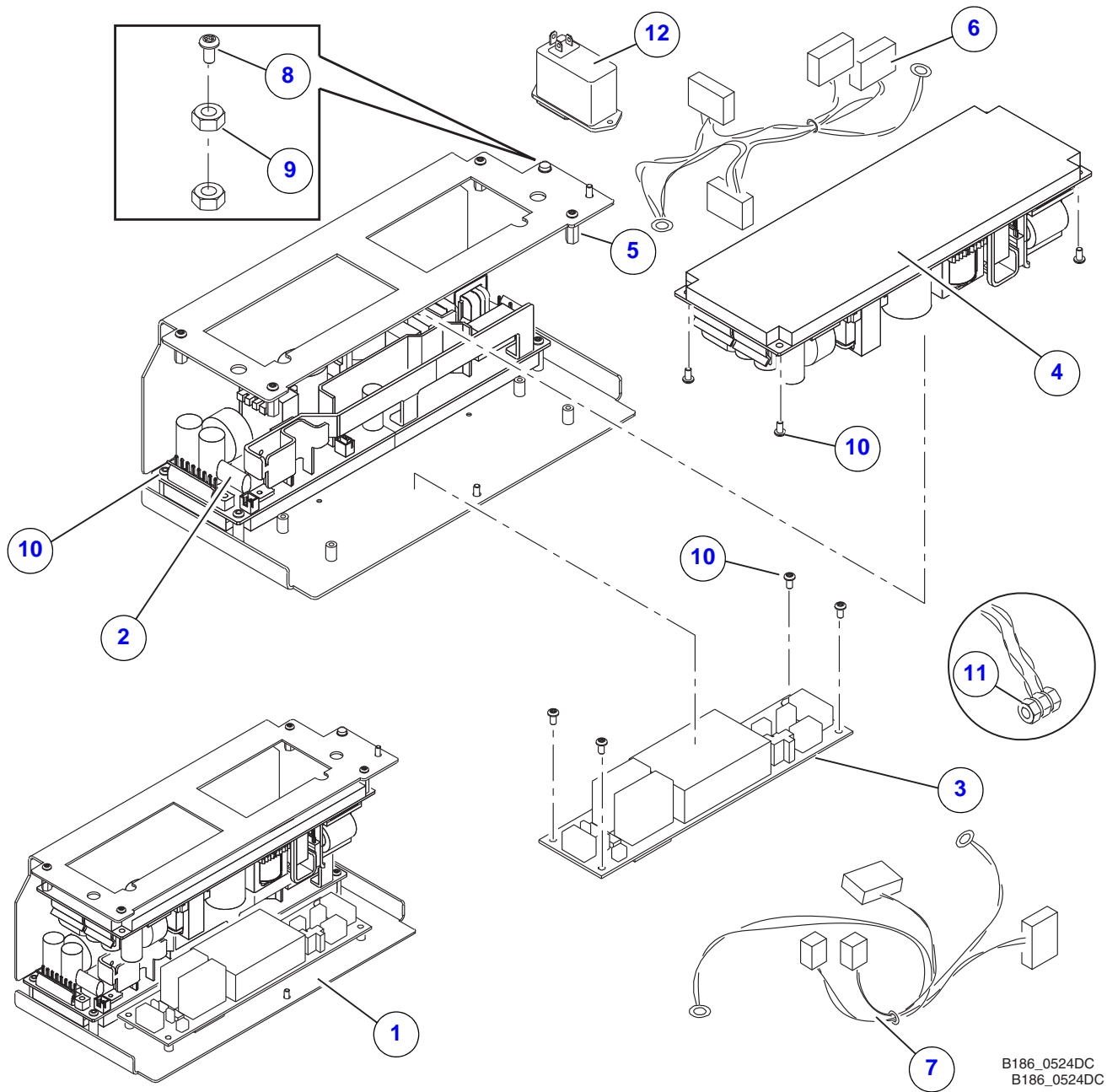


Figure 20 AUTOMATIC DOCUMENT FEEDER (ADF) - Lower, 3 of 3

Item	Part No.	Description	Quantity	Notes
1	9E9838	SPRING - detent, gap release	1	
2	981710	SCREW - machine, hex washer head, <i>Torx</i> drive, black, M3 x 0.05 x 8	4	
3	7E0733	SPRING - <i>Lee</i> , EIM030D 08 S	1	
4	9E8810	ARM - actuator, separation rollers	1	
5	1E3046	SCREW - machine, pan head, <i>Phillips</i> drive, zinc, M4 x 30	1	
6	6E6559	CLIP - retainer	1	
7	6J7366	BRACKET AY - gap release, i5850/i5850S/i5850 Rear Exit	1	
8	8F8035	COVER - actuator, lower	1	
9	6J7286	BRACKET - gap release, weldment, i5250/i5250V/i5650/i5650V/i5650S	1	
	6J7755	BRACKET - gap release, weldment, i5850/i5850S/i5850 Rear Exit	1	
10	6J7315	PIN MOUNT - actuator arm	1	
11	9E9829	BUTTON - gap release, i5250/i5250V/i5650/i5650V/i5650S	1	
	7J3500	BUTTON - gap release, i5850/i5850S/i5850 Rear Exit	1	
12	9E8799	LINK - pin, diverter	1	
13	315219	E-RING - M3	2	
14	9E9830	LINK - release, gap, i5250/i5250V/i5650/i5650V/i5650S	1	
	7J3502	LINK - release, gap, i5850/i5850S/i5850 Rear Exit	1	
15	243359	E-RING - retaining	1	Attached to the PIN MOUNT - actuator arm.

Figure 21 POWER SUPPLIES - Kodak i5250/i5250V/i5650/i5650V/i5650S/i5850S SCANNERS

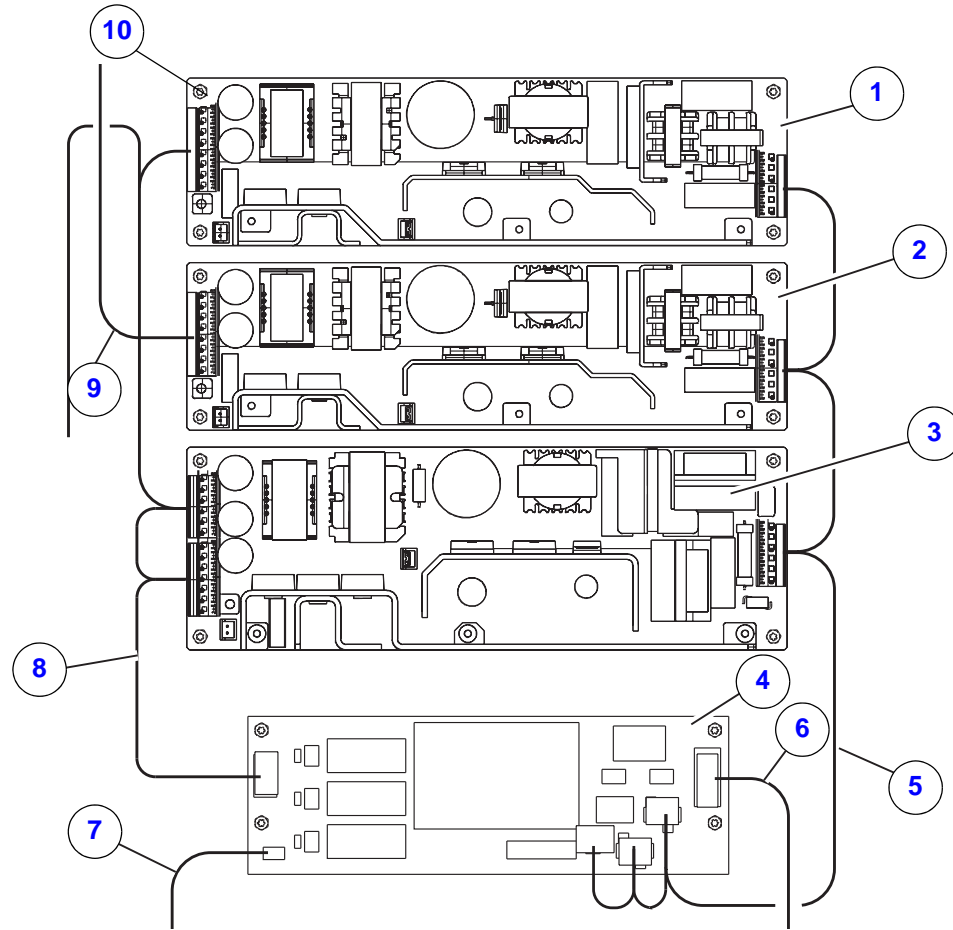


B186\_0524DC  
B186\_0524DC

Figure 21 POWER SUPPLIES - Kodak i5250/i5250V/i5650/i5650V/i5650S/i5850S SCANNERS

Item	Part No.	Description	Quantity	Notes
1	5K3937	POWER SUPPLY AY - i5250/i5250V/i5650/i5650V/i5650S	1	
2	5K3659	POWER SUPPLY - lambda, 12 V, i5250/i5250V/i5650/i5650V/i5650S/i5850S/i5850 Rear Exit	1	
3	5K0706	BOARD - AC power, i5250/i5250V/i5650/i5650V/i5650S	1	
4	5K3658	POWER SUPPLY - lambda, 24 V, i5250/i5250V/i5650/i5650V/i5650S/i5850S/i5850 Rear Exit	1	
5	5F8689	STANDOFF - hex head, M3 x 14	4	
6	5K3955	HARNESS - AC power to lambda power supply, i5250/i5250V/i5650/i5650V/i5650S	1	
7	9E9664	HARNESS - AC inlet to AC power board, i5250/i5250V/i5650/i5650V/i5650S	1	
8	4C8418	SCREW - machine, pan head, <i>Phillips</i> drive, zinc, M3x16	1	
9	5F1872	NUT - zinc plated, M3 x 0.5	2	
10	7J4099	SCREW - machine, hex head, <i>Torx</i> drive, steel, RoHS, M3 x 0.5 x 6	16	
11	5E5028	NUT - lock, with washer, M4	3	
12	2F9567	FILTER INLET - AC	1	
---	2F9565	FUSE - power supply, 6.3 A, i5250/i5250V/i5650/i5650V/i5650S	2	Not visible in the graphic.

Figure 22 POWER SUPPLIES - Kodak i5850/i5850S/i5850 Rear Exit SCANNERS



B186\_0643HCA  
B186\_0643HC

Figure 22 POWER SUPPLIES - Kodak i5850/i5850S/i5850 Rear Exit SCANNERS

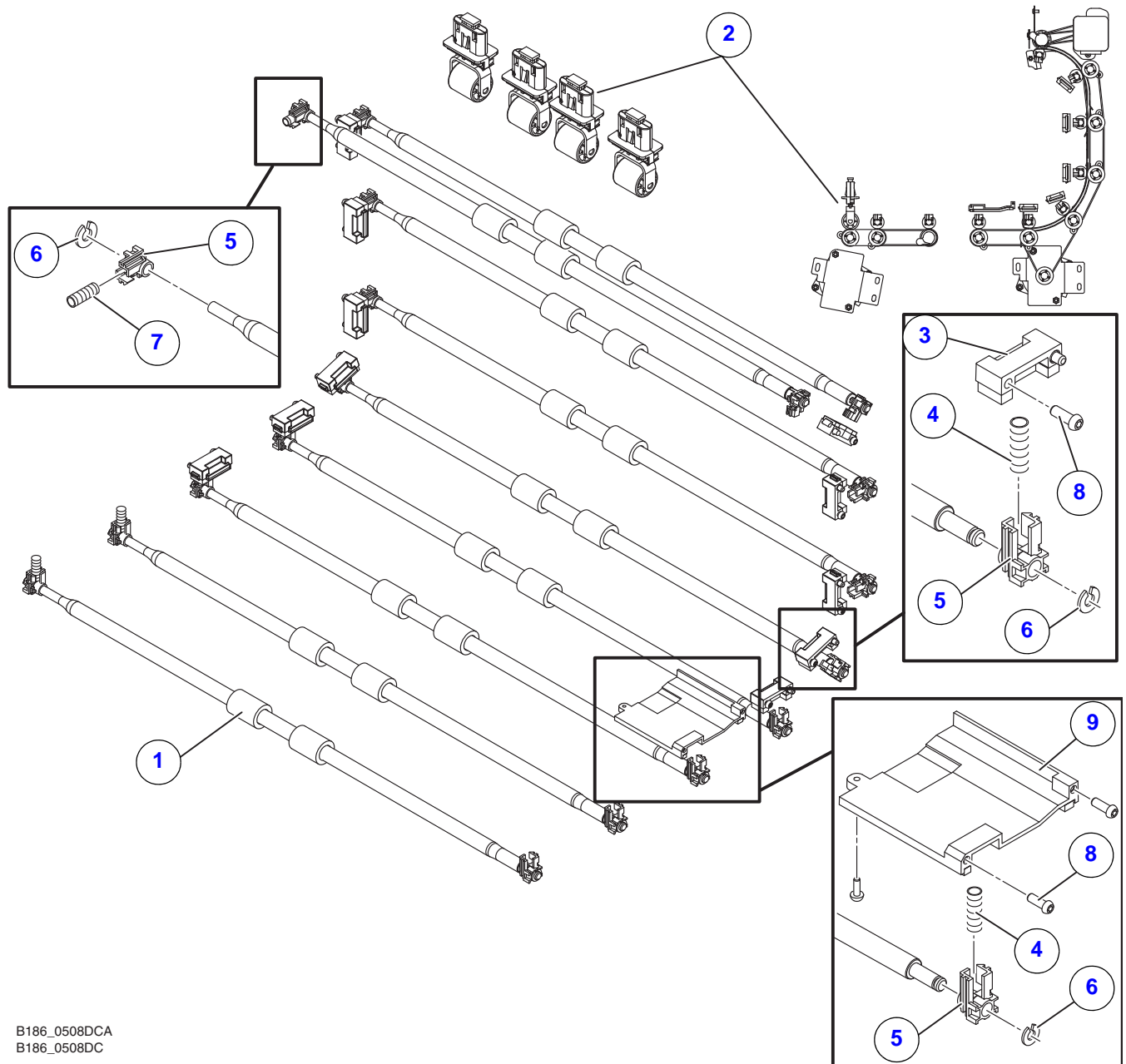
Item	Part No.	Description	Quantity	Notes
1	5K3659	POWER SUPPLY - lambda, 12 V, i5250/i5250V/i5650/i5650V/i5650S/i5850S/i5850 Rear Exit	1	
	CP8F9812	POWER SUPPLY - lambda, 12 V, i5850	1	
2	7J0471	POWER SUPPLY - lambda, 24 V, lift, i5850	1	
	5K3929	POWER SUPPLY - lambda, 24 V, lift, i5850S/i5850 Rear Exit	1	
3	5K3658	POWER SUPPLY - lambda, 24 V, i5250/i5250V/i5650/i5650V/i5650S/i5850S/i5850 Rear Exit	1	
	CP8F9811	POWER SUPPLY - lambda, 24 V, i5850	1	

**ILLUSTRATED PARTS LIST**

<b>Item</b>	<b>Part No.</b>	<b>Description</b>	<b>Quantity</b>	<b>Notes</b>
<b>4</b>	6J7760	POWER SUPPLY - AC, i5850	1	
	5K0708	POWER SUPPLY - AC, i5850S/i5850 Rear Exit	1	
<b>5</b>	6J7773	HARNESS - AC power to lambda power supply, i5850	1	
	5K3957	HARNESS - AC power to lambda power supply, i5850S/ i5850 Rear Exit	1	
<b>6</b>	6J7649	HARNESS - AC inlet to AC power, i5850/i5850S/i5850 Rear Exit	1	
<b>7</b>	7J3778	HARNESS - SIC, power supply on/off, i5850/i5850S/i5850 Rear Exit	1	
<b>8</b>	5K3956	HARNESS - lambda, DC output to SIC, i5250/i5250V/i5650/ i5650V/i5650S	1	
	6J7774	HARNESS - lambda, DC output to SIC, i5850	1	
	5K3958	HARNESS - lambda, DC output to SIC, i5850S/i5850 Rear Exit	1	
<b>9</b>	6J7776	HARNESS - power supply, lift, i5850/i5850S/i5850 Rear Exit	1	
<b>10</b>	7J4099	SCREW - machine, hex head, <i>Torx</i> drive, steel, RoHS, M3 x 0.5 x 6	16	
---	2F9567	FILTER INLET - AC	1	Not visible in the graphic.



Figure 23 TRANSPORT ROLLERS - POD



B186\_0508DCA  
B186\_0508DC

Figure 23 TRANSPORT ROLLERS - POD

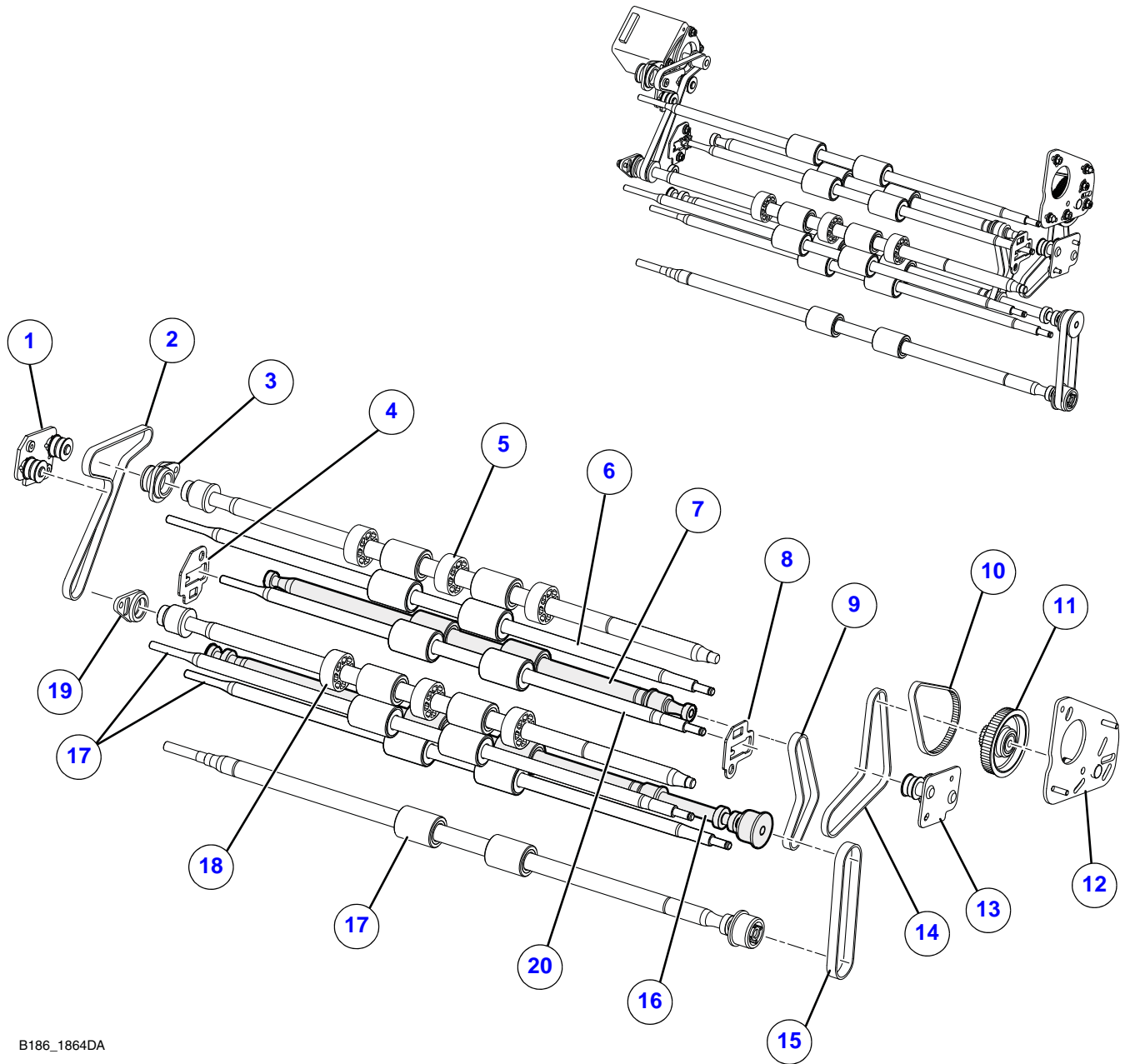
Item	Part No.	Description	Quantity	Notes
1	5K2396	SHAFT AY - pod	9	Each NFR is ordered individually.
2	7J4487	ROLLER - takeaway, NFR	4	
3	9E8932	DUST COVER - NFR	11	
4	3C9239	SPRING - compression, end block	16	
5	6E6544	END BLOCK - bearing	18	
6	6E6559	CLIP - retainer	18	
7	7J3841	SPRING - exit roller, NFR	2	
8	9E5636	SCREW - self-tapping, pan head, <i>Torx</i> drive, zinc, M2.5 x 8	14	
9	9E9325	COVER - dust	1	
---	7J3653	TRANSPORT ROLLERS KIT - pod and base, NCR paper	1	For carbonless paper only. Includes 19 ROLLERS. The TAKEAWAY SHAFT is not included.



**Figure 24 TRANSPORT ROLLERS - BASE - Kodak i5250/i5250V/i5650/i5650V/i5850/i5850 Rear Exit SCANNERS**

Item	Part No.	Description	Quantity	Notes
1	5K2469	SHAFT AY - takeaway	1	A
2	5K2404	SHAFT - orange	3	B, F, H
3	5K2401	SHAFT - dark brown	1	C
4	5K2465	SHAFT - yellow	1	D
5	5K3663	SHAFT - white	1	E
	5K2467	SHAFT - white, i5850	1	E
6	5K2405	SHAFT - green	1	G
7	5K2468	SHAFT AY - drive, 10G, light brown	1	I, 10 grooves
8	5K2466	SHAFT AY - corrugated	1	J
9	9E8301	BELT - timing, 63T	1	
10	9E4089	BELT - timing, 91T	1	
11	9E4093	BELT - timing, 93T	3	
12	9E7973	BELT - timing, 95T	1	
13	6J7946	MOTOR AY - transport, ADF	2	
14	5K2174	MOTOR AY - transport, ADF, exit	1	
15	9E4903	BRACKET - motor, exit	1	
16	9E9365	BELT - timing, 80T	1	
17	9E7972	BELT - timing, 120T	1	
18	7J4038	BELT - timing, 84T	1	
19	5K3661	BRACKET - motor	1	
20	6J7947	BRACKET - motor, i5850	1	
	7J4035	BRACKET - motor	1	
21	981710	SCREW - machine, hex washer head, Torx drive, black, M3 x 0.05 x 8	9	
22	9E9796	RETAINER - bearing	9	
---	CP5K2464	SHAFT AY - set drive, i5850	1	Includes 9 DRIVE SHAFTS (Items 2-8). The TAKEAWAY SHAFT (Item 1) is not included.
---	7J3653	TRANSPORT ROLLERS KIT - pod and base, NCR paper	1	For carbonless paper only. Includes 19 ROLLERS. The TAKEAWAY SHAFT (Item 1) is not included.

Figure 25 ROLLERS - Kodak i5650S/i5680S SCANNERS

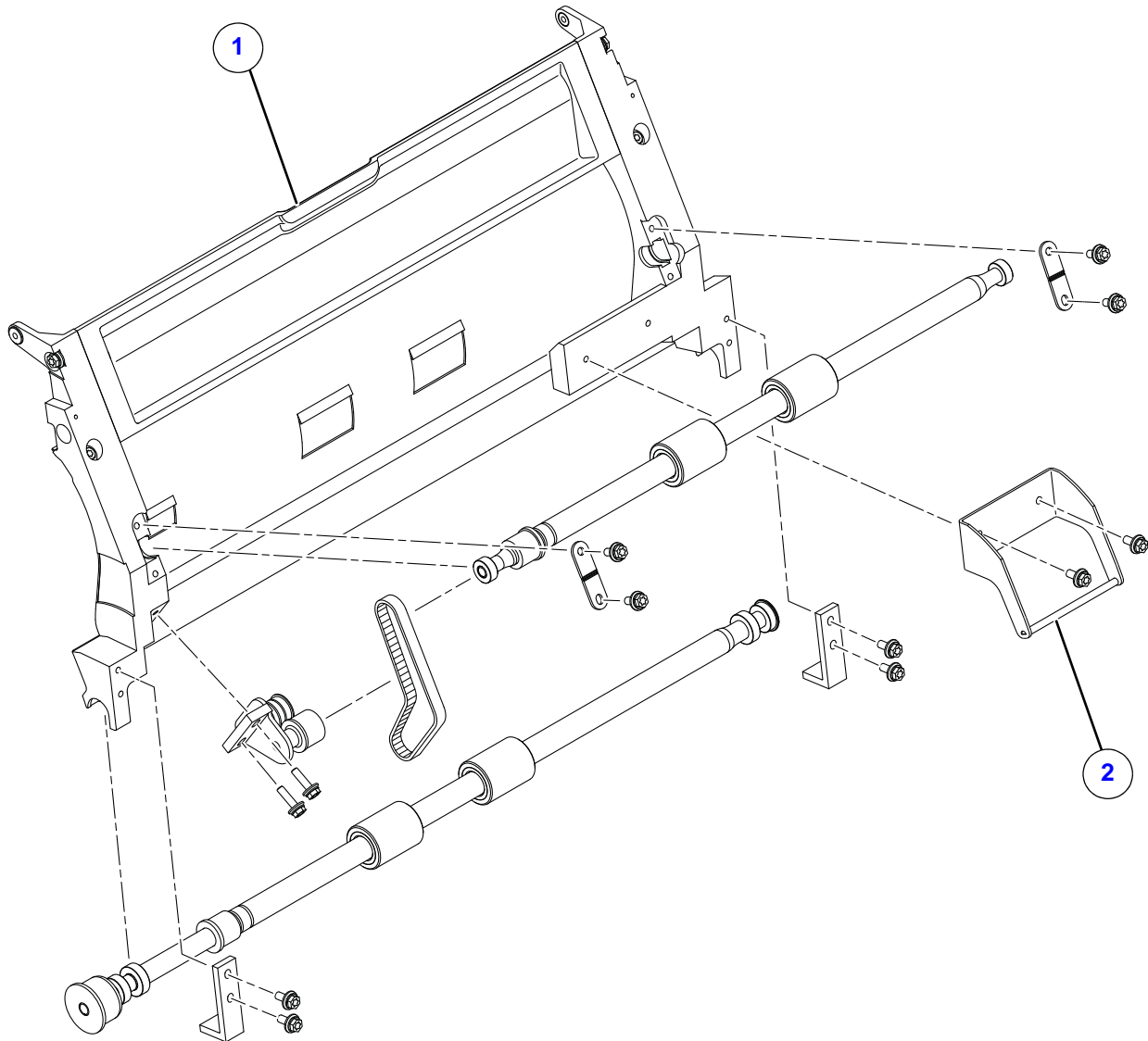


B186\_1864DA

Figure 25 ROLLERS - *Kodak i5650S/i5680S* SCANNERS

Item	Part No.	Description	Quantity	Notes
1	5K5946	PLATE AY, idler	1	
2	5K3187	BELT - TIMING 154T	1	
3	5K5074	BEARING - ADAPTER	1	
4	5K3189	PLATE - NFR SORTER LEFT	1	
5	5K5260	SHAFT AY - DRIVE EXIT SORTER	1	
6	5K2397	ROLLER AY, normal force	1	
7	----	SHAFT AY- drive (Included with Clamshell)	1	
8	5K3188	PLATE - NFR SORTER RIGHT	1	
9	----	BELT - timing, 87T (Included with Clamshell)	1	
10	5K5189	BELT - timing 81T	1	
11	5K3595	PULLEY AY, 63T, 23T	1	
12	5K4481	MOUNT PLATE AY	1	
13	CP5K2385	PLATE AY, idler	1	
14	5K3749	BELT - timing 120T	1	
15	9E7973	BELT - timing, 95T	1	
16	----	SHAFT AY- drive pivot, sorter (Included with Clamshell)	1	
17	5K2396	SHAFT AY - NFR	9	
18	5K4882	ROLLER DRIVE	1	
19	5K5258	BEARING - ADAPTER, LOWER	1	
20	5K3194	SHAFT AY, NFR diverter	1	

Figure 26 UPPER CLAMSHELL Including EXIT DRIVE ROLLERS - Kodak i5650S/i5680S SCANNERS

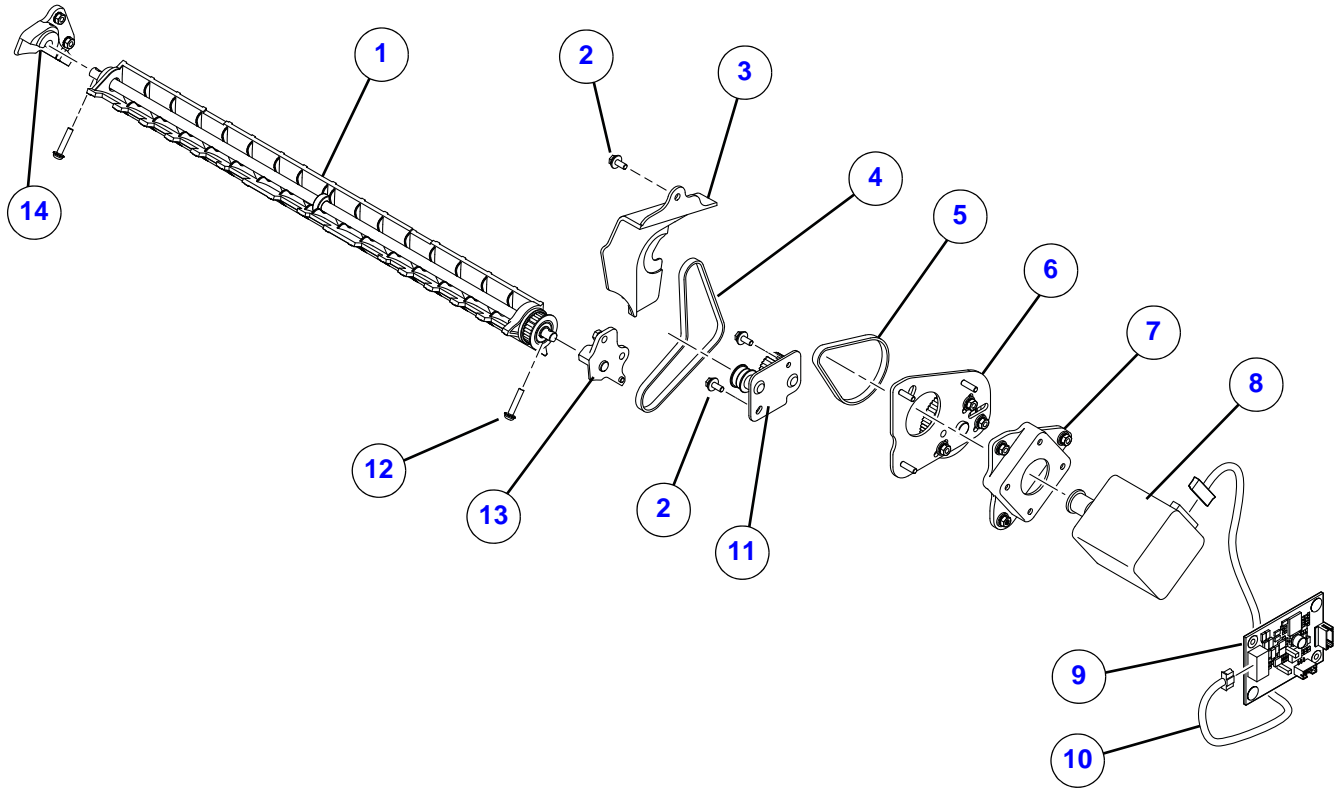


B186\_1857DA

Figure 26 UPPER CLAMSHELL Including EXIT DRIVE ROLLERS - Kodak i5650S/i5680S SCANNERS

Item	Part No.	Description	Quantity	Notes
1	CP5K5745	SORTER CLAMSHELL AY	1	SORTER CLAMSHELL AY includes: BAFFLE, SHAFT AY- drive, SHAFT AY- drive pivot, BELT - TIMING 120T, IDLER AY, BEARING CLAMPS, PIVOT ARM AY - left, and PIVOT ARM AY - right.
2	5K3355	ACTUATOR - INTERLOCK	1	

Figure 27 DIVERTER AY - Kodak i5650S/i5680S SCANNERS



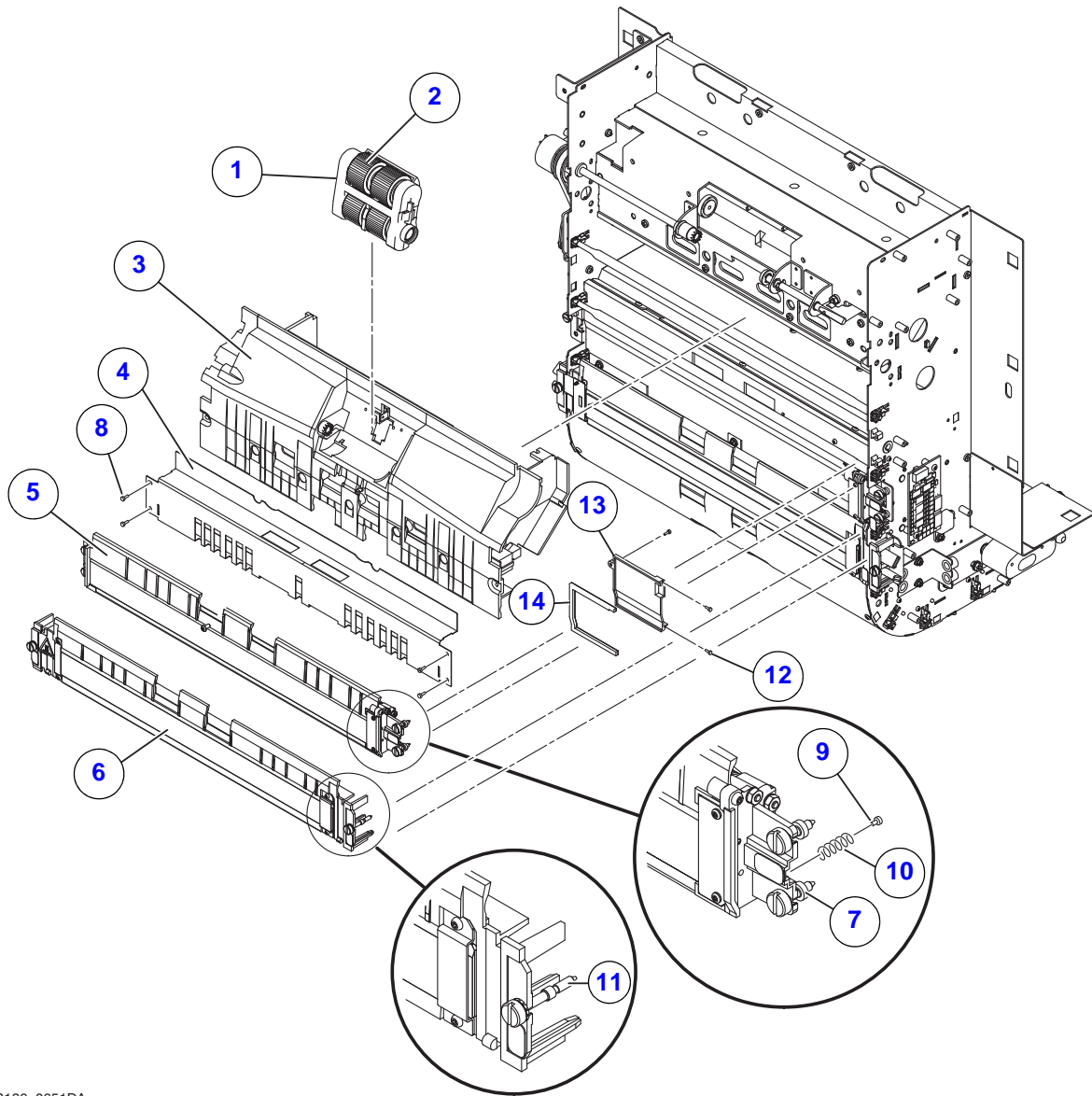
B186\_1836HA

Figure 27 DIVERTER AY - Kodak i5650S/i5680S SCANNERS

Item	Part No.	Description	Quantity	Notes
1	CP5K5941	DIVERTER AY - upper	1	
2	981710	SCREW - machine, hex washer head, Torx drive, black, M3 x 0.05 x 8	1	
3	5K5266	SHIELD - protective	1	
4	5K3749	BELT - timing 120T	1	
5	5K5189	BELT - timing 81T	1	
6	5K4481	MOUNT PLATE AY	1	
7	5K5187	MOUNT - MOTOR	1	This item is not stocked.
8	5K2181	MOTOR AY	1	
9	5K5286	BOARD - DIVERTER MOTOR DRIVER	1	
10	5K5289	HARNESS - relay to 2 PKT SORTER	1	
11	CP5K3285	DIVERTER IDLER AY	1	
12	5K3515	SCREW - SEMS, LK Wash. pan head, Torx drive, M3 x 16	2	
13	5K5255	BEARING PUCK, right	1	
14	5K3446	BEARING PUCK, left	1	



Figure 28 IMAGING GUIDES - POD

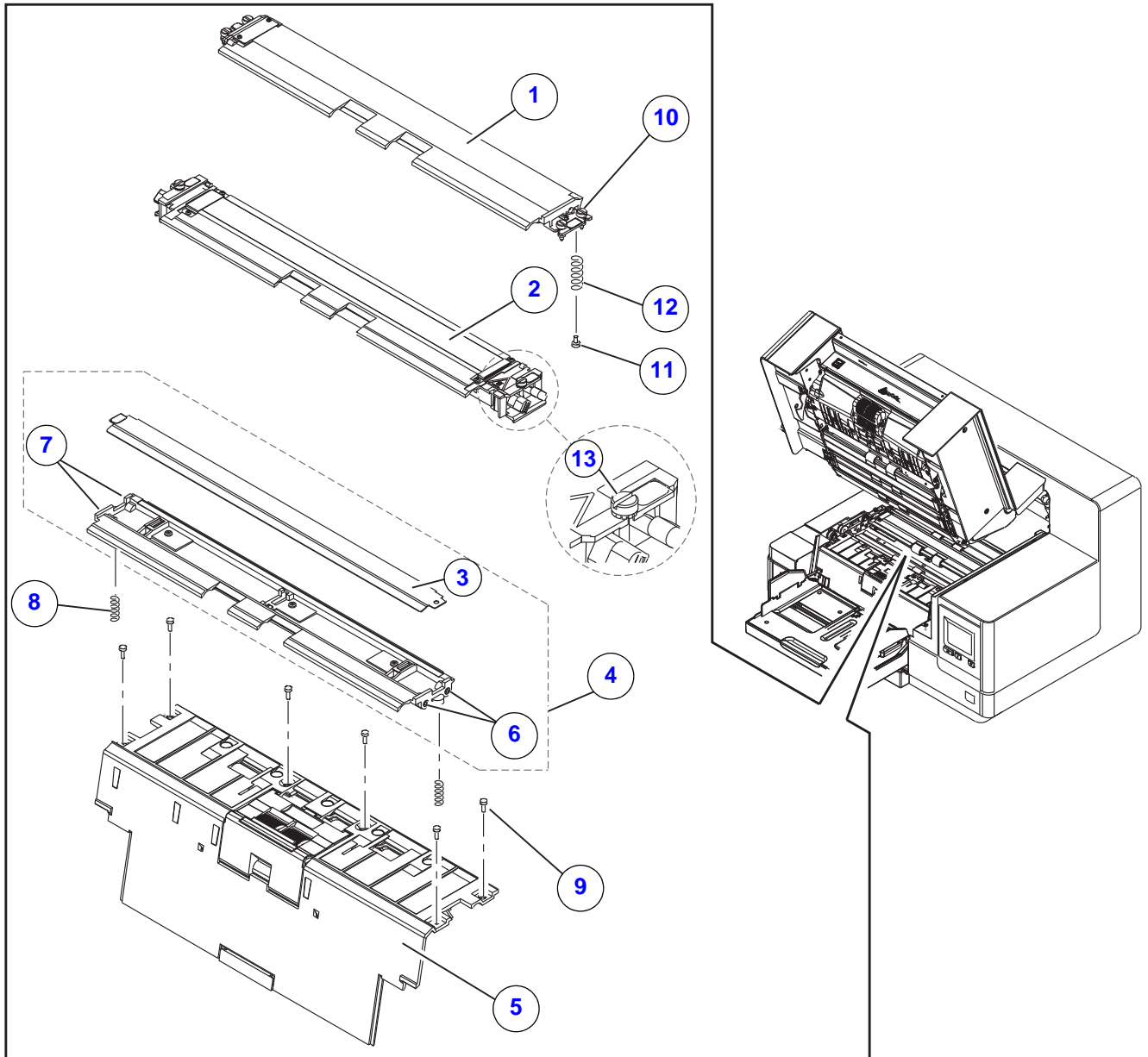


B186\_0651DA

Figure 28 IMAGING GUIDES - POD

Item	Part No.	Description	Quantity	Notes
1	-----	FEED MODULE	1	Not a service part; the customer orders it.
2	-----	TIRE	4	Not a service part; the customer orders it.
3	5K4580	DELTA WING - i5250/i5250V/i5650/i5650V/i5650S/i5850S/i5850 Rear Exit	1	
4	5K2519	DELTA WING - i5850	1	
5	8F9971	CENTER CHANNEL	1	
5	-----	BACKGROUND AY - flip-type, non-ribbed, pod	1	Not a service part; the customer orders it.
6	-----	BACKGROUND AY - flip-type, ribbed, printer	1	Not a service part; the customer orders it.
6	-----	IMAGING GUIDE AY - ribbed, printer	1	Not a service part; the customer orders it.
6	-----	IMAGING GUIDE AY - non-ribbed, pod	1	Not a service part; the customer orders it.
7	9E9777	SCREW - thumb, short	4	
8	5F7967	SCREW - machine, pan head, <i>Torx</i> drive, zinc, M3 x 6	4	
9	691944	SCREW - tapping, pan head, <i>Torx</i> drive, zinc, M2 x 4	2	
10	8F9764	SPRING - compression, background AY	2	
11	9E3014	SCREW - thumb, long	2	
12	9E5636	SCREW - self-tapping, pan head, <i>Torx</i> drive, zinc, M2.5 x 8	3	
13	9E9325	COVER - dust	1	
14	9E9327	FOAM - dust cover	1	

Figure 29 IMAGING GUIDES AND BAFFLES - BASE

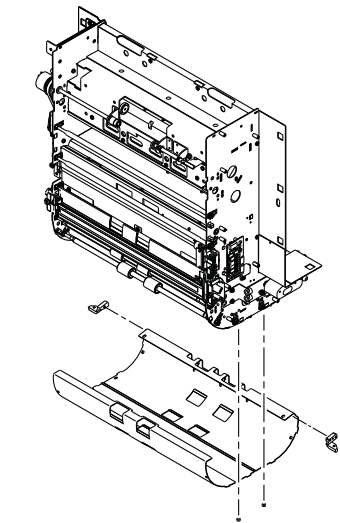
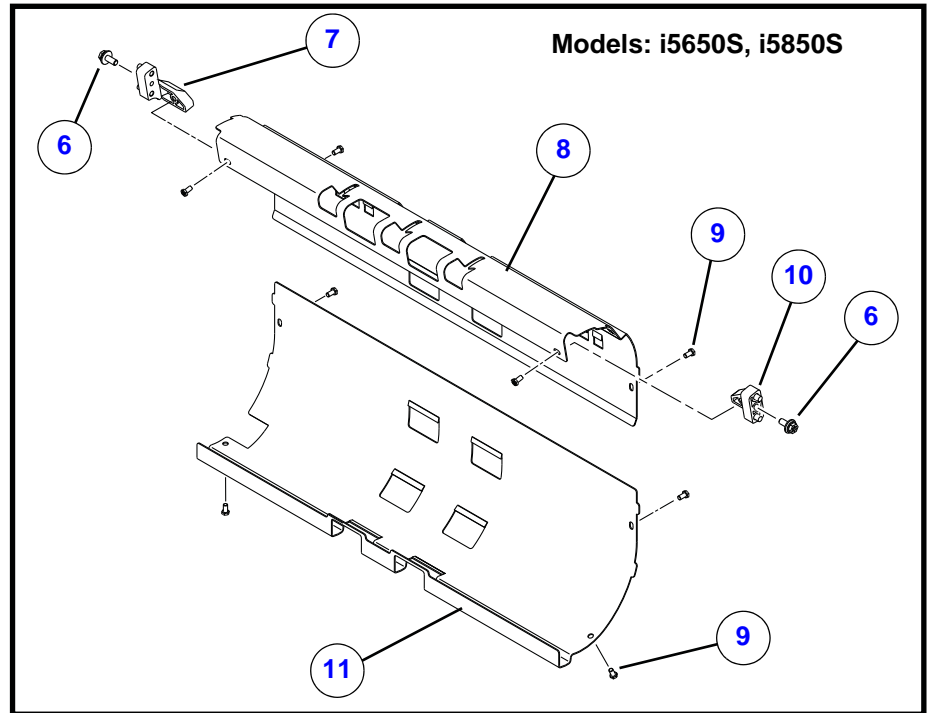


B186\_0562DCA  
B186\_0562DC

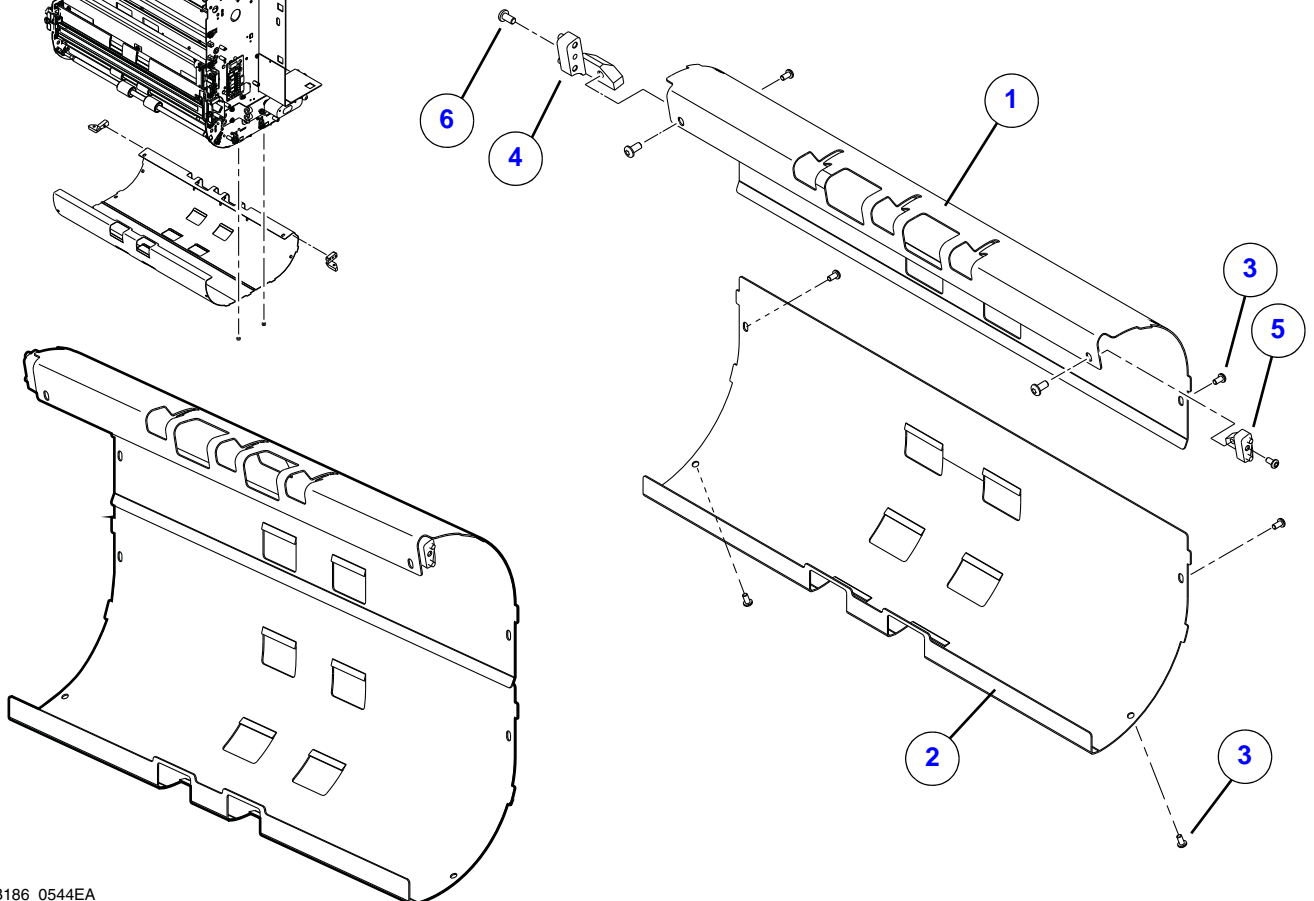
**Figure 29 IMAGING GUIDES AND BAFFLES - BASE**

Item	Part No.	Description	Quantity	Notes
1	-----	BACKGROUND AY - flip-type, non-ribbed, base	1	Not a service part; the customer orders it.
2	-----	IMAGING GUIDE - non-ribbed, base	1	Not a service part; the customer orders it.
3	CP9E3357	STRIP - baffle, backup, black	1	
4	CP8F8444	BAFFLE AY - printer backup	1	
5	5K4433	BAFFLE AY - lower, ADF, i5250/i5250V/i5650/i5650V/i5650S/i5850S/i5850 Rear Exit	1	
	CP8F7821	BAFFLE AY - lower, ADF, i5850	1	
6	8F9822	PIN - backup	2	
7	3B7089	SCREW - shoulder, slotted head, slotted drive, M3 x 4	2	
8	790741	SPRING - compression	2	
9	981710	SCREW - machine, hex washer head, <i>Torx</i> drive, black, M3 x 0.05 x 8	6	
10	9E9777	SCREW - thumb, short	3	
11	691944	SCREW - tapping, pan head, <i>Torx</i> drive, zinc, M2 x 4	2	
12	8F9764	SPRING - compression, background AY	2	
13	9E3014	SCREW - thumb, long	3	

Figure 30 BAFFLES - POD



**Models: i5250, i5250V, i5650, i5650V, i5850, i5850 Rear Exit**

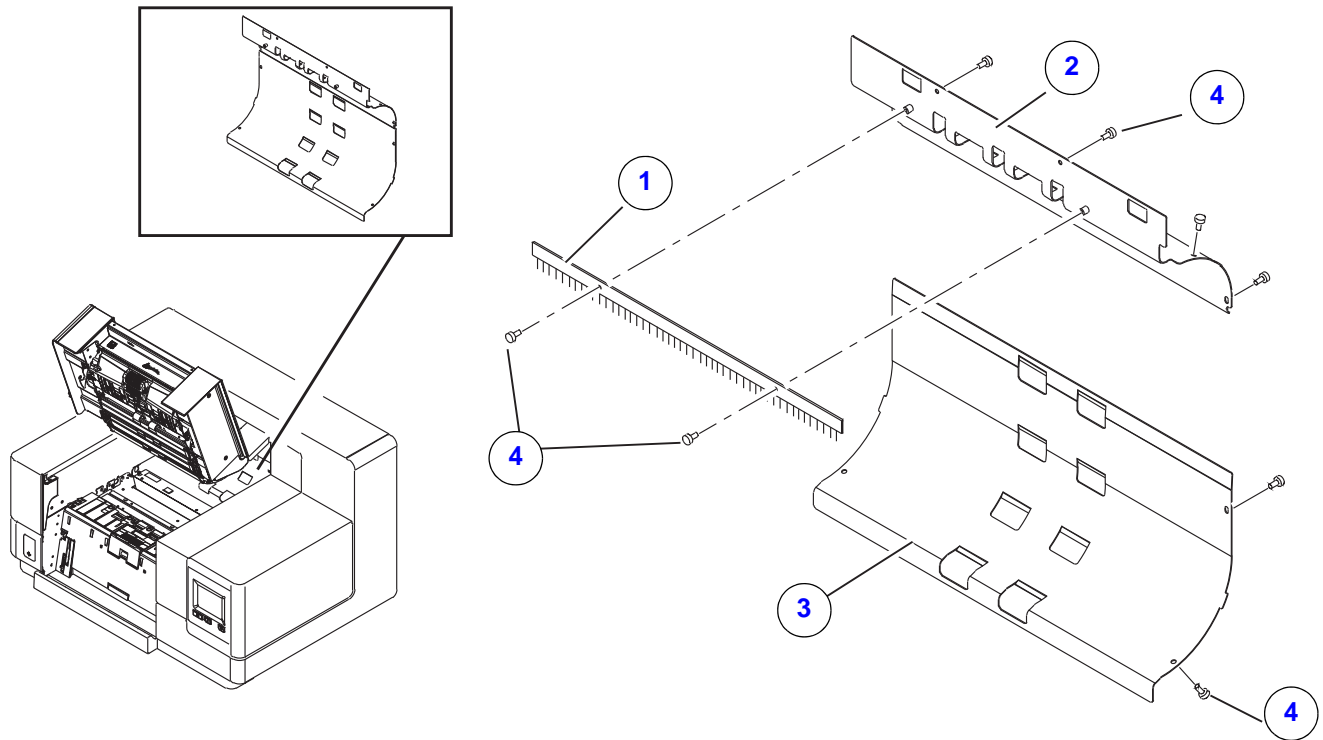


B186\_0544EA

Figure 30 BAFFLES - POD

Item	Part No.	Description	Quantity	Notes
1	5K2637	BAFFLE - pod, upper	1	Not visible in the graphic.
---	5K2875	BLOTTER	1	
2	5K4792	BAFFLE - pod, lower, i5250/i5250V/i5650/ i5650V/i5850 Rear Exit	1	
3	9E8545	BAFFLE - pod, lower, i5850	1	
	5F7967	SCREW - machine, pan head, <i>Torx</i> drive, zinc, M3 x 6	8	
4	8F9814	MOUNT - baffle, pod, left	1	
5	8F9813	MOUNT - baffle, pod, right	1	
6	981710	SCREW - machine, hex washer head, <i>Torx</i> drive, black, M3 x 0.05 x 8	2	
7	8F9751	MOUNT AY - pod baffle, left, i5650S/i5850S	1	
8	5K3206	BAFFLE - exit pod, upper, i5650S/i5850S	1	
9	7J4099	SCREW - machine, hex head, <i>Torx</i> drive, steel, RoHS, M3 x 0.5 x 6	4	
10	8F9750	MOUNT AY - pod baffle, right, i5650S/i5850S	1	
11	5K5757	BAFFLE - lower, pod, i5650S/i5850S	1	

Figure 31 BAFFLES - BASE - 1 of 3

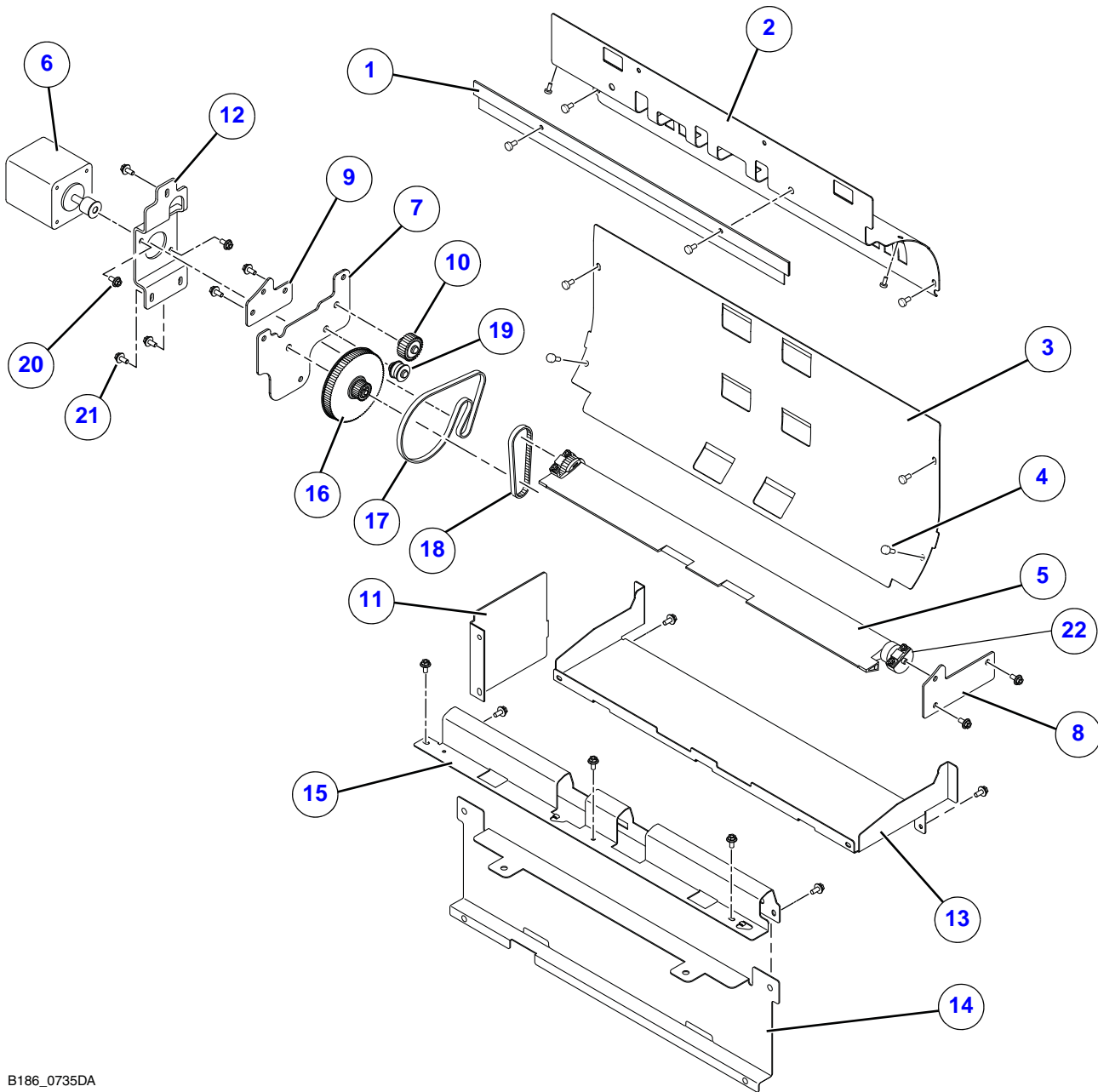


B186\_0550HC  
B186\_0550HC

Figure 31 BAFFLES - BASE - 1 of 3

Item	Part No.	Description	Quantity	Notes
1	8F9430	BRUSH - static reducer, i5850	1	
2	5K2636	BAFFLE - base, top	1	
3	9E4954	BAFFLE - base, bottom, i5850	1	
4	5K4795	BAFFLE - lower rear, back, i5650s/i5850s	1	
	5F7967	SCREW - machine, pan head, Torx drive, zinc, M3 x 6	10	

Figure 32 BAFFLES - BASE - 2 of 3



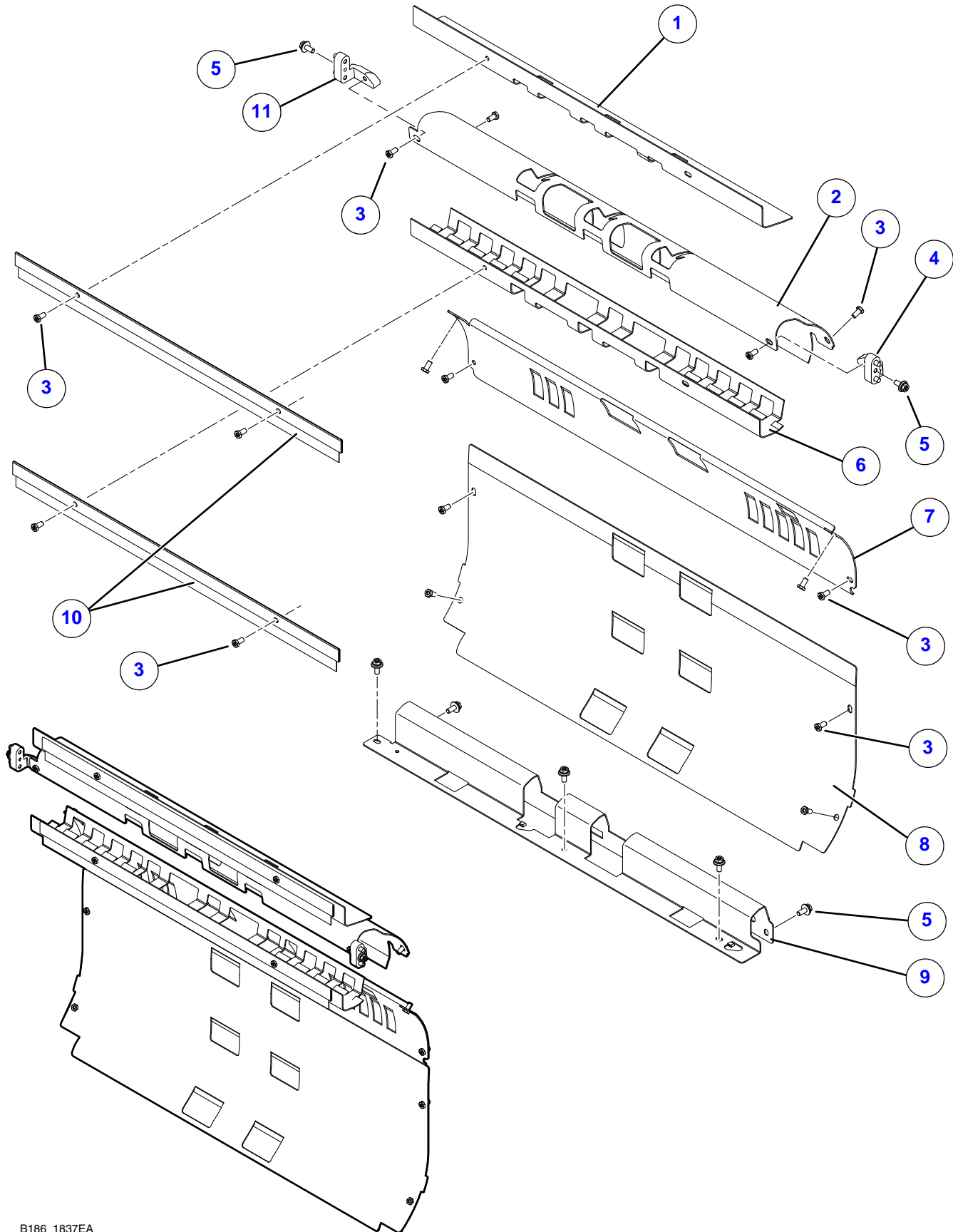
B186\_0735DA



Figure 32 BAFFLES - BASE - 2 of 3

Item	Part No.	Description	Quantity	Notes
1	5K4304	BRUSH AY - static reducer, i5250/i5250V/i5650/ i5650V/i5850 Rear Exit	1	
2	5K2636	BAFFLE - base, top	1	
3	5K3656	BAFFLE - back, base, i5250/i5250V/i5650/i5650V/ i5650S/i5850S/i5850 Rear Exit	1	
4	7J4099	SCREW - machine, hex head, <i>Torx</i> drive, steel, RoHS, M3 x 0.5 x 6	10	
5	CP5K5208	DIVERTER AY - i5250/i5250V/i5650/i5650V/i5850 Rear Exit	1	
6	5K2181	MOTOR AY - i5250/i5250V/i5650/i5650V/i5850 Rear Exit	1	
7	5K3701	MOUNT PLATE AY - diverter, back, left, i5250/ i5250V/i5650/i5650V/i5850 Rear Exit	1	
8	5K4240	MOUNT PLATE AY - diverter, back, right, i5250/ i5250V/i5650/i5650V/i5850 Rear Exit	1	
9	5K4166	MOUNT PLATE - diverter, back, stationary, i5250/ i5250V/i5650/i5650V/i5850 Rear Exit	1	
10	5K3717	IDLER PULLEY - 30T, diverter, back, i5250/i5250V/ i5650/i5650V/i5850 Rear Exit	1	
11	5K3584	COVER AY - diverter, i5250/i5250V/i5650/i5650V	1	
12	5K4169	BRACKET - motor, exit, i5250/i5250V/i5650/i5650V	1	
13	5K3585	BAFFLE - back exit, i5250/i5250V/i5650/i5650V	1	
14	5K3685	BAFFLE - back exit, i5650S/i5850S/i5850 Rear Exit	1	
15	5K3654	BAFFLE - back exit, base, i5250/i5250V/i5650/ i5650V/i5650S/i5850S/i5850 Rear Exit	1	
16	5K3683	PULLEY AY - 90T, 23T, i5250/i5250V/i5650/i5650V/ i5850 Rear Exit	1	
17	5K3759	BELT - timing, 150T, i5250/i5250V/i5650/i5650V/ i5850 Rear Exit	1	
18	5K3760	BELT - timing, 73T, i5250/i5250V/i5650/i5650V/ i5850 Rear Exit	1	
19	5K2459	BEARING - 6 mm	2	
20	748353	SCREW - machine, hex washer head, <i>Torx</i> drive, black, M3 x 6	2	
21	981710	SCREW - machine, hex washer head, <i>Torx</i> drive, black, M3 x 0.05 x 8	7	
22	5K4271	BEARING CLAMP - i5250/i5250V/i5650/i5650V/ i5850 Rear Exit	2	

Figure 33 BAFFLES - BASE - 3 of 3

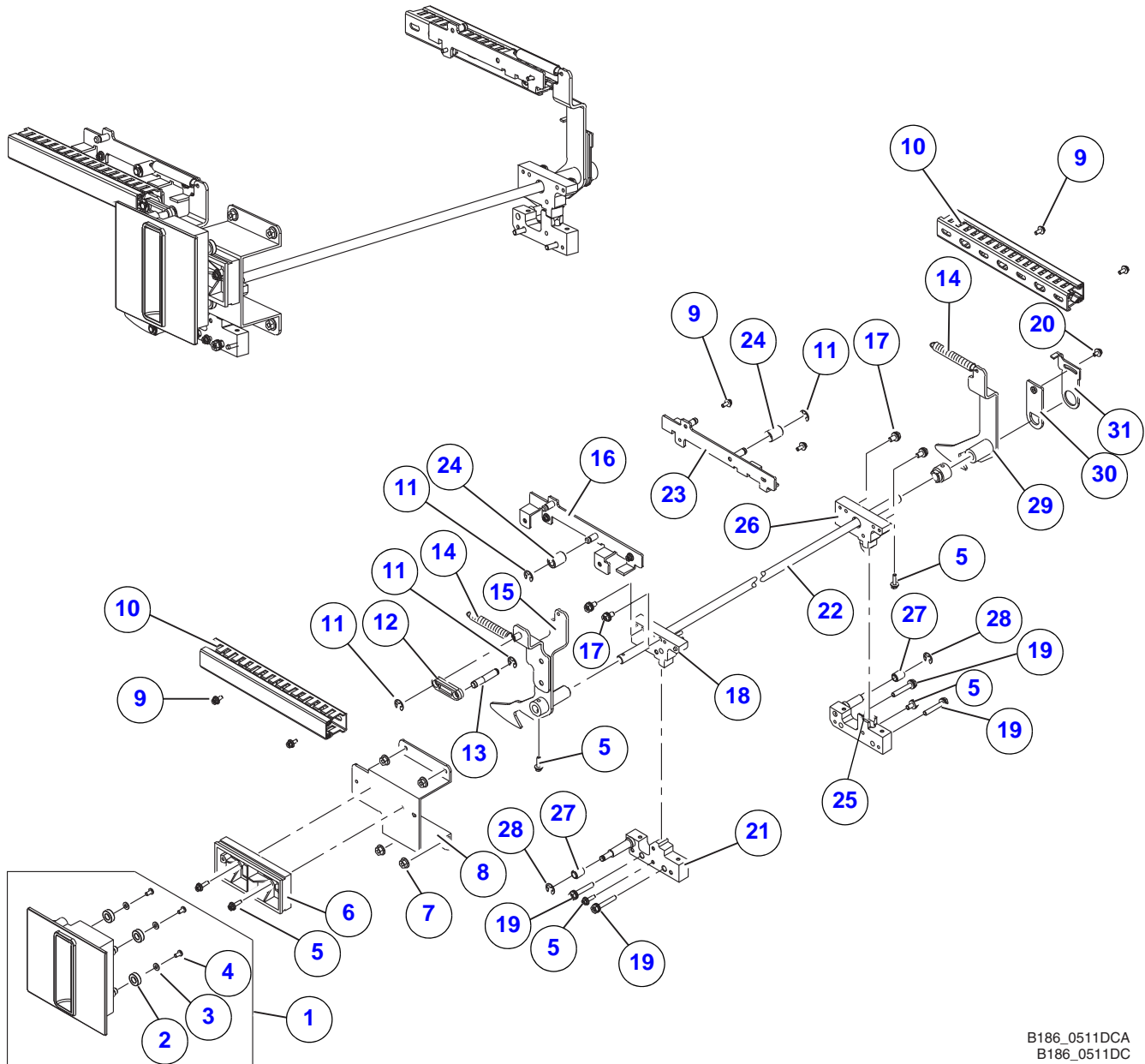


B186\_1837EA

Figure 33 BAFFLES - BASE - 3 of 3

Item	Part No.	Description	Quantity	Notes
1	5K5391	BAFFLE - exit sorter, upper, i5650S, i5850S	1	
2	5K5680	BAFFLE - exit sorter, NFR, i5650S, i5850S	1	
3	7J4099	SCREW - machine, hex head, <i>Torx</i> drive, steel, RoHS, M3 x 0.5 x 6	16	
4	5K3207	BLOCK AY MOUNT - baffle sorter, right	1	
5	981710	SCREW - machine, hex washer head, <i>Torx</i> drive, black, M3 x 0.05 x 8	1	
6	5K3204	BAFFLE - exit base, upper	1	
7	5K3603	BAFFLE - base, upper	1	
8	5K4795	BAFFLE - back, base, i5250/i5250V/i5650/i5650V/i5650S/i5850S/i5850 Rear Exit	1	
9	5K3654	BAFFLE - rear exit, lower front, i5250/i5250V/i5650/i5650V/i5850S/i5850 Rear Exit	1	
10	5K3202	BRUSH - static elimination	1	
11	5K3208	BLOCK AY MOUNT - baffle sorter, left	1	

Figure 34 LATCH AY

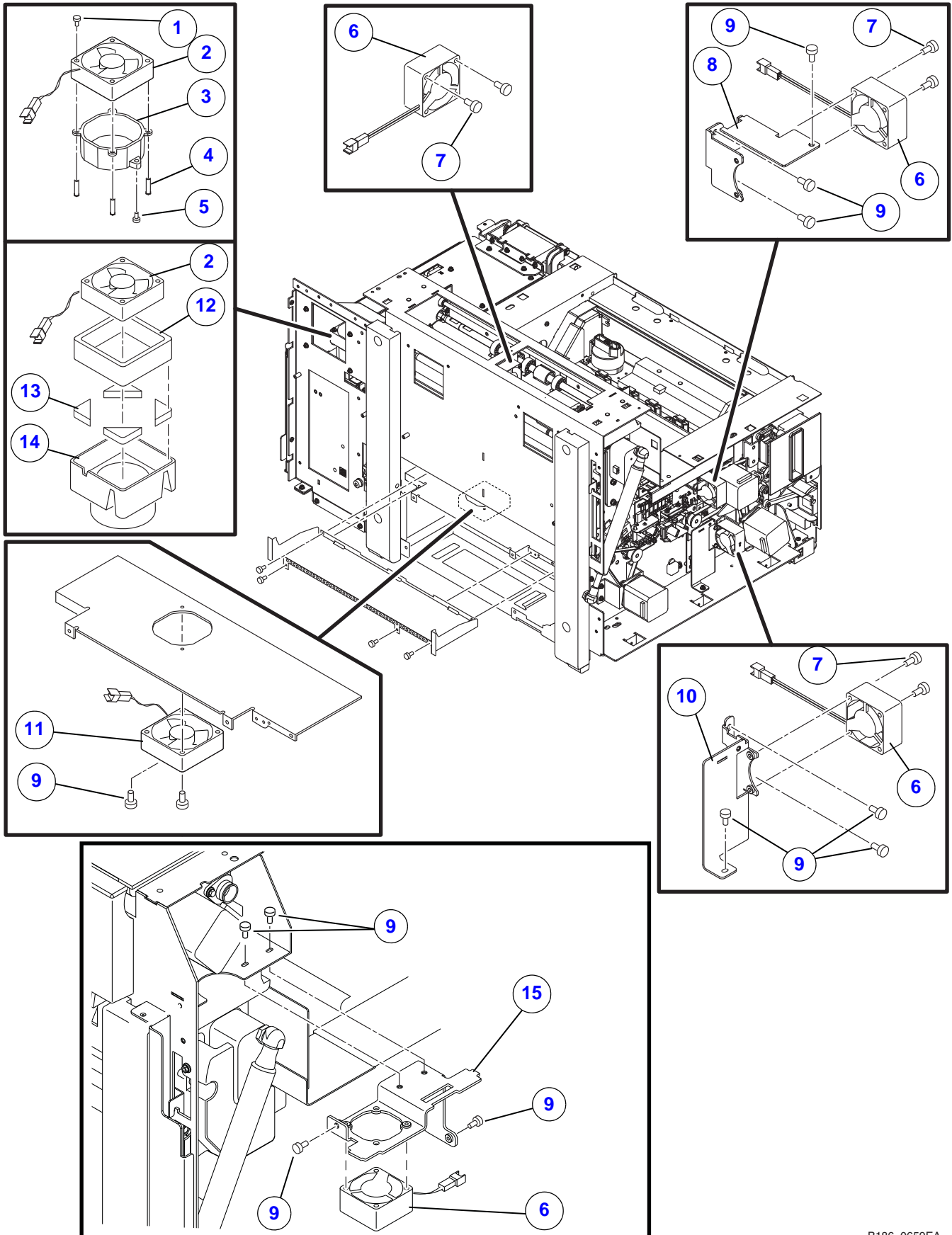


B186\_0511DCA  
B186\_0511DC

Figure 34 LATCH AY

Item	Part No.	Description	Quantity	Notes
1	5K3519	HANDLE - latch, i5250/i5250V/i5650/i5650V/i5650S/i5850S/i5850 Rear Exit	1	
	CP8F8430	HANDLE - latch, i5850	1	
2	5K2458	BEARING - ball	4	
3	8C0877	WASHER - flat, F3, 8 mm	4	
4	5F7967	SCREW - machine, pan head, Torx drive, zinc, M3 x 6	4	
5	748354	SCREW - machine, hex washer head, Torx drive, black, M3 x 12	6	
6	8F9967	RAIL - release, latch	1	
7	914047	NUT - hex, lock	4	
8	8F7809	BRACKET - mounting, latch	1	
9	981710	SCREW - machine, hex washer head, Torx drive, black, M3 x 0.05 x 8	4	
10	8F8029	DUCT - wiring	2	
11	243359	E-RING - retaining	3	
12	9E9234	LINK - release	1	
13	9E9908	PIN - link, latch	1	
14	9E9251	SPRING - extension, Lee, LEM075CD-08-M	2	
15	5K3553	ARM AY - hook, latch, left	1	
16	5K3604	BRACKET - spring, left	1	
17	2B4081	SCREW - machine, hex washer head, Torx drive, black, M4 x 8	4	
18	9E9937	BLOCK - latch, left	1	
19	748361	SCREW - machine, hex washer head, Torx drive, black, M4 x 25	4	
20	748353	SCREW - machine, hex washer head, Torx drive, black, M3 x 6	1	
21	9E9935	STOP - latch, left	1	
22	9E9508	SHAFT - latch release	1	
23	5K3606	BRACKET - spring, right	1	
24	8F9841	ROLLER - spring	2	
25	9E9932	STOP - latch, right	1	
26	9E9936	BLOCK - latch, right	1	
27	5K3061	ROLLER AY - latch	2	
28	315220	E-RING - clip, ME-5-ST-PA-S	2	
29	9E9475	ARM - hook, latch, right	1	
30	9E9964	RELEASE - arm, hook, right	1	
31	9E9479	ARM RELEASE	1	

Figure 35 FANS

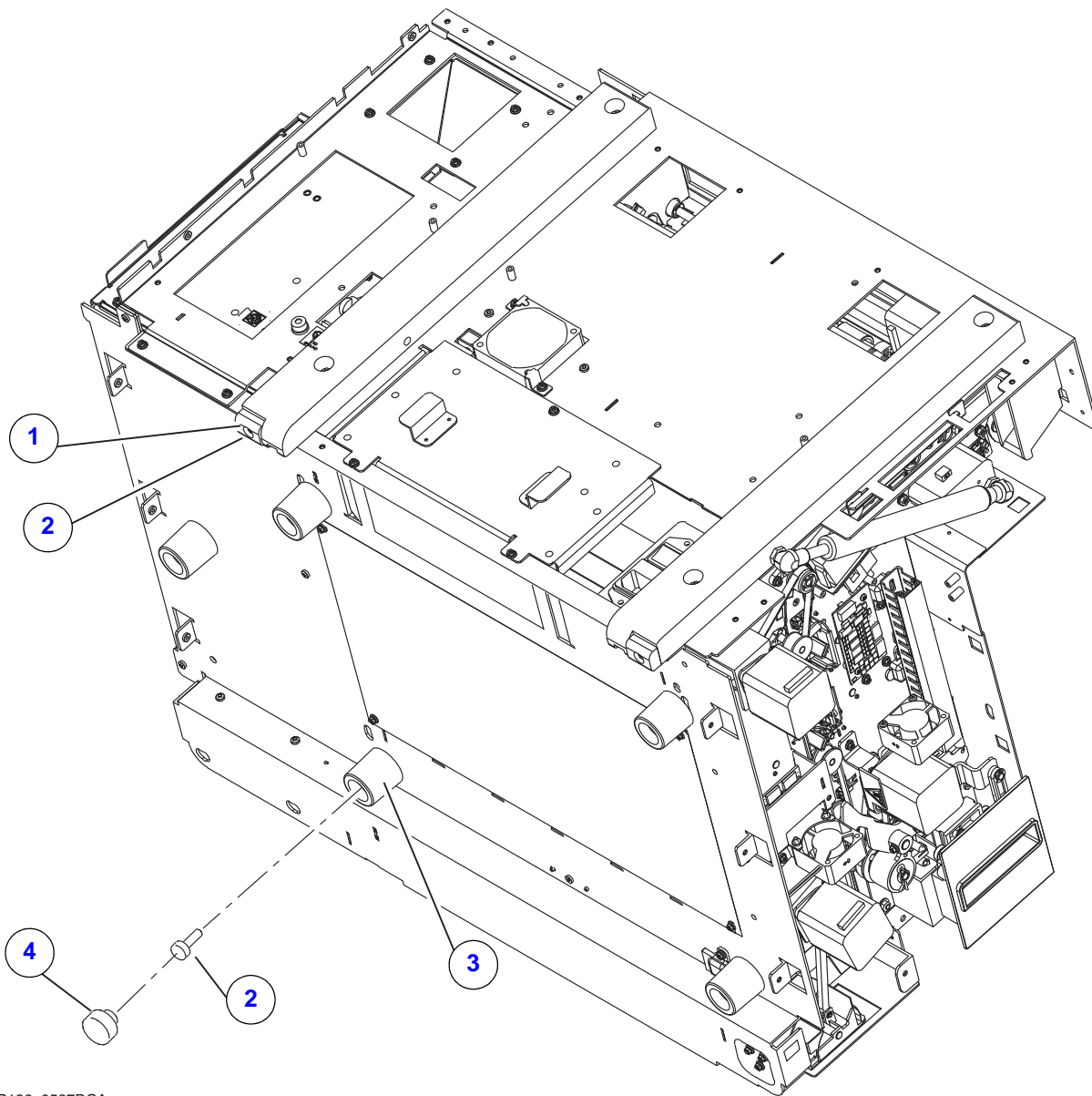


B186\_0659EA

Figure 35 FANS

Item	Part No.	Description	Quantity	Notes
1	7E9188	SCREW - machine, hex washer head, <i>Torx</i> drive, black, M3 x 16	4	
2	5K4153	FAN AY - i5250/i5250V/i5650/i5650V/i5650S/i5850S/i5850 Rear Exit	1	
	5K2842	FAN AY - i5850	1	
3	3E9967	DUCT - fan, E-Box, i5850	1	
4	4B4483	STANDOFF - clinch, M3 x 18	4	
5	5E4874	SCREW - tapping, round washer head, <i>Torx</i> drive, zinc, M3 x 8	1	
6	5K2838	FAN AY - i5250/i5250V/i5650/i5650V/i5650S/i5850S/i5850 Rear Exit	3	
7	273439	SCREW - machine, pan head, <i>Torx</i> drive, zinc, M3 x 25	6	
8	6J7953	BRACKET - fan, left, top	1	
9	981710	SCREW - machine, hex washer head, <i>Torx</i> drive, black, M3 x 0.05 x 8	2	
10	8F9831	BRACKET - fan, left, bottom	1	
11	5K2840	FAN - power supply, i5250/i5250V/i5650/i5650V/i5650S	1	
12	5K4146	STRIP - foam	1	
13	5K4147	PAD - foam	4	
14	5K4145	DUCT - fan, E-Box, i5250/i5250V/i5650/i5650V/i5650S/i5850S/i5850 Rear Exit	1	
15	5K4598	MOUNT - fan, i5650S/i5850S	1	
---	8F9603	FAN AY - CCD AY	2	Not visible in the graphic. See "SCAN MODULE" on page 16.

Figure 36 BLOCK ROTATES and FOOT BUMPERS



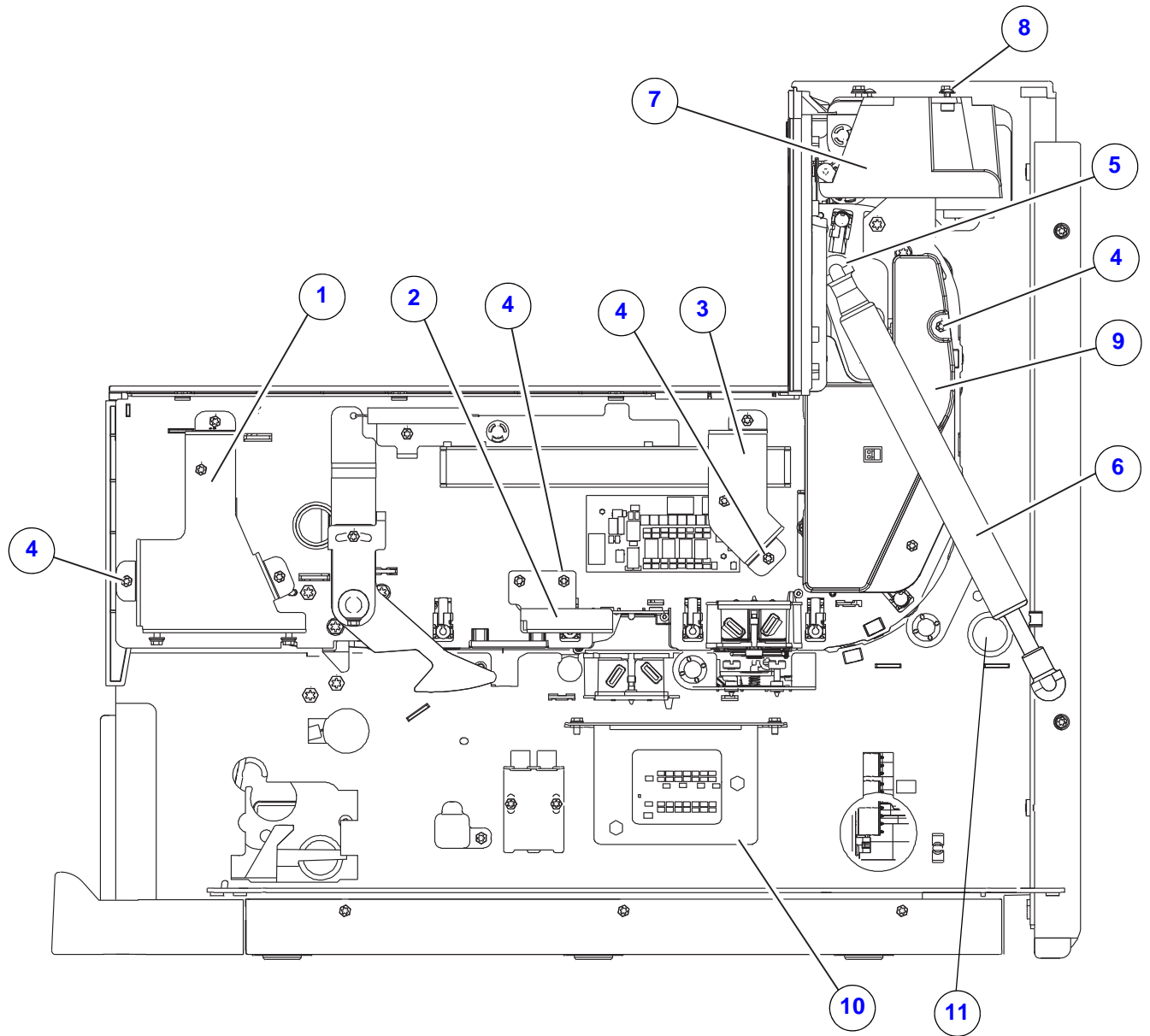
B186\_0527DCA  
B186\_0527DC

Figure 36 BLOCK ROTATES and FOOT BUMPERS

Item	Part No.	Description	Quantity	Notes
1	8F9771	BLOCK ROTATE	2	
2	748354	SCREW - machine, hex washer head, <i>Torx</i> drive, black, M3 x 12	7	
3	6J7022	FOOT BUMPER	5	
4	8CK222	RUBBER TIP	5	



Figure 37 BRACKETS AND HYDROLIFT - Right Side

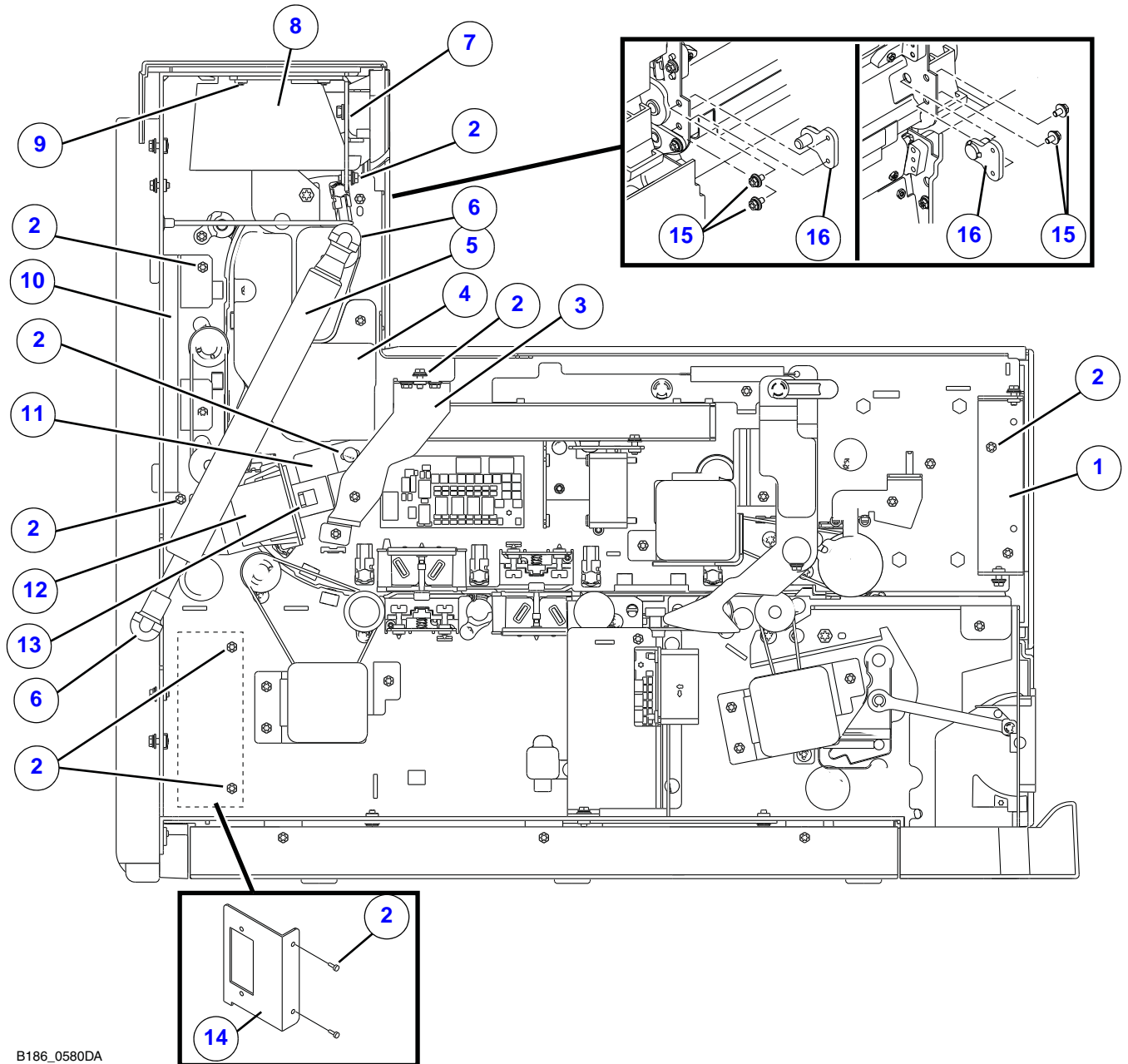


B186\_0546DCA  
 B186\_0546DC

Figure 37 BRACKETS AND HYDROLIFT - Right Side

Item	Part No.	Description	Quantity	Notes
1	8F8085	BRACKET - pod cover, right, front	1	
2	8F8360	BRACKET - pod cover, right, center	1	
3	8F8086	BRACKET - pod cover, right, back	1	
4	981710	SCREW - machine, hex washer head, <i>Torx</i> drive, black, M3 x 0.05 x 8	10	
5	9E4039	BALL MOUNT SHOCK	2	
6	6J7303	HYDRO-LIFT - <i>Stabilus</i> , 150N	1	
7	5K3236	HYDRO-LIFT - <i>Stabilus</i> , i5650S, i5850S	1	
8	8F9720	RETAINER - harness	1	
8	5E4874	SCREW - tapping, round washer head, <i>Torx</i> drive, zinc, M3 x 8	2	
9	8F9839	COVER - wire, right	1	
10	8F7886	BRACKET - LED board, i5850	1	
11	499019	BUSHING	3	

Figure 38 BRACKETS AND HYDROLIFT - Left Side

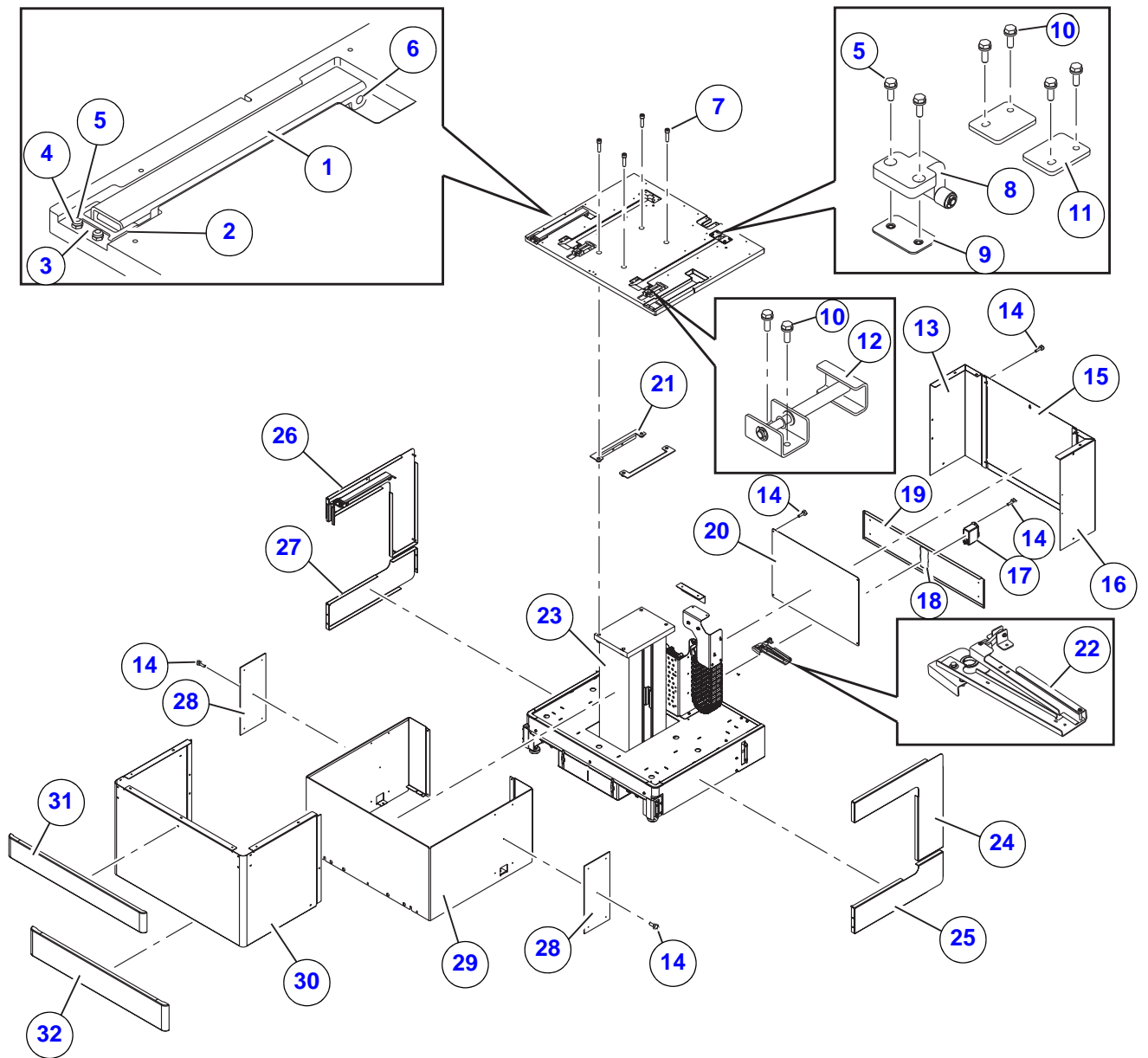


B186\_0580DA

Figure 38 BRACKETS AND HYDROLIFT - POD, Left Side

Item	Part No.	Description	Quantity	Notes
1	8F9674	BRACKET - pod cover, left, front	1	
2	981710	SCREW - machine, hex washer head, <i>Torx</i> drive, black, M3 x 0.05 x 8	15	
3	8F8089	BRACKET - pod cover, left, back	1	
4	8F9838	COVER - wire, left	1	
5	6J7303	HYDRO-LIFT - <i>Stabilus</i> , 150N	1	
6	9E4039	BALL MOUNT SHOCK	2	
7	8F9686	BRACKET - cover, left front	1	
8	8F9720	RETAINER - harness	1	
9	5E4874	SCREW - tapping, round washer head, <i>Torx</i> drive, zinc, M3 x 8	2	
10	5K3583	BRACKET - power entry, i5250/i5250V/i5650/i5650V	1	
	6J7317	BRACKET - power entry, i5850/i5850 Rear Exit	1	
11	1E8949	INTERLOCK SWITCH	1	
12	5K3660	BRACKET - interlock	1	
13	9E8334	ACTUATOR - switch	1	
14	5K3284	GUARD - harness, i5850/i5850 Rear Exit	1	
15	748353	SCREW - machine, hex washer head, <i>Torx</i> drive, black, M3 x 6	2	
16	5K5179	PLATE AY - pivot, pod, i5650S/i5850S	2	

Figure 39 COVERS AND LIFT HARDWARE - PEDESTAL, *Kodak i5850/i5850S/i5850 Rear Exit SCANNERS*

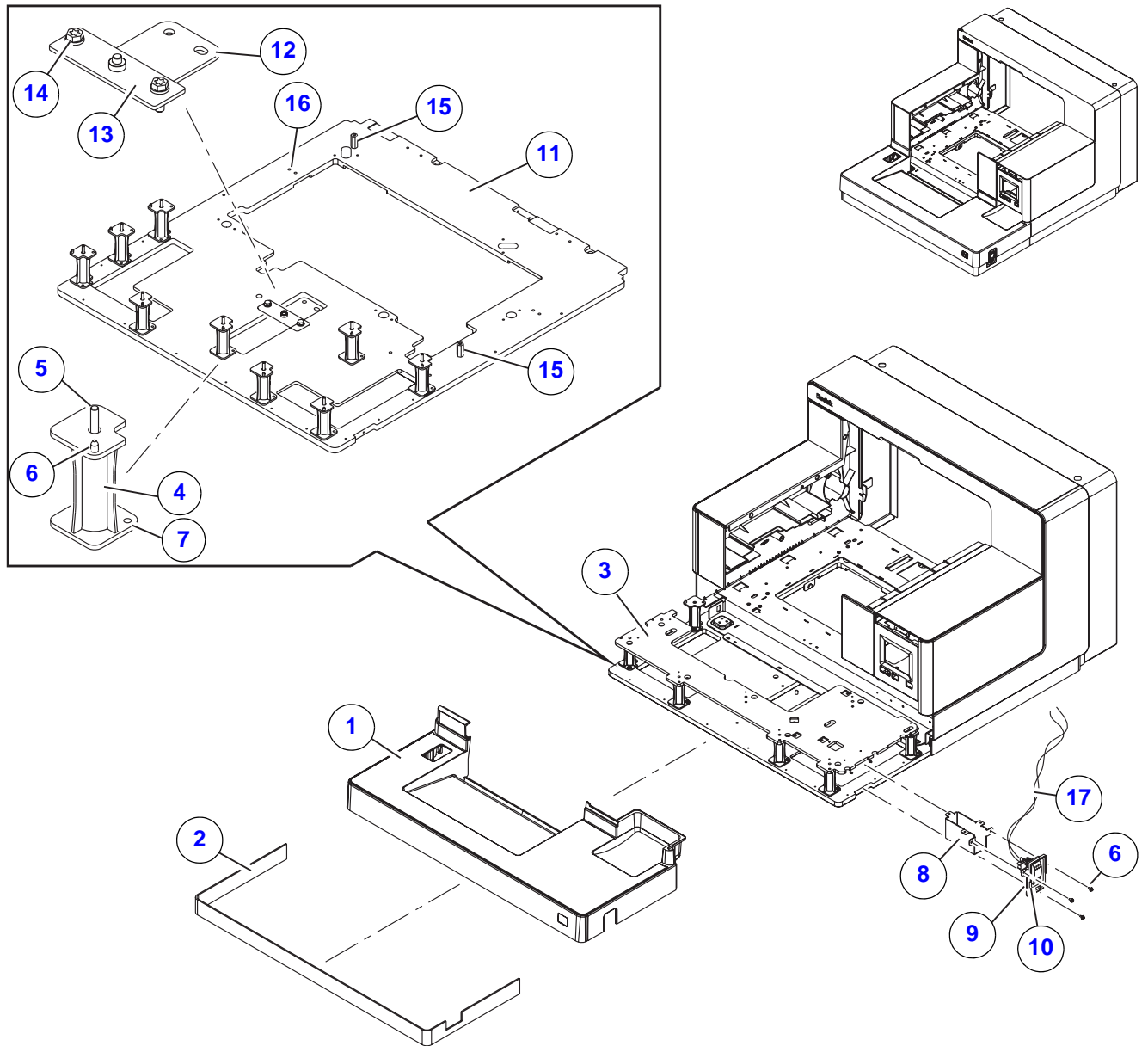


B186\_0640DCA  
B186\_0640DC

**Figure 39 COVERS AND LIFT HARDWARE - PEDESTAL, Kodak i5850/i5850S/i5850 Rear Exit SCANNERS**

Item	Part No.	Description	Quantity	Notes
1	6J7724	LIFT LEVEL - i5850/i5850 Rear Exit	2	
2	6J7723	SHAFT - lift, i5850/i5850 Rear Exit	2	
3	6J7722	PLATE - lift, i5850/i5850 Rear Exit	2	
4	7J0872	NUT - lock, hex, nylon insert, M4	4	
5	7E9189	SCREW - sems, Torx drive, hex washer, zinc, black, M4 x16	8	
6	6J7727	SHAFT - lift level	2	
7	9E7241	SCREW - machine, hex socket head, zinc, M10 x 40	4	
8	7J3950	WHEEL AY - fip	2	
9	7J3956	PLATE - holding	2	
10	748360	SCREW - machine, hex washer head, Torx drive, black, M4 x 12	16	
11	7J3945	COVER - wheel	8	
12	6J7985	PLATE BRACKET AY	2	
13	7J3661	COVER - pedestal, outer, right	1	The quantity is approximate. Not all SCREWS are visible in the graphic.
14	981710	SCREW - machine, hex washer head, Torx drive, black, M3 x 0.05 x 8	10	
15	6J7636	COVER - pedestal, outer, center, i5850/i5850 Rear Exit	1	
16	7J3660	COVER - pedestal, outer, left, i5850/i5850 Rear Exit	1	
17	2F9567	FILTER INLET - AC	1	
18	6J7317	BRACKET - power entry, i5850/i5850 Rear Exit	1	
19	6J7640	SKIRT - back, i5850/i5850 Rear Exit	1	
20	6J7637	COVER - back, inner, i5850/i5850 Rear Exit	1	
21	6J7718	LIFT PLATE - i5850/i5850 Rear Exit	2	
22	6J7854	WIRE CHANNEL AY - i5850/i5850 Rear Exit	1	
23	9E9882	LIFT COLUMN - i5850/i5850 Rear Exit	1	
24	6J7745	OVERLAY - top, right, i5850/i5850 Rear Exit	1	
25	6J7741	SKIRT - right, i5850/i5850 Rear Exit	1	
26	6J7744	OVERLAY - top, left, i5850/i5850 Rear Exit	1	
27	6J7740	SKIRT - left, i5850/i5850 Rear Exit	1	
28	6J7737	PLATE - overlay, base, i5850/i5850 Rear Exit	2	
29	7J3621	COVER - pedestal, inner, i5850/i5850 Rear Exit	1	
30	6J7746	COVER - pedestal, outer, i5850/i5850 Rear Exit	1	
31	6J7743	OVERLAY - top, center, i5850/i5850 Rear Exit	1	
32	6J7739	SKIRT - front, i5850/i5850 Rear Exit	1	

Figure 40 WORKSHELF - Kodak i5850/i5850S/i5850 Rear Exit SCANNERS



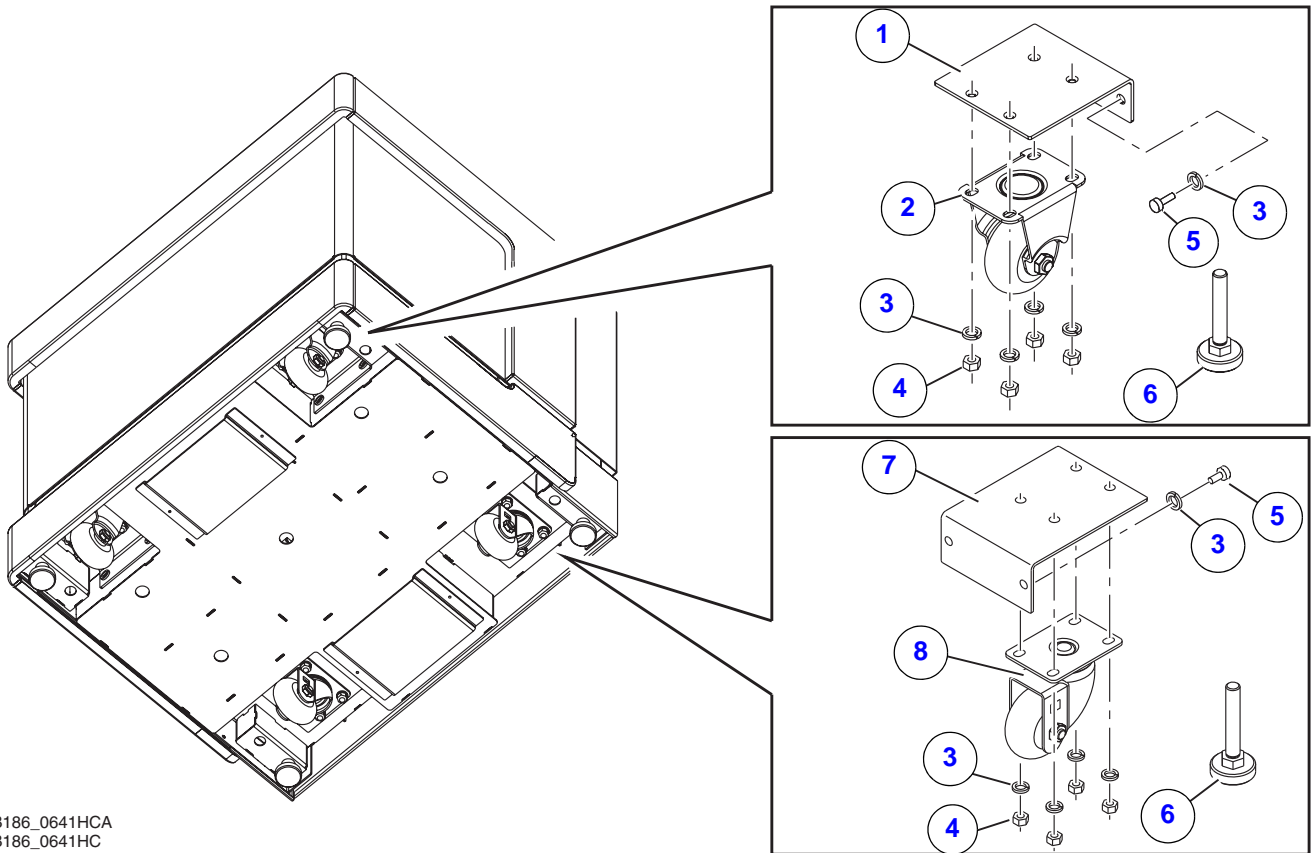
B186\_0644DCA  
B186\_0644DC

Figure 40 WORKSHELF - Kodak i5850/i5850S/i5850 Rear Exit SCANNERS

Item	Part No.	Description	Quantity	Notes
1	6J7692	WORKSHELF - top, i5850/i5850 Rear Exit	1	
2	7J4136	SKIRT - workshelf, i5850/i5850 Rear Exit	1	
3	7J4135	SUPPORT PLATE - top workshelf, i5850/i5850 Rear Exit	1	
4	7J4138	SUPPORT PILLAR - top workshelf, i5850/i5850 Rear Exit	9	
5	5K0167	SCREW - TF, hex flange, Torx drive, M4 x 16	9	
6	981710	SCREW - machine, hex washer head, Torx drive, black, M3 x 0.05 x 8	9	
7	748354	SCREW - machine, hex washer head, Torx drive, black, M3 x 12	9	
8	7J4137	BOX - lift switch, i5850/i5850 Rear Exit	1	
9	7J4139	SUPPORT - lift switch, i5850/i5850 Rear Exit	1	
10	5F4822	SWITCH - table, up/down, i5850/i5850 Rear Exit	1	
11	6J7643	PLATE - bottom, workshelf, i5850/i5850 Rear Exit	1	
12	7J3943	PLATE - lock, i5850/i5850 Rear Exit	1	
13	6J7721	BRACKET - plate lock, i5850/i5850 Rear Exit	1	
14	1F8655	SCREW - SEMS, hex flange, Torx drive, nickel, M6 x 18	3	
15	6J7726	PIN - bottom plate, i5850/i5850 Rear Exit	2	
16	7J3972	PIN - 4 x 18, i5850/i5850 Rear Exit	4	
17	6J7764	HARNESS - interim, p-switch, i5850/i5850 Rear Exit	1	



Figure 41 PEDESTAL CASTERS - Kodak i5850/i5850S/i5850 Rear Exit SCANNERS

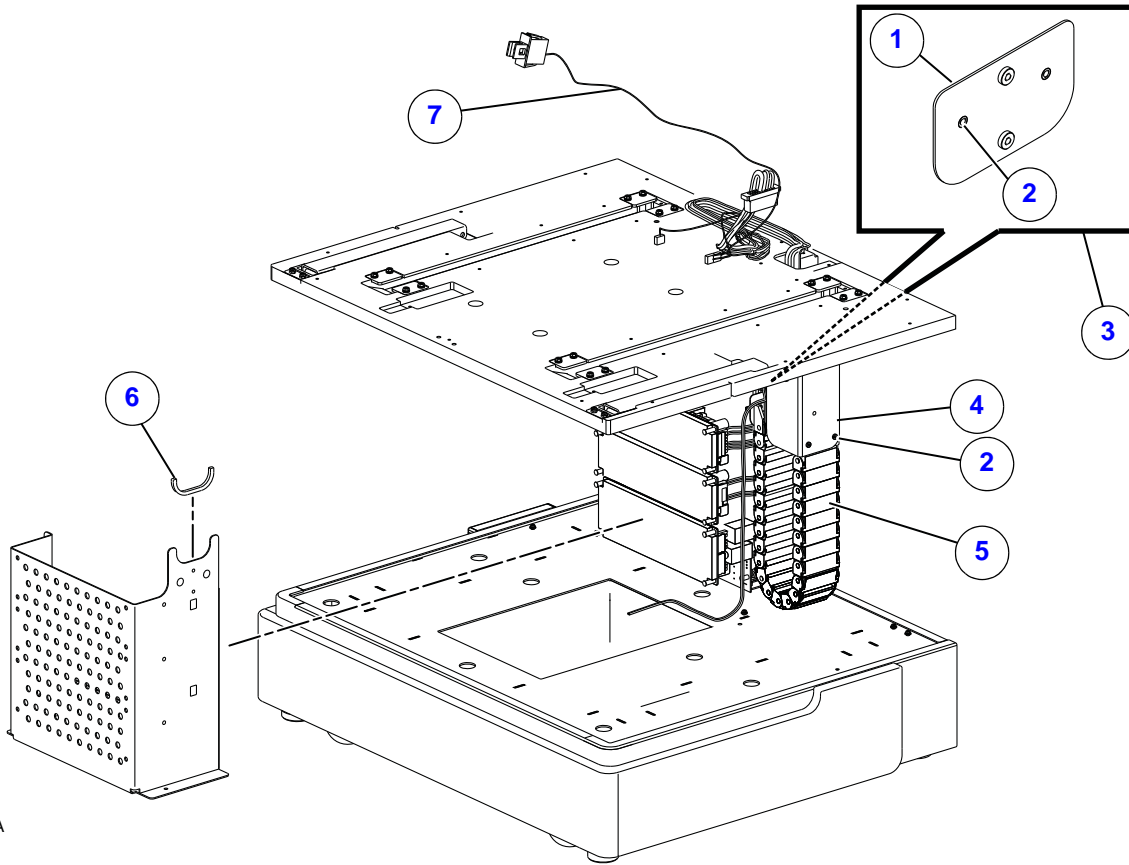


B186\_0641HCA  
B186\_0641HC

Figure 41 PEDESTAL CASTERS - Kodak i5850/i5850S/i5850 Rear Exit SCANNERS

Item	Part No.	Description	Quantity	Notes
1	6J7651	BRACKET - caster wheel, fixed, i5850/i5850 Rear Exit	2	
2	6J7789	CASTER - fixed, i5850/i5850 Rear Exit	2	
3	9E7240	LOCK WASHER - stainless steel, 10 mm x 3	20	
4	9E7238	NUT - stainless steel, M8	16	
5	3J1471	SCREW - cap, hex socket, black, M8 x 20	4	
6	9E5658	SCREW - leveling foot, M12	4	
7	6J7653	BRACKET - caster wheel, swivel, i5850/i5850 Rear Exit	2	
8	6J7790	CASTER - swivel, i5850/i5850 Rear Exit	2	

Figure 42 PEDESTAL CHAIN ZIPPER

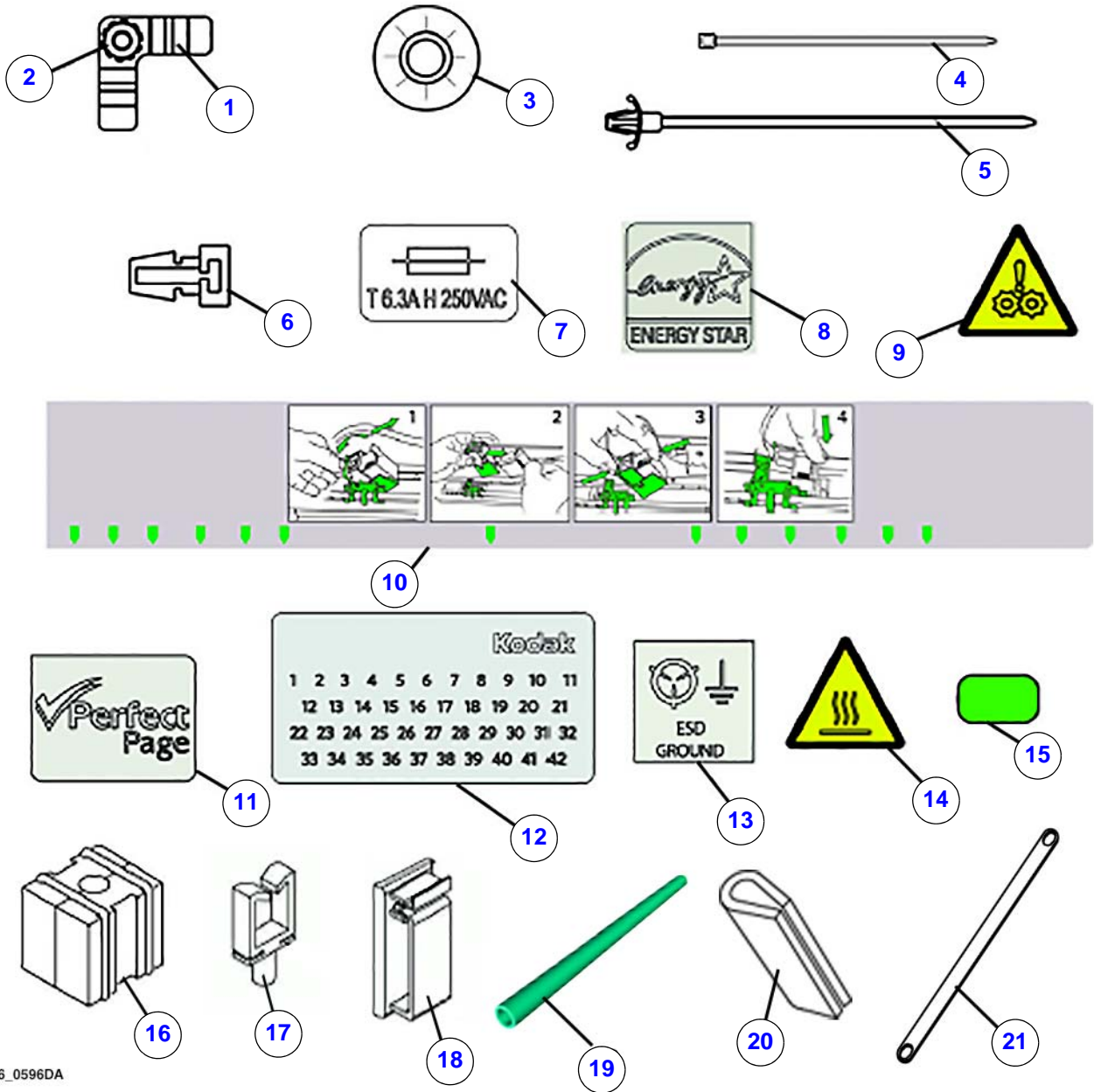


B186\_0660HAA  
B186\_0660HA

Figure 42 PEDESTAL CHAIN ZIPPER

Item	Part No.	Description	Quantity	Notes
1	981710	SCREW - machine, hex washer head, <i>Torx</i> drive, black, M3 x 0.05 x 8	2	
2	258876	SCREW - machine, flat head, <i>Phillips</i> drive, M3 x 0.5	4	
3	7J3791	BRACKET - zip chain, power box	1	
4	6J7644	BRACKET - zip chain, upper	1	
5	9E4906	CHAIN ZIPPER	1	
6	7J3790	PROTECTION RING - power box	1	
7	9E9655	HARNESS - SIC, interlock, power supply on/off, i5250/i5250V/i5650/i5650V/i5650S	1	
	6J7775	HARNESS - SIC, interlock, power supply on/off, i5850/i5850S/i5850 Rear Exit	1	

Figure 43 HARDWARE, LABELS and MISCELLANEOUS



B186\_0596DA

Figure 43 HARDWARE, LABELS and MISCELLANEOUS

Item	Part No.	Description	Quantity	Notes
1	9E9312	RETAINER CLIPS - wire, motor	2	
2	5F1872	NUT - zinc plated, M3 x 0.5	1	
3	7E9684	NUT - <i>Palnut</i> , non-removable	1	
4	182590	TIE-WRAP - standard, 10 cm (3.9 in.), white	1	
	4E1567	TIE-WRAP - standard, 10 cm (3.9 in.), black	1	
5	244825	TIE-WRAP - push mount, winged, 11 cm (4.3 in.)	1	
6	324598	SPACERS - SIC board	1	
7	8F8416	LABEL - fuse, 6.3 A	1	
8	8F8152	LABEL - "Energy Star"	1	
9	946316	LABEL - warning, moving parts	1	
10	8F8448	LABEL - cartridge replacement	1	
11	8F8153	LABEL - "Perfect Page", i5250/i5650/i5850/i5850 Rear Exit	1	
12	8F7884	LABEL - modification	1	
13	287257	LABEL - "ESD GROUND"	1	
14	4C8572	LABEL - warning, high temperature	1	
15	749508	LABEL - green	1	
16	TL7102	MAGNETIZER TOOL	1	
17	244971	WIRE SADDLE	1	
18	4F5026	CLAMP - cable, flat	1	
19	9E5642	SPIRAL WRAP	1	
20	5K3435	GROMMET - strip	1	
21	5K5580	PROP ROD, i5650S, i5850S	1	
---	CP7J3613	RELOCATION KIT - i5250/i5250V/i5650/i5650V	1	Not visible in the graphic.
---	CP5K0326	RELOCATION KIT - i5850/i5850 Rear Exit	1	Not visible in the graphic.
---	TBD	RELOCATION KIT - i5650S/i5850S	1	Not visible in the graphic.
---	SP5K0208	CALIBRATION TARGET - white, 12 x 12 in., package of 5	1	Not visible in the graphic. Each of the 5 TARGETS is part no. 9E7004.

## Section 2: Numerical Index

### Numerical Index

Part No.	Description	Figure No.
----	DANGLER AY - upper tray, i5650S/i5850S	<a href="#">2</a>
----	BELT - timing, 87T (Included with Clamshell)	<a href="#">25</a>
----	SHAFT AY- drive (Included with Clamshell)	<a href="#">25</a>
----	SHAFT AY- drive pivot, sorter (Included with Clamshell)	<a href="#">25</a>
-----	BACKGROUND AY - flip-type, non-ribbed, base	<a href="#">29</a>
-----	BACKGROUND AY - flip-type, non-ribbed, pod	<a href="#">28</a>
-----	BACKGROUND AY - flip-type, ribbed, printer	<a href="#">28</a>
-----	FEED MODULE	<a href="#">28</a>
-----	IMAGING GUIDE - non-ribbed, base	<a href="#">29</a>
-----	IMAGING GUIDE AY - non-ribbed, pod	<a href="#">28</a>
-----	IMAGING GUIDE AY - ribbed, printer	<a href="#">28</a>
-----	SEPARATION ROLLER AY	<a href="#">18</a>
-----	TIRE	<a href="#">28</a>
149728	WASHER - <i>Zytel</i> , 0.015 x 0.390 x 1.0	<a href="#">16</a>
182590	TIE-WRAP - standard, 10 cm (3.9 in.), white	<a href="#">43</a>
1E3046	SCREW - machine, pan head, <i>Phillips</i> drive, zinc, M4 x 30	<a href="#">19, 20</a>
1E8949	INTERLOCK SWITCH	<a href="#">38</a>
1F8655	SCREW - <i>SEMS</i> , hex flange, <i>Torx</i> drive, nickel, M6 x 18	<a href="#">40</a>
243236	WASHER - 0.255 x 0.352 x 0.060	<a href="#">16</a>
243359	E-RING - retaining	<a href="#">11, 16, 20, 34, 7</a>
244825	TIE-WRAP - push mount, winged, 11 cm (4.3 in.)	<a href="#">12, 43</a>
244971	WIRE SADDLE	<a href="#">43</a>
258876	SCREW - machine, flat head, <i>Phillips</i> drive, M3 x 0.5	<a href="#">42</a>
273423	SCREW - machine, pan head, <i>Torx</i> drive, zinc, M3 x 10	<a href="#">16</a>
273439	SCREW - machine, pan head, <i>Torx</i> drive, zinc, M3 x 25	<a href="#">35</a>
283191	SCREW - set screw, hex socket head, cup point, zinc, M3 x 10	<a href="#">11</a>
287257	LABEL - "ESD GROUND"	<a href="#">43</a>
2B4081	SCREW - machine, hex washer head, <i>Torx</i> drive, black, M4 x 8	<a href="#">34</a>
2F9565	FUSE - power supply, 6.3 A, i5250/i5250V/i5650/i5650V/i5650S	<a href="#">21</a>
2F9567	FILTER INLET - AC	<a href="#">21, 22, 39</a>
315219	E-RING - M3	<a href="#">20</a>
315220	E-RING - clip, ME-5-ST-PA-S	<a href="#">34</a>
324598	SPACERS - SIC board	<a href="#">43</a>
3B2037	SPRING - LC-029C-10-MW	<a href="#">16</a>
3B7089	SCREW - shoulder, slotted head, slotted drive, M3 x 4	<a href="#">29, 9</a>
3C9239	SPRING - compression, end block	<a href="#">23</a>
3E9567	SPRING - extension	<a href="#">19</a>
3E9575	DANGLER - i5250/i5250V/i5650/i5650V/i5850 Rear Exit	<a href="#">1</a>
3E9967	DUCT - fan, E-Box, i5850	<a href="#">12, 35</a>
3J1471	SCREW - cap, hex socket, black, M8 x 20	<a href="#">41</a>
499019	BUSHING	<a href="#">37</a>
499204	SCREW - self-tapping	<a href="#">10</a>
4B4483	STANDOFF - clinch, M3 x 18	<a href="#">12, 35</a>
4C8418	SCREW - machine, pan head, <i>Phillips</i> drive, zinc,	<a href="#">21</a>
4C8498	PIN - clutch	<a href="#">16</a>
4C8572	LABEL - warning, high temperature	<a href="#">43</a>

## Numerical Index

Part No.	Description	Figure No.
4E1567	TIE-WRAP - standard, 10 cm (3.9 in.), black	<a href="#">43</a>
4F5026	CLAMP - cable, flat	<a href="#">43</a>
4H2535	CLIP - <i>Richco</i> , LWS-A-3-01	<a href="#">13</a>
573450	SPRING - compression, latch	<a href="#">7</a>
5E4420	CLUTCH - reel, EC25LLCCW6MM24	<a href="#">16</a>
5E4874	SCREW - tapping, round washer head, <i>Torx</i> drive, zinc, M3 x 8	<a href="#">12, 16, 17, 18, 3, 35, 37, 38, 4, 7, 8</a>
5E4877	SCREW - tapping, oval washer head, zinc, M4 x 12	<a href="#">11</a>
5E4889	WASHER	<a href="#">7</a>
5E4943	CLIP - wire	<a href="#">12</a>
5E4950	FOAM - camera cover	<a href="#">8</a>
5E5028	NUT - lock, with washer, M4	<a href="#">21</a>
5F1583	CLIP - <i>Richco</i> , LWS-A-4-01	<a href="#">13</a>
5F1872	NUT - zinc plated, M3 x 0.5	<a href="#">21, 43</a>
5F4822	SWITCH - table, up/down, i5850/i5850 Rear Exit	<a href="#">40</a>
5F7189	INK CARTRIDGE - black	<a href="#">9</a>
5F7967	SCREW - machine, pan head, <i>Torx</i> drive, zinc, M3 x 6	<a href="#">12, 13, 14, 15, 18, 28, 30, 31, 34, 9</a>
5F8689	STANDOFF - hex head, M3 x 14	<a href="#">21</a>
5K0074	BOARD - CGA	<a href="#">12</a>
5K0167	SCREW - TF, hex flange, <i>Torx</i> drive, M4 x 16	<a href="#">40</a>
5K0298	LABEL - "Kofax VRS", i5250V/i5650V	<a href="#">7</a>
5K0706	BOARD - AC power, i5250/i5250V/i5650/i5650V/i5650S	<a href="#">21</a>
5K0708	POWER SUPPLY - AC, i5850S/i5850 Rear Exit	<a href="#">22</a>
5K1520	MAGNET - input tray	<a href="#">4</a>
5K1703	COVER - main, E-Box, left	<a href="#">3</a>
5K2174	MOTOR AY - transport, ADF, exit	<a href="#">24</a>
5K2181	MOTOR AY	<a href="#">27</a>
5K2181	MOTOR AY - i5250/i5250V/i5650/i5650V/i5850 Rear Exit	<a href="#">32</a>
5K2302	BOARD - scanner interconnect, SIC 3000bd, i5850	<a href="#">12, 13</a>
5K2323	UDDS RX PATCH AY	<a href="#">16, 17</a>
5K2396	SHAFT AY - NFR	<a href="#">25</a>
5K2396	SHAFT AY - pod	<a href="#">23</a>
5K2397	ROLLER AY, normal force	<a href="#">25</a>
5K2401	SHAFT - dark brown	<a href="#">24</a>
5K2404	SHAFT - orange	<a href="#">24</a>
5K2405	SHAFT - green	<a href="#">24</a>
5K2458	BEARING - ball	<a href="#">34</a>
5K2459	BEARING - 6 mm	<a href="#">16, 32</a>
5K2465	SHAFT - yellow	<a href="#">24</a>
5K2466	SHAFT AY - corrugated	<a href="#">24</a>
5K2467	SHAFT - white, i5850	<a href="#">24</a>
5K2468	SHAFT AY - drive, 10G, light brown	<a href="#">24</a>
5K2469	SHAFT AY - takeaway	<a href="#">24</a>
5K2475	BOARD - image processing, i5850	<a href="#">12</a>
5K2518	SPACER - UDDS	<a href="#">16, 17</a>
5K2519	DELTA WING - i5850	<a href="#">16, 17, 28</a>
5K2587	HARNESS - patch IDP board to UDDS rx patch AY	<a href="#">17</a>

## Numerical Index

Part No.	Description	Figure No.
5K2588	HARNESS - SIC, low res, printer	<a href="#">13</a>
5K2589	HARNESS - microphone	<a href="#">17</a>
5K2590	HARNESS - patch sensor AY	<a href="#">17</a>
5K2636	BAFFLE - base, top	<a href="#">10. 31. 32</a>
5K2637	BAFFLE - pod, upper	<a href="#">10. 30</a>
5K2662	CHANNEL - printer	<a href="#">9</a>
5K2838	FAN - drive motor, SCB	<a href="#">12</a>
5K2838	FAN AY - i5250/i5250V/i5650/i5650V/i5650S/i5850S/i5850 Rear Exit	<a href="#">35</a>
5K2840	FAN - power supply, i5250/i5250V/i5650/i5650V/i5650S	<a href="#">35</a>
5K2842	FAN AY - i5850	<a href="#">12. 35</a>
5K2875	BLOTTER	<a href="#">10. 30</a>
5K2877	SHAFT AY - drive, feeder, i5850	<a href="#">16</a>
5K2880	SHAFT - feeder release, i5250/i5250V/i5650/i5650V/i5650S/i5850S/ i5850 Rear Exit	<a href="#">16</a>
5K2890	MICROPHONE - mount, side	<a href="#">17</a>
5K2898	MICROPHONE - mount, center	<a href="#">17</a>
5K3005	COVER - electrical, feeder, i5850/i5850S/i5850 Rear Exit	<a href="#">16</a>
5K3006	COVER - electrical, release knob, feeder, i5850/i5850 Rear Exit	<a href="#">16</a>
5K3007	COVER - printer space	<a href="#">4</a>
5K3061	ROLLER AY - latch	<a href="#">34</a>
5K3078	CARRIER - printer	<a href="#">10</a>
5K3085	SHAFT - printer, rear	<a href="#">10</a>
5K3095	COVER - back AY, i5850	<a href="#">3</a>
5K3100	COVER - storage AY, i5850	<a href="#">3</a>
5K3111	COVER - main, front, i5850/i5850 Rear Exit	<a href="#">3</a>
5K3134	SHAFT AY - cross	<a href="#">11</a>
5K3137	GEAR - elevator motor	<a href="#">11</a>
5K3153	BOARD AY - patch IDP, i5850	<a href="#">17</a>
5K3154	HARNESS - interim, FWB, i5250/i5250V/i5650/i5650V/i5850 Rear Exit	<a href="#">13</a>
5K3157	RETAINER - sensors	<a href="#">17</a>
5K3169	HARNESS - SIC board to patch IDP board, i5850	<a href="#">17</a>
5K3187	BELT - TIMING 154T	<a href="#">25</a>
5K3188	PLATE - NFR SORTER RIGHT	<a href="#">25</a>
5K3189	PLATE - NFR SORTER LEFT	<a href="#">25</a>
5K3194	SHAFT AY, NFR diverter	<a href="#">25</a>
5K3202	BRUSH - static elimination	<a href="#">33</a>
5K3204	BAFFLE - exit base, upper	<a href="#">33</a>
5K3206	BAFFLE - exit pod, upper, i5650S/i5850S	<a href="#">30</a>
5K3207	BLOCK AY MOUNT - baffle sorter, right	<a href="#">33</a>
5K3208	BLOCK AY MOUNT - baffle sorter, left	<a href="#">33</a>
5K3236	HYDRO-LIFT - <i>Stabilus</i> , i5650S, i5850S	<a href="#">37</a>
5K3271	HARNESS - SIC, base, LED, FWB, i5850	<a href="#">13</a>
5K3284	GUARD - harness, i5850/i5850 Rear Exit	<a href="#">38</a>
5K3352	CLIP - retainer	<a href="#">10</a>
5K3355	ACTUATOR - INTERLOCK	<a href="#">26</a>
5K3435	GROMMET - strip	<a href="#">43</a>
5K3441	COVER - main, top, i5850/i5850 Rear Exit	<a href="#">3</a>
5K3446	BEARING PUCK, left	<a href="#">27</a>



## Numerical Index

Part No.	Description	Figure No.
5K3490	COVER - pod top right sorter, i5650S, i5850S	<a href="#">5</a>
5K3491	COVER - pod top left sorter, i5650S, i5850S	<a href="#">5</a>
5K3515	SCREW - SEMS, LK Wash. pan head, Torx drive, M3 x 16	<a href="#">27</a>
5K3519	HANDLE - latch, i5250/i5250V/i5650/i5650V/i5650S/i5850S/i5850 Rear Exit	<a href="#">34</a>
5K3550	GASKET - short, bottom camera cover, i5250/i5250V/i5650/i5650V/i5850 Rear Exit	<a href="#">8</a>
5K3553	ARM AY - hook, latch, left	<a href="#">34</a>
5K3558	RETAINER - microphone, i5250/i5250V/i5650/i5650V/i5650S/i5850S/i5850 Rear Exit	<a href="#">17</a>
5K3583	BRACKET - power entry, i5250/i5250V/i5650/i5650V	<a href="#">38</a>
5K3584	COVER AY - diverter, i5250/i5250V/i5650/i5650V	<a href="#">32</a>
5K3585	BAFFLE - back exit, i5250/i5250V/i5650/i5650V	<a href="#">32</a>
5K3595	PULLEY AY, 63T, 23T	<a href="#">25</a>
5K3603	BAFFLE - base, upper	<a href="#">33</a>
5K3604	BRACKET - spring, left	<a href="#">34</a>
5K3606	BRACKET - spring, right	<a href="#">34</a>
5K3643	HARNESS - SIC, pod, LED, diverter, i5850 Rear Exit	<a href="#">13</a>
5K3654	BAFFLE - back exit, base, i5250/i5250V/i5650/i5650V/i5650S/i5850S/i5850 Rear Exit	<a href="#">32</a>
5K3654	BAFFLE - rear exit, lower front, i5250/i5250V/i5650/i5650V/i5850S/i5850 Rear Exit	<a href="#">33</a>
5K3656	BAFFLE - back, base, i5250/i5250V/i5650/i5650V/i5650S/i5850S/i5850 Rear Exit	<a href="#">32</a>
5K3658	POWER SUPPLY - lambda, 24 V, i5250/i5250V/i5650/i5650V/i5650S/i5850S/i5850 Rear Exit	<a href="#">21, 22</a>
5K3659	POWER SUPPLY - lambda, 12 V, i5250/i5250V/i5650/i5650V/i5650S/i5850S/i5850 Rear Exit	<a href="#">21, 22</a>
5K3660	BRACKET - interlock	<a href="#">38</a>
5K3661	BRACKET - motor	<a href="#">24</a>
5K3663	SHAFT - white	<a href="#">24</a>
5K3683	PULLEY AY - 90T, 23T, i5250/i5250V/i5650/i5650V/i5850 Rear Exit	<a href="#">32</a>
5K3685	BAFFLE - back exit, i5650S/i5850S/i5850 Rear Exit	<a href="#">32</a>
5K3701	MOUNT PLATE AY - diverter, back, left, i5250/i5250V/i5650/i5650V/i5850 Rear Exit	<a href="#">32</a>
5K3717	IDLER PULLEY - 30T, diverter, back, i5250/i5250V/i5650/i5650V/i5850 Rear Exit	<a href="#">32</a>
5K3749	BELT - timing 120T	<a href="#">25, 27</a>
5K3759	BELT - timing, 150T, i5250/i5250V/i5650/i5650V/i5850 Rear Exit	<a href="#">32</a>
5K3760	BELT - timing, 73T, i5250/i5250V/i5650/i5650V/i5850 Rear Exit	<a href="#">32</a>
5K3778	HARNESS - SIC, interlock, AC, i5650S/i5850S	<a href="#">13</a>
5K3810	ENCLOSURE - back exit, i5850 Rear Exit	<a href="#">3</a>
5K3929	POWER SUPPLY - lambda, 24 V, lift, i5850S/i5850 Rear Exit	<a href="#">22</a>
5K3937	POWER SUPPLY AY - i5250/i5250V/i5650/i5650V/i5650S	<a href="#">21</a>
5K3955	HARNESS - AC power to lambda power supply, i5250/i5250V/i5650/i5650V/i5650S	<a href="#">21</a>
5K3956	HARNESS - lambda, DC output to SIC, i5250/i5250V/i5650/i5650V	<a href="#">13</a>
5K3956	HARNESS - lambda, DC output to SIC, i5250/i5250V/i5650/i5650V/i5650S	<a href="#">22</a>



## Numerical Index

Part No.	Description	Figure No.
5K3957	HARNESS - AC power to lambda power supply, i5850S/i5850 Rear Exit	<a href="#">22</a>
5K3958	HARNESS - lambda, DC output to SIC, i5850 Rear Exit	<a href="#">13</a>
5K3958	HARNESS - lambda, DC output to SIC, i5850S/i5850 Rear Exit	<a href="#">22</a>
5K4008	HARNESS - SIC, base, LED, FWB, staple detect, i5250/i5250V/i5650/i5650V/i5850 Rear Exit	<a href="#">13</a>
5K4010	HARNESS - metal detect, interim, i5250/i5250V/i5650/i5650V/i5650S/i5850S/i5850 Rear Exit	<a href="#">18</a>
5K4011	HARNESS - SIC board to patch IDP board, i5250/i5250V/i5650/i5650V/i5650S/i5850S/i5850 Rear Exit	<a href="#">17</a>
5K4012	BOARD - image processing, i5250/i5250V/i5650/i5650V/i5650S/i5850S/i5850 Rear Exit	<a href="#">12</a>
5K4016	BOARD - scanner interconnect, SIC 3000bd, i5250/i5250V/i5650/i5650V/i5650S/i5850S/i5850 Rear Exit	<a href="#">12</a>
5K4044	SHAFT END - release, feeder, i5250/i5250V/i5650/i5650V/i5650S/i5850S/i5850 Rear Exit	<a href="#">16</a>
5K4062	DANGLER AY - short, rear exit	<a href="#">2</a>
5K4063	DANGLER AY - long, rear exit	<a href="#">2</a>
5K4096	BOARD - LED driver, i5250/i5250V/i5650/i5650V/i5650S/i5850S/i5850 Rear Exit	<a href="#">15</a>
5K4111	DANGLER AY - short, i5250/i5250V/i5650/i5650V/i5850 Rear Exit	<a href="#">1</a>
5K4112	DANGLER AY - long, i5250/i5250V/i5650/i5650V/i5850 Rear Exit	<a href="#">1</a>
5K4113	BOARD - USB hub	<a href="#">12</a>
5K4120	BACKSTOP - sorter tray, i5650S, i5850S	<a href="#">2</a>
5K4122	OUTPUT TRAY 2 AY, top	<a href="#">2</a>
5K4145	DUCT - fan, E-Box, i5250/i5250V/i5650/i5650V/i5650S/i5850S/i5850 Rear Exit	<a href="#">12, 35</a>
5K4146	STRIP - foam	<a href="#">35</a>
5K4147	PAD - foam	<a href="#">35</a>
5K4149	BRACKET - E-Box	<a href="#">12</a>
5K4153	FAN AY - i5250/i5250V/i5650/i5650V/i5650S/i5850S/i5850 Rear Exit	<a href="#">12, 35</a>
5K4161	OUTPUT TRAY AY, rear exit	<a href="#">2</a>
5K4166	MOUNT PLATE - diverter, back, stationary, i5250/i5250V/i5650/i5650V/i5850 Rear Exit	<a href="#">32</a>
5K4169	BRACKET - motor, exit, i5250/i5250V/i5650/i5650V	<a href="#">32</a>
5K4175	COVER, main top right sorter, i5850S	<a href="#">5</a>
5K4178	LEAD - TRIM	<a href="#">5</a>
5K4187	COVER - back exit, lower, i5250/i5250V/i5650/i5650V	<a href="#">3</a>
5K4188	COVER - main, front, i5250	<a href="#">3</a>
5K4189	COVER - main, front, i5250V	<a href="#">3</a>
5K4190	COVER - main, front, i5650	<a href="#">3</a>
5K4191	COVER - main, front, i5650V	<a href="#">3</a>
5K4194	COVER - main front - i5850S	<a href="#">5</a>
5K4200	COVER - rear printer AY, i5250/i5250V/i5650/i5650V	<a href="#">3</a>
5K4209	HARNESS - metal detect, main, i5250/i5250V/i5650/i5650V/i5650S/i5850S/i5850 Rear Exit	<a href="#">18</a>
5K4218	OUTPUT TRAY AY - i5250/i5250V/i5650/i5650V/i5850 Rear Exit	<a href="#">1</a>
5K4240	MOUNT PLATE AY - diverter, back, right, i5250/i5250V/i5650/i5650V/i5850 Rear Exit	<a href="#">32</a>

Numerical Index		
Part No.	Description	Figure No.
5K4245	BOARD AY - patch IDP, i5250/i5250V/i5650/i5650V/i5650S/i5850S/i5850 Rear Exit	<a href="#">17</a>
5K4250	COVER - main top left sorter, i5650S, i5850S	<a href="#">5</a>
5K4251	COVER, main top right sorter, i5650S	<a href="#">5</a>
5K4271	BEARING CLAMP - i5250/i5250V/i5650/i5650V/i5850 Rear Exit	<a href="#">32</a>
5K4275	SHAFT AY - drive, feeder, i5250/i5250V/i5650/i5650V/i5650S/i5850S/i5850 Rear Exit	<a href="#">16</a>
5K4304	BRUSH AY - static reducer, i5250/i5250V/i5650/i5650V/i5850 Rear Exit	<a href="#">32</a>
5K4388	BOARD - S0 sensor, i5250/i5250V/i5650/i5650V/i5650S/i5850S/i5850 Rear Exit	<a href="#">16</a>
5K4390	COVER - rear printer AY, i5850/i5850 Rear Exit	<a href="#">3</a>
5K4394	RETAINER - sensor, staple detect, left, i5250/i5250V/i5650/i5650V/i5650S/i5850S/i5850 Rear Exit	<a href="#">18</a>
5K4395	RETAINER - sensor, staple detect, right, i5250/i5250V/i5650/i5650V/i5650S/i5850S/i5850 Rear Exit	<a href="#">18</a>
5K4404	TAIL STOP AY - upper and rear exit	<a href="#">2</a>
5K4414	SENSOR - staple detect, i5250/i5250V/i5650/i5650V/i5650S/i5850S/i5850 Rear Exit	<a href="#">18</a>
5K4433	BAFFLE AY - lower, ADF, i5250/i5250V/i5650/i5650V/i5650S/i5850S/i5850 Rear Exit	<a href="#">18, 29</a>
5K4481	MOUNT PLATE AY	<a href="#">25, 27</a>
5K4531	COVER - main, left i5850S	<a href="#">5</a>
5K4579	TAPE - foil, staple detect, left, i5250/i5250V/i5650/i5650V/i5650S/i5850S/i5850 Rear Exit	<a href="#">18</a>
5K4580	DELTA WING - i5250/i5250V/i5650/i5650V/i5650S/i5850S/i5850 Rear Exit	<a href="#">16, 17, 28</a>
5K4583	BOARD - scanner control, i5650S/i5850S/i5850/i5850 Rear Exit	<a href="#">12</a>
5K4585	SCREW - pan head M3 x 8, SUS 304	<a href="#">5</a>
5K4598	MOUNT - fan, i5650S/i5850S	<a href="#">35</a>
5K4654	COVER - main, left i5650S	<a href="#">5</a>
5K4792	BAFFLE - pod, lower, i5250/i5250V/i5650/i5650V/i5850 Rear Exit	<a href="#">30</a>
5K4795	BAFFLE - back, base, i5250/i5250V/i5650/i5650V/i5650S/i5850S/i5850 Rear Exit	<a href="#">33</a>
5K4795	BAFFLE - lower rear, back, i5650s/i5850s	<a href="#">31</a>
5K4882	ROLLER DRIVE	<a href="#">25</a>
5K5020	SPEAKER - i5250/i5250V/i5650/i5650V/i5850 Rear Exit	<a href="#">7</a>
5K5074	BEARING - ADAPTER	<a href="#">25</a>
5K5126	BOARD - scanner control, i5250/i5250V/i5650/i5650V	<a href="#">12</a>
5K5172	BRACKET - main cover, right	<a href="#">6</a>
5K5179	PLATE AY - pivot, pod, i5650S/i5850S	<a href="#">38</a>
5K5183	PIN AY - pivot	<a href="#">5</a>
5K5187	MOUNT - MOTOR	<a href="#">27</a>
5K5189	BELT - timing 81T	<a href="#">25, 27</a>
5K5255	BEARING PUCK, right	<a href="#">27</a>
5K5258	BEARING - ADAPTER, LOWER	<a href="#">25</a>
5K5260	SHAFT AY - DRIVE EXIT SORTER	<a href="#">25</a>
5K5266	SHIELD - protective	<a href="#">27</a>
5K5286	BOARD - DIVERTER MOTOR DRIVER	<a href="#">27</a>
5K5289	HARNESS - relay to 2 PKT SORTER	<a href="#">27</a>

## Numerical Index

Part No.	Description	Figure No.
5K5366	COVER - back AY, i5650S, i5850S	<a href="#">3</a>
5K5391	BAFFLE - exit sorter, upper, i5650S, i5850S	<a href="#">33</a>
5K5425	LINK, sorter cover	<a href="#">5</a>
5K5426	SPACER LINK	<a href="#">5</a>
5K5580	PROP ROD, i5650S, i5850S	<a href="#">43</a>
5K5582	COVER - main, top middle, i5650S/i5850S	<a href="#">3</a>
5K5680	BAFFLE - exit sorter, NFR, i5650S, i5850S	<a href="#">33</a>
5K5757	BAFFLE - lower, pod, i5650S/i5850S	<a href="#">30</a>
5K5810	OUTPUT TRAY AY, bottom	<a href="#">2</a>
5K5946	PLATE AY, idler	<a href="#">25</a>
691944	SCREW - tapping, pan head, Torx drive, zinc, M2 x 4	<a href="#">28, 29</a>
6E6544	END BLOCK - bearing	<a href="#">23</a>
6E6559	CLIP - retainer	<a href="#">19, 20, 23, 9</a>
6E8946	NYLINER	<a href="#">7</a>
6J7022	FOOT BUMPER	<a href="#">36</a>
6J7052	BRACKET - SIC board	<a href="#">13</a>
6J7059	BRACKET - cover, top, OCP	<a href="#">7</a>
6J7192	SNAP - tray, output	<a href="#">3</a>
6J7285	PLATE - stiffener, weldment	<a href="#">19</a>
6J7286	BRACKET - gap release, weldment, i5250/i5250V/i5650/i5650V/i5650S	<a href="#">20</a>
6J7303	HYDRO-LIFT - <i>Stabilus</i> , 150N	<a href="#">37, 38</a>
6J7313	MOUNT - camera, wide	<a href="#">8</a>
6J7314	MOUNT - camera, narrow	<a href="#">8</a>
6J7315	PIN MOUNT - actuator arm	<a href="#">20</a>
6J7317	BRACKET - power entry, i5850/i5850 Rear Exit	<a href="#">38, 39</a>
6J7366	BRACKET AY - gap release, i5850/i5850S/i5850 Rear Exit	<a href="#">20</a>
6J7393	RESTRAINT - UDDS	<a href="#">18</a>
6J7429	STRIP FILLER	<a href="#">11</a>
6J7484	BRACKET - printer board connector	<a href="#">10, 9</a>
6J7612	GASKET - short, bottom camera cover, i5850	<a href="#">8</a>
6J7613	GASKET - long, bottom camera cover	<a href="#">8</a>
6J7636	COVER - pedestal, outer, center, i5850/i5850 Rear Exit	<a href="#">39</a>
6J7637	COVER - back, inner, i5850/i5850 Rear Exit	<a href="#">39</a>
6J7640	SKIRT - back, i5850/i5850 Rear Exit	<a href="#">39</a>
6J7643	PLATE - bottom, workshelf, i5850/i5850 Rear Exit	<a href="#">40</a>
6J7644	BRACKET - zip chain, upper	<a href="#">42</a>
6J7649	HARNESS - AC inlet to AC power, i5850/i5850S/i5850 Rear Exit	<a href="#">22</a>
6J7651	BRACKET - caster wheel, fixed, i5850/i5850 Rear Exit	<a href="#">41</a>
6J7653	BRACKET - caster wheel, swivel, i5850/i5850 Rear Exit	<a href="#">41</a>
6J7692	WORKSHELF - top, i5850/i5850 Rear Exit	<a href="#">40</a>
6J7694	COVER - filler, side, left, i5650S/i5850S/i5850/i5850 Rear Exit	<a href="#">5</a>
6J7694	COVER - filler, side, left, i5850/i5850 Rear Exit	<a href="#">3</a>
6J7695	COVER - filler, side, right, i5850/i5850 Rear Exit	<a href="#">3</a>
6J7696	COVER - main, front, right, i5850/i5850 Rear Exit	<a href="#">7</a>
6J7697	COVER - main, left, i5850/i5850 Rear Exit	<a href="#">3</a>
6J7698	COVER - main, right, i5650S/i5850S/i5850/i5850 Rear Exit	<a href="#">5</a>
6J7698	COVER - main, right, i5850/i5850 Rear Exit	<a href="#">3</a>
6J7718	LIFT PLATE - i5850/i5850 Rear Exit	<a href="#">39</a>

## Numerical Index

Part No.	Description	Figure No.
6J7721	BRACKET - plate lock, i5850/i5850 Rear Exit	<a href="#">40</a>
6J7722	PLATE - lift, i5850/i5850 Rear Exit	<a href="#">39</a>
6J7723	SHAFT - lift, i5850/i5850 Rear Exit	<a href="#">39</a>
6J7724	LIFT LEVEL - i5850/i5850 Rear Exit	<a href="#">39</a>
6J7726	PIN - bottom plate, i5850/i5850 Rear Exit	<a href="#">40</a>
6J7727	SHAFT - lift level	<a href="#">39</a>
6J7737	PLATE - overlay, base, i5850/i5850 Rear Exit	<a href="#">39</a>
6J7739	SKIRT - front, i5850/i5850 Rear Exit	<a href="#">39</a>
6J7740	SKIRT - left, i5850/i5850 Rear Exit	<a href="#">39</a>
6J7741	SKIRT - right, i5850/i5850 Rear Exit	<a href="#">39</a>
6J7743	OVERLAY - top, center, i5850/i5850 Rear Exit	<a href="#">39</a>
6J7744	OVERLAY - top, left, i5850/i5850 Rear Exit	<a href="#">39</a>
6J7745	OVERLAY - top, right, i5850/i5850 Rear Exit	<a href="#">39</a>
6J7746	COVER - pedestal, outer, i5850/i5850 Rear Exit	<a href="#">39</a>
6J7755	BRACKET - gap release, weldment, i5850/i5850S/i5850 Rear Exit	<a href="#">20</a>
6J7760	POWER SUPPLY - AC, i5850	<a href="#">22</a>
6J7764	HARNESS - interim, p-switch, i5850/i5850 Rear Exit	<a href="#">40</a>
6J7773	HARNESS - AC power to lambda power supply, i5850	<a href="#">22</a>
6J7774	HARNESS - lambda, DC output to SIC, i5850	<a href="#">13, 22</a>
6J7775	HARNESS - SIC, interlock, power supply on/off, i5850/i5850 Rear Exit	<a href="#">13</a>
6J7775	HARNESS - SIC, interlock, power supply on/off, i5850/i5850S/i5850 Rear Exit	<a href="#">42</a>
6J7776	HARNESS - power supply, lift, i5850/i5850S/i5850 Rear Exit	<a href="#">22</a>
6J7789	CASTER - fixed, i5850/i5850 Rear Exit	<a href="#">41</a>
6J7790	CASTER - swivel, i5850/i5850 Rear Exit	<a href="#">41</a>
6J7854	WIRE CHANNEL AY - i5850/i5850 Rear Exit	<a href="#">39</a>
6J7900	PLATE - motor AY	<a href="#">11</a>
6J7946	MOTOR AY - transport, ADF	<a href="#">16, 24</a>
6J7947	BRACKET - motor, i5850	<a href="#">24</a>
6J7953	BRACKET - fan, left, top	<a href="#">35</a>
6J7968	BRACKET - motor, ADF	<a href="#">16</a>
6J7969	GUARD - motor, ADF	<a href="#">16</a>
6J7985	PLATE BRACKET AY	<a href="#">39</a>
748353	SCREW - machine, hex washer head, <i>Torx</i> drive, black, M3 x 6	<a href="#">11, 14, 15, 32, 34, 38</a>
748354	SCREW - machine, hex washer head, <i>Torx</i> drive, black, M3 x 12	<a href="#">34, 36, 40</a>
748360	SCREW - machine, hex washer head, <i>Torx</i> drive, black, M4 x 12	<a href="#">39</a>
748361	SCREW - machine, hex washer head, <i>Torx</i> drive, black, M4 x 25	<a href="#">34</a>
749508	LABEL - green	<a href="#">43</a>
790741	SPRING - compression	<a href="#">29, 7, 9</a>
7E0733	SPRING - <i>Lee</i> , EIM030D 08 S	<a href="#">19, 20</a>
7E7743	SCREW - hex, flange head	<a href="#">2</a>
7E9188	SCREW - machine, hex washer head, <i>Torx</i> drive, black, M3 x 16	<a href="#">12, 35</a>
7E9189	SCREW - sems, <i>Torx</i> drive, hex washer, zinc, black, M4 x16	<a href="#">39</a>
7E9439	HARNESS - cable, video	<a href="#">13</a>
7E9684	NUT - <i>Palnut</i> , non-removable	<a href="#">43</a>
7J0159	SCREW - tapping, washer head, <i>Torx</i> drive, zinc, M3 x 14	<a href="#">16</a>
7J0471	POWER SUPPLY - lambda, 24 V, lift, i5850	<a href="#">22</a>
7J0872	NUT - lock, hex, nylon insert, M4	<a href="#">39</a>

## Numerical Index

Part No.	Description	Figure No.
7J3500	BUTTON - gap release, i5850/i5850S/i5850 Rear Exit	<a href="#">20</a>
7J3502	LINK - release, gap, i5850/i5850S/i5850 Rear Exit	<a href="#">20</a>
7J3621	COVER - pedestal, inner, i5850/i5850 Rear Exit	<a href="#">39</a>
7J3637	SCAN MODULE - pod, base	<a href="#">8</a>
7J3653	TRANSPORT ROLLERS KIT - pod and base, NCR paper	<a href="#">23, 24</a>
7J3660	COVER - pedestal, outer, left, i5850/i5850 Rear Exit	<a href="#">39</a>
7J3661	COVER - pedestal, outer, right	<a href="#">39</a>
7J3778	HARNESS - SIC, power supply on/off, i5850/i5850S/i5850 Rear Exit	<a href="#">22</a>
7J3790	PROTECTION RING - power box	<a href="#">42</a>
7J3791	BRACKET - zip chain, power box	<a href="#">42</a>
7J3837	COVER - connector board	<a href="#">10</a>
7J3841	SPRING - exit roller, NFR	<a href="#">23</a>
7J3928	HARNESS - SIC, motors	<a href="#">13</a>
7J3929	INPUT TRAY AY	<a href="#">11</a>
7J3943	PLATE - lock, i5850/i5850 Rear Exit	<a href="#">40</a>
7J3945	COVER - wheel	<a href="#">39</a>
7J3950	WHEEL AY - fip	<a href="#">39</a>
7J3956	PLATE - holding	<a href="#">39</a>
7J3972	PIN - 4 x 18, i5850/i5850 Rear Exit	<a href="#">40</a>
7J4035	BRACKET - motor	<a href="#">24</a>
7J4038	BELT - timing, 84T	<a href="#">24</a>
7J4099	SCREW - machine, hex head, Torx drive, steel, RoHS, M3 x 0.5 x 6	<a href="#">10, 21, 22, 30, 32, 33, 5</a>
7J4135	SUPPORT PLATE - top workshelf, i5850/i5850 Rear Exit	<a href="#">40</a>
7J4136	SKIRT - workshelf, i5850/i5850 Rear Exit	<a href="#">40</a>
7J4137	BOX - lift switch, i5850/i5850 Rear Exit	<a href="#">40</a>
7J4138	SUPPORT PILLAR - top workshelf, i5850/i5850 Rear Exit	<a href="#">40</a>
7J4139	SUPPORT - lift switch, i5850/i5850 Rear Exit	<a href="#">40</a>
7J4487	ROLLER - takeaway, NFR	<a href="#">23</a>
8C0877	WASHER - flat, F3, 8 mm	<a href="#">34</a>
8CK132	SCREW - tapping, pan washer head, Torx drive, zinc, M3 x 12	<a href="#">18, 19, 5</a>
8CK222	RUBBER TIP	<a href="#">36</a>
8F7708	HOLDER - spring	<a href="#">11</a>
8F7710	SPRING - LC 028BD 11M	<a href="#">11</a>
8F7747	BRACKET - card cage	<a href="#">12</a>
8F7791	SCREW - tapping, round washer head, Torx drive, zinc, M3 x 16	<a href="#">16</a>
8F7809	BRACKET - mounting, latch	<a href="#">34</a>
8F7880	RETAINER - harness, SIC	<a href="#">13</a>
8F7884	LABEL - modification	<a href="#">43</a>
8F7886	BRACKET - LED board, i5850	<a href="#">37</a>
8F7922	HARNESS - interim, FWB, i5850	<a href="#">13</a>
8F7996	COVER - printer	<a href="#">3</a>
8F7997	COVER - back, right, i5250/i5250V/i5650/i5650V	<a href="#">3</a>
8F7999	COVER - main, right, i5250/i5250V/i5650/i5650V	<a href="#">3</a>
8F8000	COVER - base, front, i5250/i5250V/i5650/i5650V	<a href="#">3</a>
8F8001	COVER - main, E-Box top	<a href="#">3, 5</a>
8F8003	COVER - main, top, i5250/i5250V/i5650/i5650V	<a href="#">3</a>
8F8004	COVER - main, left, i5250/i5250V/i5650/i5650V	<a href="#">3</a>
8F8005	COVER - pod, right	<a href="#">3, 5</a>

## Numerical Index

Part No.	Description	Figure No.
8F8006	COVER - pod, left	<a href="#">3, 5</a>
8F8007	COVER - pod, front, right side	<a href="#">4</a>
8F8008	COVER - pod, front, left side	<a href="#">4</a>
8F8009	COVER - pod, front, center	<a href="#">4</a>
8F8010	COVER - pod, top right	<a href="#">3</a>
8F8011	COVER - pod, top left	<a href="#">3</a>
8F8014	COVER - back, left, i5250/i5250V/i5650/i5650V	<a href="#">3</a>
8F8015	COVER - main, front, OCP, i5250/i5250V/i5650/i5650V	<a href="#">7</a>
8F8029	DUCT - wiring	<a href="#">34</a>
8F8035	COVER - actuator, lower	<a href="#">20</a>
8F8084	BRACKET - main cover, E-Box, top	<a href="#">6</a>
8F8085	BRACKET - pod cover, right, front	<a href="#">37</a>
8F8086	BRACKET - pod cover, right, back	<a href="#">37</a>
8F8089	BRACKET - pod cover, left, back	<a href="#">38</a>
8F8099	HARNESS - S0	<a href="#">16</a>
8F8100	HARNESS - interim, LCU internal fan	<a href="#">12</a>
8F8111	GEAR CLUSTER - elevator	<a href="#">11</a>
8F8152	LABEL - "Energy Star"	<a href="#">4, 43</a>
8F8153	LABEL - "Perfect Page", i5250/i5650/i5850/i5850 Rear Exit	<a href="#">43, 7</a>
8F8158	PIVOT MOUNT - pivot, output tray	<a href="#">8</a>
8F8294	MOTOR AY - elevator	<a href="#">11</a>
8F8296	SHAFT - printer, locator	<a href="#">9</a>
8F8339	BRIDGE - carriage	<a href="#">11</a>
8F8345	SHIM - rail, carriage	<a href="#">11</a>
8F8358	BEARING - nyliner	<a href="#">16</a>
8F8360	BRACKET - pod cover, right, center	<a href="#">37</a>
8F8394	COVER - elevator pinion, right	<a href="#">18</a>
8F8416	LABEL - fuse, 6.3 A	<a href="#">43</a>
8F8419	NUT - thin, M8 x 1.0	<a href="#">16</a>
8F8420	SPACER - adjustable	<a href="#">16</a>
8F8421	RETAINER - ADF baffle, center	<a href="#">19</a>
8F8424	STRIP - side guide, de-latch	<a href="#">4</a>
8F8441	GASKET - EMI	<a href="#">12</a>
8F8448	LABEL - cartridge replacement	<a href="#">43, 9</a>
8F8449	CLIP - EMI	<a href="#">12</a>
8F9430	BRUSH - static reducer, i5850	<a href="#">31</a>
8F9434	GEAR - elevator	<a href="#">11</a>
8F9603	FAN AY - CCD AY	<a href="#">35, 8</a>
8F9628	HOLE FILLER	<a href="#">18</a>
8F9668	BOARD - LED driver, i5850	<a href="#">14</a>
8F9673	CLIP - main cover, right	<a href="#">3</a>
8F9674	BRACKET - pod cover, left, front	<a href="#">38</a>
8F9686	BRACKET - cover, left front	<a href="#">38</a>
8F9717	COVER - mount, fan	<a href="#">8</a>
8F9718	BRACKET - fan, scan module	<a href="#">8</a>
8F9719	FOAM - fan, scan module	<a href="#">8</a>
8F9720	RETAINER - harness	<a href="#">37, 38</a>
8F9750	MOUNT AY - pod baffle, right, i5650S/i5850S	<a href="#">30</a>



## Numerical Index

Part No.	Description	Figure No.
8F9751	MOUNT AY - pod baffle, left, i5650S/i5850S	<a href="#">30</a>
8F9764	SPRING - compression, background AY	<a href="#">28, 29</a>
8F9765	OUTPUT TRAY AY - i5850	<a href="#">1</a>
8F9771	BLOCK ROTATE	<a href="#">36</a>
8F9807	COVER - top, right, OCP	<a href="#">7</a>
8F9813	MOUNT - baffle, pod, right	<a href="#">30</a>
8F9814	MOUNT - baffle, pod, left	<a href="#">30</a>
8F9822	PIN - backup	<a href="#">29</a>
8F9831	BRACKET - fan, left, bottom	<a href="#">35</a>
8F9838	COVER - wire, left	<a href="#">38</a>
8F9839	COVER - wire, right	<a href="#">37</a>
8F9841	ROLLER - spring	<a href="#">34</a>
8F9854	PLATE - motor, elevator	<a href="#">11</a>
8F9864	HARNESS - SIC, UDDS, tx	<a href="#">13</a>
8F9870	RATCHET - OCP, side wall	<a href="#">7</a>
8F9888	SCREW - motor, elevator	<a href="#">11</a>
8F9892	SLEEVE - shielding, braided, i5850	<a href="#">14</a>
8F9901	RETAINER - UDDS	<a href="#">18</a>
8F9914	STRIP - printer backup	<a href="#">9</a>
8F9942	BLOTTER - center	<a href="#">9</a>
8F9967	RAIL - release, latch	<a href="#">34</a>
8F9971	CENTER CHANNEL	<a href="#">28</a>
8F9989	BLOTTER - large	<a href="#">9</a>
8F9997	RAIL - carriage	<a href="#">11</a>
903757	NUT - hex	<a href="#">16</a>
914047	NUT - hex, lock	<a href="#">34</a>
946316	LABEL - warning, moving parts	<a href="#">4, 43</a>
981710	SCREW - machine, hex washer head, <i>Torx</i> drive, black, M3 x 0.05 x 8	<a href="#">11, 12, 13, 16, 18, 19, 20, 24, 27, 29, 3, 30, 32, 33, 34, 35, 37, 38, 39, 40, 42, 5, 6, 7, 8, 9</a>
9E3014	SCREW - thumb, long	<a href="#">28, 29</a>
9E3266	TAPE - reflective	<a href="#">18</a>
9E4038	CARRIAGE SLIDER	<a href="#">9</a>
9E4039	BALL MOUNT SHOCK	<a href="#">37, 38</a>
9E4089	BELT - timing, 91T	<a href="#">24</a>
9E4093	BELT - timing, 93T	<a href="#">24</a>
9E4258	ROD - printer, rear	<a href="#">10</a>
9E4903	BRACKET - motor, exit	<a href="#">24</a>
9E4906	CHAIN ZIPPER	<a href="#">42</a>
9E4954	BAFFLE - base, bottom, i5850	<a href="#">31</a>
9E5352	SENSOR - stack up, with cable	<a href="#">16</a>
9E5478	COVER - printer board	<a href="#">9</a>
9E5636	SCREW - self-tapping, pan head, <i>Torx</i> drive, zinc, M2.5 x 8	<a href="#">23, 28</a>
9E5642	SPIRAL WRAP	<a href="#">43</a>
9E5658	SCREW - leveling foot, M12	<a href="#">41</a>
9E5720	GASKET - camera cover, pod, bottom	<a href="#">8</a>
9E7238	NUT - stainless steel, M8	<a href="#">41</a>

## Numerical Index

Part No.	Description	Figure No.
9E7240	LOCK WASHER - stainless steel, 10 mm x 3	<a href="#">41</a>
9E7241	SCREW - machine, hex socket head, zinc, M10 x 40	<a href="#">39</a>
9E7972	BELT - timing, 120T	<a href="#">24</a>
9E7973	BELT - timing, 95T	<a href="#">24, 25</a>
9E8208	BELT - timing, 132T	<a href="#">16</a>
9E8301	BELT - timing, 63T	<a href="#">24</a>
9E8334	ACTUATOR - switch	<a href="#">38</a>
9E8358	BRACKET - support, clutch	<a href="#">16</a>
9E8373	SHAFT - gap release	<a href="#">19</a>
9E8543	COVER - camera, pod	<a href="#">8</a>
9E8545	BAFFLE - pod, lower, i5850	<a href="#">30</a>
9E8587	GASKET - camera cover, pod, center	<a href="#">8</a>
9E8588	GASKET - camera cover, pod, top	<a href="#">8</a>
9E8739	SCREW - tapping, pan head, Torx drive, zinc, M2.5 x 5	<a href="#">7</a>
9E8799	LINK - pin, diverter	<a href="#">20</a>
9E8810	ARM - actuator, separation rollers	<a href="#">19, 20</a>
9E8815	CLIP - camera, wide	<a href="#">8</a>
9E8816	CLIP - camera, narrow	<a href="#">8</a>
9E8865	PULLEY - feeder, 50T	<a href="#">16</a>
9E8872	DOOR - access	<a href="#">18</a>
9E8891	COVER - clip, camera	<a href="#">8</a>
9E8923	PIN PIVOT	<a href="#">11</a>
9E8924	RETAINER - pin pivot	<a href="#">11</a>
9E8927	SENSOR - elevator home	<a href="#">18</a>
9E8932	DUST COVER - NFR	<a href="#">23</a>
9E9234	LINK - release	<a href="#">34</a>
9E9251	SPRING - extension, Lee, LEM075CD-08-M	<a href="#">34</a>
9E9311	END CAP - LED AY, i5850	<a href="#">14</a>
9E9312	RETAINER CLIPS - wire, motor	<a href="#">43</a>
9E9325	COVER - dust	<a href="#">23, 28</a>
9E9327	FOAM - dust cover	<a href="#">28</a>
9E9365	BELT - timing, 80T	<a href="#">24</a>
9E9437	KNOB - release, feeder	<a href="#">16</a>
9E9438	POST - release, feeder	<a href="#">16</a>
9E9440	SHAFT END - release, feeder, i5850	<a href="#">16</a>
9E9441	SPRING - C0360-038-2500-M	<a href="#">16</a>
9E9444	SHAFT - feeder release, i5850	<a href="#">16</a>
9E9475	ARM - hook, latch, right	<a href="#">34</a>
9E9479	ARM RELEASE	<a href="#">34</a>
9E9508	SHAFT - latch release	<a href="#">34</a>
9E9563	MOUNT - tray, left	<a href="#">11</a>
9E9564	MOUNT - tray, right	<a href="#">11</a>
9E9585	SPEAKER - i5850	<a href="#">7</a>
9E9592	RETAINER - wire, paper sensor	<a href="#">11</a>
9E9649	SWITCH - power LED, OCP	<a href="#">13, 7</a>
9E9650	CABLE - ethernet, OCP	<a href="#">13, 7</a>
9E9653	HARNESS - SIC, base, elevator	<a href="#">13</a>



## Numerical Index

Part No.	Description	Figure No.
9E9655	HARNESS - SIC, interlock, power supply on/off, i5250/i5250V/i5650/i5650V	<a href="#">13</a>
9E9655	HARNESS - SIC, interlock, power supply on/off, i5250/i5250V/i5650/i5650V/i5650S	<a href="#">42</a>
9E9656	HARNESS - SIC, UDDS, rx intercon	<a href="#">13</a>
9E9657	HARNESS - SIC, pod, S0 stack, clutch	<a href="#">13</a>
9E9660	HARNESS - SIC, LCU, power supply, motor, fans	<a href="#">13</a>
9E9663	HARNESS - USB, IPB to hub	<a href="#">12</a>
9E9664	HARNESS - AC inlet to AC power board, i5250/i5250V/i5650/i5650V/i5650S	<a href="#">21</a>
9E9711	SHAFT - pivot, bezel	<a href="#">7</a>
9E9717	LOCK - OCP	<a href="#">7</a>
9E9746	TUBE - gap release	<a href="#">19</a>
9E9747	TUBE - clutch, stop	<a href="#">16</a>
9E9777	SCREW - thumb, short	<a href="#">28, 29</a>
9E9778	WASHER - crescent, <i>Seastrom</i> 5804-265	<a href="#">16</a>
9E9779	WASHER - flat	<a href="#">16</a>
9E9795	HARNESS - IPB to scan power	<a href="#">13</a>
9E9796	RETAINER - bearing	<a href="#">24</a>
9E9829	BUTTON - gap release, i5250/i5250V/i5650/i5650V/i5650S	<a href="#">20</a>
9E9830	LINK - release, gap, i5250/i5250V/i5650/i5650V/i5650S	<a href="#">20</a>
9E9838	SPRING - detent, gap release	<a href="#">19, 20</a>
9E9839	MAGNET HOLDER - input tray	<a href="#">4</a>
9E9874	BRAKE - ADF	<a href="#">16</a>
9E9882	LIFT COLUMN - i5850/i5850 Rear Exit	<a href="#">39</a>
9E9908	PIN - link, latch	<a href="#">34</a>
9E9910	BRACKET - CGA board	<a href="#">12</a>
9E9932	STOP - latch, right	<a href="#">34</a>
9E9935	STOP - latch, left	<a href="#">34</a>
9E9936	BLOCK - latch, right	<a href="#">34</a>
9E9937	BLOCK - latch, left	<a href="#">34</a>
9E9946	EXTENSION - input tray	<a href="#">11</a>
9E9964	RELEASE - arm, hook, right	<a href="#">34</a>
CP5K0326	RELOCATION KIT - i5850/i5850 Rear Exit	<a href="#">43</a>
CP5K2385	PLATE AY, idler	<a href="#">25</a>
CP5K2464	SHAFT AY - set drive, i5850	<a href="#">24</a>
CP5K2984	HARNESS AY - paper sensor, reduced sensitivity	<a href="#">11</a>
CP5K3285	DIVERTER IDLER AY	<a href="#">27</a>
CP5K3636	CAM AY - right	<a href="#">5</a>
CP5K3637	CAM AY - left	<a href="#">5</a>
CP5K4219	TAIL STOP AY	<a href="#">1</a>
CP5K4455	GASKET - staple	<a href="#">12</a>
CP5K5208	DIVERTER AY - i5250/i5250V/i5650/i5650V/i5850 Rear Exit	<a href="#">32</a>
CP5K5209	LED AY - i5250/i5250V/i5650/i5650V/i5650S/i5850S/i5850 Rear Exit	<a href="#">15</a>
CP5K5432	COVER - CLAMSHELL AY	<a href="#">5</a>
CP5K5745	SORTER CLAMSHELL AY	<a href="#">26</a>
CP5K5870	EXIT TRAY SUPPORT AY, right	<a href="#">2</a>
CP5K5872	EXIT TRAY SUPPORT AY, left	<a href="#">2</a>

## Numerical Index

Part No.	Description	Figure No.
CP5K5941	DIVERter AY - upper	<a href="#">27</a>
CP7J3603	TAIL STOP ADAPTER	<a href="#">1</a>
CP7J3613	RELOCATION KIT - i5250/i5250V/i5650/i5650V	<a href="#">43</a>
CP8F7821	BAFFLE AY - lower, ADF, i5850	<a href="#">18, 29</a>
CP8F8430	HANDLE - latch, i5850	<a href="#">34</a>
CP8F8444	BAFFLE AY - printer backup	<a href="#">29, 9</a>
CP8F9811	POWER SUPPLY - lambda, 24 V, i5850	<a href="#">22</a>
CP8F9812	POWER SUPPLY - lambda, 12 V, i5850	<a href="#">22</a>
CP8F9848	BOARD - UDDS, tx	<a href="#">18</a>
CP8F9873	HARNESs AY - paper sensor	<a href="#">11</a>
CP8F9889	COVER - elevator pinion	<a href="#">18</a>
CP9E3357	STRIP - baffle, backup, black	<a href="#">29</a>
CP9E3940	BOARD - printer	<a href="#">10, 9</a>
CP9E5146	CARRIAGE AY - printer	<a href="#">9</a>
CP9E8446	LED AY - i5850	<a href="#">14</a>
CP9E9705	OCP AY	<a href="#">3, 7</a>
CP9E9889	BOARD - S0 sensor, i5850	<a href="#">16</a>
SP5K0208	CALIBRATION TARGET - white, 12 x 12 in., package of 5	<a href="#">43</a>
TBD	RELOCATION KIT - i5650S/i5850S	<a href="#">43</a>
TL7102	MAGNETIZER TOOL	<a href="#">43</a>

## Section 3: Alphabetical Index

### Alphabetical Index

Part No.	Description	Figure No.
5K3355	ACTUATOR - INTERLOCK	<a href="#">26</a>
9E8334	ACTUATOR - switch	<a href="#">38</a>
9E8810	ARM - actuator, separation rollers	<a href="#">19, 20</a>
9E9475	ARM - hook, latch, right	<a href="#">34</a>
5K3553	ARM AY - hook, latch, left	<a href="#">34</a>
9E9479	ARM RELEASE	<a href="#">34</a>
-----	BACKGROUND AY - flip-type, non-ribbed, base	<a href="#">29</a>
-----	BACKGROUND AY - flip-type, non-ribbed, pod	<a href="#">28</a>
-----	BACKGROUND AY - flip-type, ribbed, printer	<a href="#">28</a>
5K4120	BACKSTOP - sorter tray, i5650S, i5850S	<a href="#">2</a>
5K3654	BAFFLE - back exit, base, i5250/i5250V/i5650/i5650V/i5650S/i5850S/ i5850 Rear Exit	<a href="#">32</a>
5K3585	BAFFLE - back exit, i5250/i5250V/i5650/i5650V	<a href="#">32</a>
5K3685	BAFFLE - back exit, i5650S/i5850S/i5850 Rear Exit	<a href="#">32</a>
5K3656	BAFFLE - back, base, i5250/i5250V/i5650/i5650V/i5650S/i5850S/ i5850 Rear Exit	<a href="#">32</a>
5K4795	BAFFLE - back, base, i5250/i5250V/i5650/i5650V/i5650S/i5850S/ i5850 Rear Exit	<a href="#">33</a>
9E4954	BAFFLE - base, bottom, i5850	<a href="#">31</a>
5K2636	BAFFLE - base, top	<a href="#">10, 31, 32</a>
5K3603	BAFFLE - base, upper	<a href="#">33</a>
5K3204	BAFFLE - exit base, upper	<a href="#">33</a>
5K3206	BAFFLE - exit pod, upper, i5650S/i5850S	<a href="#">30</a>
5K5680	BAFFLE - exit sorter, NFR, i5650S, i5850S	<a href="#">33</a>
5K5391	BAFFLE - exit sorter, upper, i5650S, i5850S	<a href="#">33</a>
5K4795	BAFFLE - lower rear, back, i5650s/i5850s	<a href="#">31</a>
5K5757	BAFFLE - lower, pod, i5650S/i5850S	<a href="#">30</a>
5K4792	BAFFLE - pod, lower, i5250/i5250V/i5650/i5650V/i5850 Rear Exit	<a href="#">30</a>
9E8545	BAFFLE - pod, lower, i5850	<a href="#">30</a>
5K2637	BAFFLE - pod, upper	<a href="#">10, 30</a>
5K3654	BAFFLE - rear exit, lower front, i5250/i5250V/i5650/i5650V/i5850S/ i5850 Rear Exit	<a href="#">33</a>
5K4433	BAFFLE AY - lower, ADF, i5250/i5250V/i5650/i5650V/i5650S/i5850S/ i5850 Rear Exit	<a href="#">18, 29</a>
CP8F7821	BAFFLE AY - lower, ADF, i5850	<a href="#">18, 29</a>
CP8F8444	BAFFLE AY - printer backup	<a href="#">29, 9</a>
9E4039	BALL MOUNT SHOCK	<a href="#">37, 38</a>
5K2459	BEARING - 6 mm	<a href="#">16, 32</a>
5K5074	BEARING - ADAPTER	<a href="#">25</a>
5K5258	BEARING - ADAPTER, LOWER	<a href="#">25</a>
5K2458	BEARING - ball	<a href="#">34</a>
8F8358	BEARING - nyliner	<a href="#">16</a>
5K4271	BEARING CLAMP - i5250/i5250V/i5650/i5650V/i5850 Rear Exit	<a href="#">32</a>
5K3446	BEARING PUCK, left	<a href="#">27</a>
5K5255	BEARING PUCK, right	<a href="#">27</a>
5K3749	BELT - timing 120T	<a href="#">25, 27</a>

## Alphabetical Index

Part No.	Description	Figure No.
5K3187	BELT - TIMING 154T	<a href="#">25</a>
5K5189	BELT - timing 81T	<a href="#">25, 27</a>
9E7972	BELT - timing, 120T	<a href="#">24</a>
9E8208	BELT - timing, 132T	<a href="#">16</a>
5K3759	BELT - timing, 150T, i5250/i5250V/i5650/i5650V/i5850 Rear Exit	<a href="#">32</a>
9E8301	BELT - timing, 63T	<a href="#">24</a>
5K3760	BELT - timing, 73T, i5250/i5250V/i5650/i5650V/i5850 Rear Exit	<a href="#">32</a>
9E9365	BELT - timing, 80T	<a href="#">24</a>
7J4038	BELT - timing, 84T	<a href="#">24</a>
---	BELT - timing, 87T (Included with Clamshell)	<a href="#">25</a>
9E4089	BELT - timing, 91T	<a href="#">24</a>
9E4093	BELT - timing, 93T	<a href="#">24</a>
9E7973	BELT - timing, 95T	<a href="#">24, 25</a>
9E9937	BLOCK - latch, left	<a href="#">34</a>
9E9936	BLOCK - latch, right	<a href="#">34</a>
5K3208	BLOCK AY MOUNT - baffle sorter, left	<a href="#">33</a>
5K3207	BLOCK AY MOUNT - baffle sorter, right	<a href="#">33</a>
8F9771	BLOCK ROTATE	<a href="#">36</a>
5K2875	BLOTTER	<a href="#">10, 30</a>
8F9942	BLOTTER - center	<a href="#">9</a>
8F9989	BLOTTER - large	<a href="#">9</a>
5K0706	BOARD - AC power, i5250/i5250V/i5650/i5650V/i5650S	<a href="#">21</a>
5K0074	BOARD - CGA	<a href="#">12</a>
5K5286	BOARD - DIVERTER MOTOR DRIVER	<a href="#">27</a>
5K4012	BOARD - image processing, i5250/i5250V/i5650/i5650V/i5650S/i5850S/i5850 Rear Exit	<a href="#">12</a>
5K2475	BOARD - image processing, i5850	<a href="#">12</a>
5K4096	BOARD - LED driver, i5250/i5250V/i5650/i5650V/i5650S/i5850S/i5850 Rear Exit	<a href="#">15</a>
8F9668	BOARD - LED driver, i5850	<a href="#">14</a>
CP9E3940	BOARD - printer	<a href="#">10, 9</a>
5K4388	BOARD - S0 sensor, i5250/i5250V/i5650/i5650V/i5650S/i5850S/i5850 Rear Exit	<a href="#">16</a>
CP9E9889	BOARD - S0 sensor, i5850	<a href="#">16</a>
5K5126	BOARD - scanner control, i5250/i5250V/i5650/i5650V	<a href="#">12</a>
5K4583	BOARD - scanner control, i5650S/i5850S/i5850/i5850 Rear Exit	<a href="#">12</a>
5K4016	BOARD - scanner interconnect, SIC 3000bd, i5250/i5250V/i5650/i5650V/i5650S/i5850S/i5850 Rear Exit	<a href="#">12</a>
5K2302	BOARD - scanner interconnect, SIC 3000bd, i5850	<a href="#">12, 13</a>
CP8F9848	BOARD - UDDS, tx	<a href="#">18</a>
5K4113	BOARD - USB hub	<a href="#">12</a>
5K4245	BOARD AY - patch IDP, i5250/i5250V/i5650/i5650V/i5650S/i5850S/i5850 Rear Exit	<a href="#">17</a>
5K3153	BOARD AY - patch IDP, i5850	<a href="#">17</a>
7J4137	BOX - lift switch, i5850/i5850 Rear Exit	<a href="#">40</a>
8F7747	BRACKET - card cage	<a href="#">12</a>
6J7651	BRACKET - caster wheel, fixed, i5850/i5850 Rear Exit	<a href="#">41</a>
6J7653	BRACKET - caster wheel, swivel, i5850/i5850 Rear Exit	<a href="#">41</a>
9E9910	BRACKET - CGA board	<a href="#">12</a>

Alphabetical Index

Part No.	Description	Figure No.
8F9686	BRACKET - cover, left front	<a href="#">38</a>
6J7059	BRACKET - cover, top, OCP	<a href="#">7</a>
5K4149	BRACKET - E-Box	<a href="#">12</a>
8F9831	BRACKET - fan, left, bottom	<a href="#">35</a>
6J7953	BRACKET - fan, left, top	<a href="#">35</a>
8F9718	BRACKET - fan, scan module	<a href="#">8</a>
6J7286	BRACKET - gap release, weldment, i5250/i5250V/i5650/i5650V/i5650S	<a href="#">20</a>
6J7755	BRACKET - gap release, weldment, i5850/i5850S/i5850 Rear Exit	<a href="#">20</a>
5K3660	BRACKET - interlock	<a href="#">38</a>
8F7886	BRACKET - LED board, i5850	<a href="#">37</a>
8F8084	BRACKET - main cover, E-Box, top	<a href="#">6</a>
5K5172	BRACKET - main cover, right	<a href="#">6</a>
5K3661	BRACKET - motor	<a href="#">24</a>
7J4035	BRACKET - motor	<a href="#">24</a>
6J7968	BRACKET - motor, ADF	<a href="#">16</a>
9E4903	BRACKET - motor, exit	<a href="#">24</a>
5K4169	BRACKET - motor, exit, i5250/i5250V/i5650/i5650V	<a href="#">32</a>
6J7947	BRACKET - motor, i5850	<a href="#">24</a>
8F7809	BRACKET - mounting, latch	<a href="#">34</a>
6J7721	BRACKET - plate lock, i5850/i5850 Rear Exit	<a href="#">40</a>
8F8089	BRACKET - pod cover, left, back	<a href="#">38</a>
8F9674	BRACKET - pod cover, left, front	<a href="#">38</a>
8F8086	BRACKET - pod cover, right, back	<a href="#">37</a>
8F8360	BRACKET - pod cover, right, center	<a href="#">37</a>
8F8085	BRACKET - pod cover, right, front	<a href="#">37</a>
5K3583	BRACKET - power entry, i5250/i5250V/i5650/i5650V	<a href="#">38</a>
6J7317	BRACKET - power entry, i5850/i5850 Rear Exit	<a href="#">38, 39</a>
6J7484	BRACKET - printer board connector	<a href="#">10, 9</a>
6J7052	BRACKET - SIC board	<a href="#">13</a>
5K3604	BRACKET - spring, left	<a href="#">34</a>
5K3606	BRACKET - spring, right	<a href="#">34</a>
9E8358	BRACKET - support, clutch	<a href="#">16</a>
7J3791	BRACKET - zip chain, power box	<a href="#">42</a>
6J7644	BRACKET - zip chain, upper	<a href="#">42</a>
6J7366	BRACKET AY - gap release, i5850/i5850S/i5850 Rear Exit	<a href="#">20</a>
9E9874	BRAKE - ADF	<a href="#">16</a>
8F8339	BRIDGE - carriage	<a href="#">11</a>
5K3202	BRUSH - static elimination	<a href="#">33</a>
8F9430	BRUSH - static reducer, i5850	<a href="#">31</a>
5K4304	BRUSH AY - static reducer, i5250/i5250V/i5650/i5650V/i5850 Rear Exit	<a href="#">32</a>
499019	BUSHING	<a href="#">37</a>
9E9829	BUTTON - gap release, i5250/i5250V/i5650/i5650V/i5650S	<a href="#">20</a>
7J3500	BUTTON - gap release, i5850/i5850S/i5850 Rear Exit	<a href="#">20</a>
9E9650	CABLE - ethernet, OCP	<a href="#">13, 7</a>
SP5K0208	CALIBRATION TARGET - white, 12 x 12 in., package of 5	<a href="#">43</a>
CP5K3637	CAM AY - left	<a href="#">5</a>
CP5K3636	CAM AY - right	<a href="#">5</a>
CP9E5146	CARRIAGE AY - printer	<a href="#">9</a>

## Alphabetical Index

Part No.	Description	Figure No.
9E4038	CARRIAGE SLIDER	<a href="#">9</a>
5K3078	CARRIER - printer	<a href="#">10</a>
6J7789	CASTER - fixed, i5850/i5850 Rear Exit	<a href="#">41</a>
6J7790	CASTER - swivel, i5850/i5850 Rear Exit	<a href="#">41</a>
8F9971	CENTER CHANNEL	<a href="#">28</a>
9E4906	CHAIN ZIPPER	<a href="#">42</a>
5K2662	CHANNEL - printer	<a href="#">9</a>
4F5026	CLAMP - cable, flat	<a href="#">43</a>
9E8816	CLIP - camera, narrow	<a href="#">8</a>
9E8815	CLIP - camera, wide	<a href="#">8</a>
8F8449	CLIP - EMI	<a href="#">12</a>
8F9673	CLIP - main cover, right	<a href="#">3</a>
5K3352	CLIP - retainer	<a href="#">10</a>
6E6559	CLIP - retainer	<a href="#">19, 20, 23, 9</a>
4H2535	CLIP - <i>Richco</i> , LWS-A-3-01	<a href="#">13</a>
5F1583	CLIP - <i>Richco</i> , LWS-A-4-01	<a href="#">13</a>
5E4943	CLIP - wire	<a href="#">12</a>
5E4420	CLUTCH - reel, EC25LLCCW6MM24	<a href="#">16</a>
8F8035	COVER - actuator, lower	<a href="#">20</a>
5K5366	COVER - back AY, i5650S, i5850S	<a href="#">3</a>
5K3095	COVER - back AY, i5850	<a href="#">3</a>
5K4187	COVER - back exit, lower, i5250/i5250V/i5650/i5650V	<a href="#">3</a>
6J7637	COVER - back, inner, i5850/i5850 Rear Exit	<a href="#">39</a>
8F8014	COVER - back, left, i5250/i5250V/i5650/i5650V	<a href="#">3</a>
8F7997	COVER - back, right, i5250/i5250V/i5650/i5650V	<a href="#">3</a>
8F8000	COVER - base, front, i5250/i5250V/i5650/i5650V	<a href="#">3</a>
9E8543	COVER - camera, pod	<a href="#">8</a>
CP5K5432	COVER - CLAMSHELL AY	<a href="#">5</a>
9E8891	COVER - clip, camera	<a href="#">8</a>
7J3837	COVER - connector board	<a href="#">10</a>
9E9325	COVER - dust	<a href="#">23, 28</a>
5K3005	COVER - electrical, feeder, i5850/i5850S/i5850 Rear Exit	<a href="#">16</a>
5K3006	COVER - electrical, release knob, feeder, i5850/i5850 Rear Exit	<a href="#">16</a>
CP8F9889	COVER - elevator pinion	<a href="#">18</a>
8F8394	COVER - elevator pinion, right	<a href="#">18</a>
6J7694	COVER - filler, side, left, i5650S/i5850S/i5850/i5850 Rear Exit	<a href="#">5</a>
6J7694	COVER - filler, side, left, i5850/i5850 Rear Exit	<a href="#">3</a>
6J7695	COVER - filler, side, right, i5850/i5850 Rear Exit	<a href="#">3</a>
5K4194	COVER - main front - i5850S	<a href="#">5</a>
5K4250	COVER - main top left sorter, i5650S, i5850S	<a href="#">5</a>
8F8001	COVER - main, E-Box top	<a href="#">3, 5</a>
5K1703	COVER - main, E-Box, left	<a href="#">3</a>
5K4188	COVER - main, front, i5250	<a href="#">3</a>
5K4189	COVER - main, front, i5250V	<a href="#">3</a>
5K4190	COVER - main, front, i5650	<a href="#">3</a>
5K4191	COVER - main, front, i5650V	<a href="#">3</a>
5K3111	COVER - main, front, i5850/i5850 Rear Exit	<a href="#">3</a>
8F8015	COVER - main, front, OCP, i5250/i5250V/i5650/i5650V	<a href="#">7</a>

Alphabetical Index

Part No.	Description	Figure No.
6J7696	COVER - main, front, right, i5850/i5850 Rear Exit	<a href="#">7</a>
5K4654	COVER - main, left i5650S	<a href="#">5</a>
5K4531	COVER - main, left i5850S	<a href="#">5</a>
8F8004	COVER - main, left, i5250/i5250V/i5650/i5650V	<a href="#">3</a>
6J7697	COVER - main, left, i5850/i5850 Rear Exit	<a href="#">3</a>
8F7999	COVER - main, right, i5250/i5250V/i5650/i5650V	<a href="#">3</a>
6J7698	COVER - main, right, i5650S/i5850S/i5850/i5850 Rear Exit	<a href="#">5</a>
6J7698	COVER - main, right, i5850/i5850 Rear Exit	<a href="#">3</a>
5K5582	COVER - main, top middle, i5650S/i5850S	<a href="#">3</a>
8F8003	COVER - main, top, i5250/i5250V/i5650/i5650V	<a href="#">3</a>
5K3441	COVER - main, top, i5850/i5850 Rear Exit	<a href="#">3</a>
8F9717	COVER - mount, fan	<a href="#">8</a>
7J3621	COVER - pedestal, inner, i5850/i5850 Rear Exit	<a href="#">39</a>
6J7636	COVER - pedestal, outer, center, i5850/i5850 Rear Exit	<a href="#">39</a>
6J7746	COVER - pedestal, outer, i5850/i5850 Rear Exit	<a href="#">39</a>
7J3660	COVER - pedestal, outer, left, i5850/i5850 Rear Exit	<a href="#">39</a>
7J3661	COVER - pedestal, outer, right	<a href="#">39</a>
5K3491	COVER - pod top left sorter, i5650S, i5850S	<a href="#">5</a>
5K3490	COVER - pod top right sorter, i5650S, i5850S	<a href="#">5</a>
8F8009	COVER - pod, front, center	<a href="#">4</a>
8F8008	COVER - pod, front, left side	<a href="#">4</a>
8F8007	COVER - pod, front, right side	<a href="#">4</a>
8F8006	COVER - pod, left	<a href="#">3, 5</a>
8F8005	COVER - pod, right	<a href="#">3, 5</a>
8F8011	COVER - pod, top left	<a href="#">3</a>
8F8010	COVER - pod, top right	<a href="#">3</a>
8F7996	COVER - printer	<a href="#">3</a>
9E5478	COVER - printer board	<a href="#">9</a>
5K3007	COVER - printer space	<a href="#">4</a>
5K4200	COVER - rear printer AY, i5250/i5250V/i5650/i5650V	<a href="#">3</a>
5K4390	COVER - rear printer AY, i5850/i5850 Rear Exit	<a href="#">3</a>
5K3100	COVER - storage AY, i5850	<a href="#">3</a>
8F9807	COVER - top, right, OCP	<a href="#">7</a>
7J3945	COVER - wheel	<a href="#">39</a>
8F9838	COVER - wire, left	<a href="#">38</a>
8F9839	COVER - wire, right	<a href="#">37</a>
5K3584	COVER AY - diverter, i5250/i5250V/i5650/i5650V	<a href="#">32</a>
5K4251	COVER, main top right sorter, i5650S	<a href="#">5</a>
5K4175	COVER, main top right sorter, i5850S	<a href="#">5</a>
3E9575	DANGLER - i5250/i5250V/i5650/i5650V/i5850 Rear Exit	<a href="#">1</a>
5K4112	DANGLER AY - long, i5250/i5250V/i5650/i5650V/i5850 Rear Exit	<a href="#">1</a>
5K4063	DANGLER AY - long, rear exit	<a href="#">2</a>
5K4111	DANGLER AY - short, i5250/i5250V/i5650/i5650V/i5850 Rear Exit	<a href="#">1</a>
5K4062	DANGLER AY - short, rear exit	<a href="#">2</a>
	DANGLER AY - upper tray, i5650S/i5850S	<a href="#">2</a>
5K4580	DELTA WING - i5250/i5250V/i5650/i5650V/i5650S/i5850S/i5850 Rear Exit	<a href="#">16, 17, 28</a>
5K2519	DELTA WING - i5850	<a href="#">16, 17, 28</a>



## Alphabetical Index

Part No.	Description	Figure No.
CP5K5208	DIVERTER AY - i5250/i5250V/i5650/i5650V/i5850 Rear Exit	<a href="#">32</a>
CP5K5941	DIVERTER AY - upper	<a href="#">27</a>
CP5K3285	DIVERTER IDLER AY	<a href="#">27</a>
9E8872	DOOR - access	<a href="#">18</a>
5K4145	DUCT - fan, E-Box, i5250/i5250V/i5650/i5650V/i5650S/i5850S/i5850 Rear Exit	<a href="#">12, 35</a>
3E9967	DUCT - fan, E-Box, i5850	<a href="#">12, 35</a>
8F8029	DUCT - wiring	<a href="#">34</a>
9E8932	DUST COVER - NFR	<a href="#">23</a>
315220	E-RING - clip, ME-5-ST-PA-S	<a href="#">34</a>
315219	E-RING - M3	<a href="#">20</a>
243359	E-RING - retaining	<a href="#">11, 16, 20, 34, 7</a>
5K3810	ENCLOSURE - back exit, i5850 Rear Exit	<a href="#">3</a>
6E6544	END BLOCK - bearing	<a href="#">23</a>
9E9311	END CAP - LED AY, i5850	<a href="#">14</a>
CP5K5872	EXIT TRAY SUPPORT AY, left	<a href="#">2</a>
CP5K5870	EXIT TRAY SUPPORT AY, right	<a href="#">2</a>
9E9946	EXTENSION - input tray	<a href="#">11</a>
5K2838	FAN - drive motor, SCB	<a href="#">12</a>
5K2840	FAN - power supply, i5250/i5250V/i5650/i5650V/i5650S	<a href="#">35</a>
8F9603	FAN AY - CCD AY	<a href="#">35, 8</a>
5K2838	FAN AY - i5250/i5250V/i5650/i5650V/i5650S/i5850S/i5850 Rear Exit	<a href="#">35</a>
5K4153	FAN AY - i5250/i5250V/i5650/i5650V/i5650S/i5850S/i5850 Rear Exit	<a href="#">12, 35</a>
5K2842	FAN AY - i5850	<a href="#">12, 35</a>
-----	FEED MODULE	<a href="#">28</a>
2F9567	FILTER INLET - AC	<a href="#">21, 22, 39</a>
5E4950	FOAM - camera cover	<a href="#">8</a>
9E9327	FOAM - dust cover	<a href="#">28</a>
8F9719	FOAM - fan, scan module	<a href="#">8</a>
6J7022	FOOT BUMPER	<a href="#">36</a>
2F9565	FUSE - power supply, 6.3 A, i5250/i5250V/i5650/i5650V/i5650S	<a href="#">21</a>
9E5720	GASKET - camera cover, pod, bottom	<a href="#">8</a>
9E8587	GASKET - camera cover, pod, center	<a href="#">8</a>
9E8588	GASKET - camera cover, pod, top	<a href="#">8</a>
8F8441	GASKET - EMI	<a href="#">12</a>
6J7613	GASKET - long, bottom camera cover	<a href="#">8</a>
5K3550	GASKET - short, bottom camera cover, i5250/i5250V/i5650/i5650V/i5850 Rear Exit	<a href="#">8</a>
6J7612	GASKET - short, bottom camera cover, i5850	<a href="#">8</a>
CP5K4455	GASKET - staple	<a href="#">12</a>
8F9434	GEAR - elevator	<a href="#">11</a>
5K3137	GEAR - elevator motor	<a href="#">11</a>
8F8111	GEAR CLUSTER - elevator	<a href="#">11</a>
5K3435	GROMMET - strip	<a href="#">43</a>
5K3284	GUARD - harness, i5850/i5850 Rear Exit	<a href="#">38</a>
6J7969	GUARD - motor, ADF	<a href="#">16</a>
5K3519	HANDLE - latch, i5250/i5250V/i5650/i5650V/i5650S/i5850S/i5850 Rear Exit	<a href="#">34</a>



Alphabetical Index

Part No.	Description	Figure No.
CP8F8430	HANDLE - latch, i5850	<a href="#">34</a>
9E9664	HARNESS - AC inlet to AC power board, i5250/i5250V/i5650/i5650V/i5650S	<a href="#">21</a>
6J7649	HARNESS - AC inlet to AC power, i5850/i5850S/i5850 Rear Exit	<a href="#">22</a>
5K3955	HARNESS - AC power to lambda power supply, i5250/i5250V/i5650/i5650V/i5650S	<a href="#">21</a>
6J7773	HARNESS - AC power to lambda power supply, i5850	<a href="#">22</a>
5K3957	HARNESS - AC power to lambda power supply, i5850S/i5850 Rear Exit	<a href="#">22</a>
7E9439	HARNESS - cable, video	<a href="#">13</a>
5K3154	HARNESS - interim, FWB, i5250/i5250V/i5650/i5650V/i5850 Rear Exit	<a href="#">13</a>
8F7922	HARNESS - interim, FWB, i5850	<a href="#">13</a>
8F8100	HARNESS - interim, LCU internal fan	<a href="#">12</a>
6J7764	HARNESS - interim, p-switch, i5850/i5850 Rear Exit	<a href="#">40</a>
9E9795	HARNESS - IPB to scan power	<a href="#">13</a>
5K3956	HARNESS - lambda, DC output to SIC, i5250/i5250V/i5650/i5650V	<a href="#">13</a>
5K3956	HARNESS - lambda, DC output to SIC, i5250/i5250V/i5650/i5650V/i5650S	<a href="#">22</a>
6J7774	HARNESS - lambda, DC output to SIC, i5850	<a href="#">13, 22</a>
5K3958	HARNESS - lambda, DC output to SIC, i5850 Rear Exit	<a href="#">13</a>
5K3958	HARNESS - lambda, DC output to SIC, i5850S/i5850 Rear Exit	<a href="#">22</a>
5K4010	HARNESS - metal detect, interim, i5250/i5250V/i5650/i5650V/i5650S/i5850S/i5850 Rear Exit	<a href="#">18</a>
5K4209	HARNESS - metal detect, main, i5250/i5250V/i5650/i5650V/i5650S/i5850S/i5850 Rear Exit	<a href="#">18</a>
5K2589	HARNESS - microphone	<a href="#">17</a>
5K2587	HARNESS - patch IDP board to UDDS rx patch AY	<a href="#">17</a>
5K2590	HARNESS - patch sensor AY	<a href="#">17</a>
6J7776	HARNESS - power supply, lift, i5850/i5850S/i5850 Rear Exit	<a href="#">22</a>
5K5289	HARNESS - relay to 2 PKT SORTER	<a href="#">27</a>
8F8099	HARNESS - S0	<a href="#">16</a>
5K4011	HARNESS - SIC board to patch IDP board, i5250/i5250V/i5650/i5650V/i5650S/i5850S/i5850 Rear Exit	<a href="#">17</a>
5K3169	HARNESS - SIC board to patch IDP board, i5850	<a href="#">17</a>
9E9653	HARNESS - SIC, base, elevator	<a href="#">13</a>
5K3271	HARNESS - SIC, base, LED, FWB, i5850	<a href="#">13</a>
5K4008	HARNESS - SIC, base, LED, FWB, staple detect, i5250/i5250V/i5650/i5650V/i5850 Rear Exit	<a href="#">13</a>
5K3778	HARNESS - SIC, interlock, AC, i5650S/i5850S	<a href="#">13</a>
9E9655	HARNESS - SIC, interlock, power supply on/off, i5250/i5250V/i5650/i5650V	<a href="#">13</a>
9E9655	HARNESS - SIC, interlock, power supply on/off, i5250/i5250V/i5650/i5650V/i5650S	<a href="#">42</a>
6J7775	HARNESS - SIC, interlock, power supply on/off, i5850/i5850 Rear Exit	<a href="#">13</a>
6J7775	HARNESS - SIC, interlock, power supply on/off, i5850/i5850S/i5850 Rear Exit	<a href="#">42</a>
9E9660	HARNESS - SIC, LCU, power supply, motor, fans	<a href="#">13</a>
5K2588	HARNESS - SIC, low res, printer	<a href="#">13</a>
7J3928	HARNESS - SIC, motors	<a href="#">13</a>
5K3643	HARNESS - SIC, pod, LED, diverter, i5850 Rear Exit	<a href="#">13</a>

## Alphabetical Index

Part No.	Description	Figure No.
9E9657	HARNESS - SIC, pod, S0 stack, clutch	<a href="#">13</a>
7J3778	HARNESS - SIC, power supply on/off, i5850/i5850S/i5850 Rear Exit	<a href="#">22</a>
9E9656	HARNESS - SIC, UDDS, rx intercon	<a href="#">13</a>
8F9864	HARNESS - SIC, UDDS, tx	<a href="#">13</a>
9E9663	HARNESS - USB, IPB to hub	<a href="#">12</a>
CP8F9873	HARNESS AY - paper sensor	<a href="#">11</a>
CP5K2984	HARNESS AY - paper sensor, reduced sensitivity	<a href="#">11</a>
8F7708	HOLDER - spring	<a href="#">11</a>
8F9628	HOLE FILLER	<a href="#">18</a>
6J7303	HYDRO-LIFT - <i>Stabilus</i> , 150N	<a href="#">37, 38</a>
5K3236	HYDRO-LIFT - <i>Stabilus</i> , i5650S, i5850S	<a href="#">37</a>
5K3717	IDLER PULLEY - 30T, diverter, back, i5250/i5250V/i5650/i5650V/i5850 Rear Exit	<a href="#">32</a>
-----	IMAGING GUIDE - non-ribbed, base	<a href="#">29</a>
-----	IMAGING GUIDE AY - non-ribbed, pod	<a href="#">28</a>
-----	IMAGING GUIDE AY - ribbed, printer	<a href="#">28</a>
5F7189	INK CARTRIDGE - black	<a href="#">9</a>
7J3929	INPUT TRAY AY	<a href="#">11</a>
1E8949	INTERLOCK SWITCH	<a href="#">38</a>
9E9437	KNOB - release, feeder	<a href="#">16</a>
8F8448	LABEL - cartridge replacement	<a href="#">43, 9</a>
8F8416	LABEL - fuse, 6.3 A	<a href="#">43</a>
749508	LABEL - green	<a href="#">43</a>
8F7884	LABEL - modification	<a href="#">43</a>
4C8572	LABEL - warning, high temperature	<a href="#">43</a>
946316	LABEL - warning, moving parts	<a href="#">4, 43</a>
8F8152	LABEL - "Energy Star"	<a href="#">4, 43</a>
287257	LABEL - "ESD GROUND"	<a href="#">43</a>
5K0298	LABEL - "Kofax VRS", i5250V/i5650V	<a href="#">7</a>
8F8153	LABEL - "Perfect Page", i5250/i5650/i5850/i5850 Rear Exit	<a href="#">43, 7</a>
5K4178	LEAD - TRIM	<a href="#">5</a>
CP5K5209	LED AY - i5250/i5250V/i5650/i5650V/i5650S/i5850S/i5850 Rear Exit	<a href="#">15</a>
CP9E8446	LED AY - i5850	<a href="#">14</a>
9E9882	LIFT COLUMN - i5850/i5850 Rear Exit	<a href="#">39</a>
6J7724	LIFT LEVEL - i5850/i5850 Rear Exit	<a href="#">39</a>
6J7718	LIFT PLATE - i5850/i5850 Rear Exit	<a href="#">39</a>
9E8799	LINK - pin, diverter	<a href="#">20</a>
9E9234	LINK - release	<a href="#">34</a>
9E9830	LINK - release, gap, i5250/i5250V/i5650/i5650V/i5650S	<a href="#">20</a>
7J3502	LINK - release, gap, i5850/i5850S/i5850 Rear Exit	<a href="#">20</a>
5K5425	LINK, sorter cover	<a href="#">5</a>
9E9717	LOCK - OCP	<a href="#">7</a>
9E7240	LOCK WASHER - stainless steel, 10 mm x 3	<a href="#">41</a>
5K1520	MAGNET - input tray	<a href="#">4</a>
9E9839	MAGNET HOLDER - input tray	<a href="#">4</a>
TL7102	MAGNETIZER TOOL	<a href="#">43</a>
5K2898	MICROPHONE - mount, center	<a href="#">17</a>
5K2890	MICROPHONE - mount, side	<a href="#">17</a>

Alphabetical Index

Part No.	Description	Figure No.
5K2181	MOTOR AY	<a href="#">27</a>
8F8294	MOTOR AY - elevator	<a href="#">11</a>
5K2181	MOTOR AY - i5250/i5250V/i5650/i5650V/i5850 Rear Exit	<a href="#">32</a>
6J7946	MOTOR AY - transport, ADF	<a href="#">16, 24</a>
5K2174	MOTOR AY - transport, ADF, exit	<a href="#">24</a>
8F9814	MOUNT - baffle, pod, left	<a href="#">30</a>
8F9813	MOUNT - baffle, pod, right	<a href="#">30</a>
6J7314	MOUNT - camera, narrow	<a href="#">8</a>
6J7313	MOUNT - camera, wide	<a href="#">8</a>
5K4598	MOUNT - fan, i5650S/i5850S	<a href="#">35</a>
5K5187	MOUNT - MOTOR	<a href="#">27</a>
9E9563	MOUNT - tray, left	<a href="#">11</a>
9E9564	MOUNT - tray, right	<a href="#">11</a>
8F9751	MOUNT AY - pod baffle, left, i5650S/i5850S	<a href="#">30</a>
8F9750	MOUNT AY - pod baffle, right, i5650S/i5850S	<a href="#">30</a>
5K4166	MOUNT PLATE - diverter, back, stationary, i5250/i5250V/i5650/i5650V/i5850 Rear Exit	<a href="#">32</a>
5K4481	MOUNT PLATE AY	<a href="#">25, 27</a>
5K3701	MOUNT PLATE AY - diverter, back, left, i5250/i5250V/i5650/i5650V/i5850 Rear Exit	<a href="#">32</a>
5K4240	MOUNT PLATE AY - diverter, back, right, i5250/i5250V/i5650/i5650V/i5850 Rear Exit	<a href="#">32</a>
903757	NUT - hex	<a href="#">16</a>
914047	NUT - hex, lock	<a href="#">34</a>
7J0872	NUT - lock, hex, nylon insert, M4	<a href="#">39</a>
5E5028	NUT - lock, with washer, M4	<a href="#">21</a>
7E9684	NUT - <i>Palnut</i> , non-removable	<a href="#">43</a>
9E7238	NUT - stainless steel, M8	<a href="#">41</a>
8F8419	NUT - thin, M8 x 1.0	<a href="#">16</a>
5F1872	NUT - zinc plated, M3 x 0.5	<a href="#">21, 43</a>
6E8946	NYLINER	<a href="#">7</a>
CP9E9705	OCP AY	<a href="#">3, 7</a>
5K4122	OUTPUT TRAY 2 AY, top	<a href="#">2</a>
5K4218	OUTPUT TRAY AY - i5250/i5250V/i5650/i5650V/i5850 Rear Exit	<a href="#">1</a>
8F9765	OUTPUT TRAY AY - i5850	<a href="#">1</a>
5K5810	OUTPUT TRAY AY, bottom	<a href="#">2</a>
5K4161	OUTPUT TRAY AY, rear exit	<a href="#">2</a>
6J7743	OVERLAY - top, center, i5850/i5850 Rear Exit	<a href="#">39</a>
6J7744	OVERLAY - top, left, i5850/i5850 Rear Exit	<a href="#">39</a>
6J7745	OVERLAY - top, right, i5850/i5850 Rear Exit	<a href="#">39</a>
5K4147	PAD - foam	<a href="#">35</a>
7J3972	PIN - 4 x 18, i5850/i5850 Rear Exit	<a href="#">40</a>
8F9822	PIN - backup	<a href="#">29</a>
6J7726	PIN - bottom plate, i5850/i5850 Rear Exit	<a href="#">40</a>
4C8498	PIN - clutch	<a href="#">16</a>
9E9908	PIN - link, latch	<a href="#">34</a>
5K5183	PIN AY - pivot	<a href="#">5</a>
6J7315	PIN MOUNT - actuator arm	<a href="#">20</a>

## Alphabetical Index

Part No.	Description	Figure No.
9E8923	PIN PIVOT	<a href="#">11</a>
8F8158	PIVOT MOUNT - pivot, output tray	<a href="#">8</a>
6J7643	PLATE - bottom, workshelf, i5850/i5850 Rear Exit	<a href="#">40</a>
7J3956	PLATE - holding	<a href="#">39</a>
6J7722	PLATE - lift, i5850/i5850 Rear Exit	<a href="#">39</a>
7J3943	PLATE - lock, i5850/i5850 Rear Exit	<a href="#">40</a>
6J7900	PLATE - motor AY	<a href="#">11</a>
8F9854	PLATE - motor, elevator	<a href="#">11</a>
5K3189	PLATE - NFR SORTER LEFT	<a href="#">25</a>
5K3188	PLATE - NFR SORTER RIGHT	<a href="#">25</a>
6J7737	PLATE - overlay, base, i5850/i5850 Rear Exit	<a href="#">39</a>
6J7285	PLATE - stiffener, weldment	<a href="#">19</a>
5K5179	PLATE AY - pivot, pod, i5650S/i5850S	<a href="#">38</a>
5K5946	PLATE AY, idler	<a href="#">25</a>
CP5K2385	PLATE AY, idler	<a href="#">25</a>
6J7985	PLATE BRACKET AY	<a href="#">39</a>
9E9438	POST - release, feeder	<a href="#">16</a>
6J7760	POWER SUPPLY - AC, i5850	<a href="#">22</a>
5K0708	POWER SUPPLY - AC, i5850S/i5850 Rear Exit	<a href="#">22</a>
5K3659	POWER SUPPLY - lambda, 12 V, i5250/i5250V/i5650/i5650V/i5650S/i5850S/i5850 Rear Exit	<a href="#">21, 22</a>
CP8F9812	POWER SUPPLY - lambda, 12 V, i5850	<a href="#">22</a>
5K3658	POWER SUPPLY - lambda, 24 V, i5250/i5250V/i5650/i5650V/i5650S/i5850S/i5850 Rear Exit	<a href="#">21, 22</a>
CP8F9811	POWER SUPPLY - lambda, 24 V, i5850	<a href="#">22</a>
7J0471	POWER SUPPLY - lambda, 24 V, lift, i5850	<a href="#">22</a>
5K3929	POWER SUPPLY - lambda, 24 V, lift, i5850S/i5850 Rear Exit	<a href="#">22</a>
5K3937	POWER SUPPLY AY - i5250/i5250V/i5650/i5650V/i5650S	<a href="#">21</a>
5K5580	PROP ROD, i5650S, i5850S	<a href="#">43</a>
7J3790	PROTECTION RING - power box	<a href="#">42</a>
9E8865	PULLEY - feeder, 50T	<a href="#">16</a>
5K3683	PULLEY AY - 90T, 23T, i5250/i5250V/i5650/i5650V/i5850 Rear Exit	<a href="#">32</a>
5K3595	PULLEY AY, 63T, 23T	<a href="#">25</a>
8F9997	RAIL - carriage	<a href="#">11</a>
8F9967	RAIL - release, latch	<a href="#">34</a>
8F9870	RATCHET - OCP, side wall	<a href="#">7</a>
9E9964	RELEASE - arm, hook, right	<a href="#">34</a>
CP7J3613	RELOCATION KIT - i5250/i5250V/i5650/i5650V	<a href="#">43</a>
TBD	RELOCATION KIT - i5650S/i5850S	<a href="#">43</a>
CP5K0326	RELOCATION KIT - i5850/i5850 Rear Exit	<a href="#">43</a>
6J7393	RESTRAINT - UDDS	<a href="#">18</a>
8F8421	RETAINER - ADF baffle, center	<a href="#">19</a>
9E9796	RETAINER - bearing	<a href="#">24</a>
8F9720	RETAINER - harness	<a href="#">37, 38</a>
8F7880	RETAINER - harness, SIC	<a href="#">13</a>
5K3558	RETAINER - microphone, i5250/i5250V/i5650/i5650V/i5650S/i5850S/i5850 Rear Exit	<a href="#">17</a>
9E8924	RETAINER - pin pivot	<a href="#">11</a>

Alphabetical Index

Part No.	Description	Figure No.
5K4394	RETAINER - sensor, staple detect, left, i5250/i5250V/i5650/i5650V/i5650S/i5850S/i5850 Rear Exit	<a href="#">18</a>
5K4395	RETAINER - sensor, staple detect, right, i5250/i5250V/i5650/i5650V/i5650S/i5850S/i5850 Rear Exit	<a href="#">18</a>
5K3157	RETAINER - sensors	<a href="#">17</a>
8F9901	RETAINER - UDDS	<a href="#">18</a>
9E9592	RETAINER - wire, paper sensor	<a href="#">11</a>
9E9312	RETAINER CLIPS - wire, motor	<a href="#">43</a>
9E4258	ROD - printer, rear	<a href="#">10</a>
8F9841	ROLLER - spring	<a href="#">34</a>
7J4487	ROLLER - takeaway, NFR	<a href="#">23</a>
5K3061	ROLLER AY - latch	<a href="#">34</a>
5K2397	ROLLER AY, normal force	<a href="#">25</a>
5K4882	ROLLER DRIVE	<a href="#">25</a>
8CK222	RUBBER TIP	<a href="#">36</a>
7J3637	SCAN MODULE - pod, base	<a href="#">8</a>
3J1471	SCREW - cap, hex socket, black, M8 x 20	<a href="#">41</a>
7E7743	SCREW - hex, flange head	<a href="#">2</a>
9E5658	SCREW - leveling foot, M12	<a href="#">41</a>
258876	SCREW - machine, flat head, <i>Phillips</i> drive, M3 x 0.5	<a href="#">42</a>
7J4099	SCREW - machine, hex head, <i>Torx</i> drive, steel, RoHS, M3 x 0.5 x 6	<a href="#">10, 21, 22, 30, 32, 33, 5</a>
9E7241	SCREW - machine, hex socket head, zinc, M10 x 40	<a href="#">39</a>
748360	SCREW - machine, hex washer head, <i>Torx</i> drive, black, M4 x 12	<a href="#">39</a>
981710	SCREW - machine, hex washer head, <i>Torx</i> drive, black, M3 x 0.05 x 8	<a href="#">11, 12, 13, 16, 18, 19, 20, 24, 27, 29, 3, 30, 32, 33, 34, 35, 37, 38, 39, 40, 42, 5, 6, 7, 8, 9</a>
748354	SCREW - machine, hex washer head, <i>Torx</i> drive, black, M3 x 12	<a href="#">34, 36, 40</a>
7E9188	SCREW - machine, hex washer head, <i>Torx</i> drive, black, M3 x 16	<a href="#">12, 35</a>
748353	SCREW - machine, hex washer head, <i>Torx</i> drive, black, M3 x 6	<a href="#">11, 14, 15, 32, 34, 38</a>
748361	SCREW - machine, hex washer head, <i>Torx</i> drive, black, M4 x 25	<a href="#">34</a>
2B4081	SCREW - machine, hex washer head, <i>Torx</i> drive, black, M4 x 8	<a href="#">34</a>
1E3046	SCREW - machine, pan head, <i>Phillips</i> drive, zinc, M4 x 30	<a href="#">19, 20</a>
4C8418	SCREW - machine, pan head, <i>Phillips</i> drive, zinc,	<a href="#">21</a>
273423	SCREW - machine, pan head, <i>Torx</i> drive, zinc, M3 x 10	<a href="#">16</a>
273439	SCREW - machine, pan head, <i>Torx</i> drive, zinc, M3 x 25	<a href="#">35</a>
5F7967	SCREW - machine, pan head, <i>Torx</i> drive, zinc, M3 x 6	<a href="#">12, 13, 14, 15, 18, 28, 30, 31, 34, 9</a>
8F9888	SCREW - motor, elevator	<a href="#">11</a>
5K4585	SCREW - pan head M3 x 8, SUS 304	<a href="#">5</a>
499204	SCREW - self-tapping	<a href="#">10</a>
9E5636	SCREW - self-tapping, pan head, <i>Torx</i> drive, zinc, M2.5 x 8	<a href="#">23, 28</a>
1F8655	SCREW - <i>SEMS</i> , hex flange, <i>Torx</i> drive, nickel, M6 x 18	<a href="#">40</a>
5K3515	SCREW - <i>SEMS</i> , LK Wash. pan head, <i>Torx</i> drive, M3 x 16	<a href="#">27</a>
7E9189	SCREW - <i>sems</i> , <i>Torx</i> drive, hex washer, zinc, black, M4 x16	<a href="#">39</a>
283191	SCREW - set screw, hex socket head, cup point, zinc, M3 x 10	<a href="#">11</a>
3B7089	SCREW - shoulder, slotted head, slotted drive, M3 x 4	<a href="#">29, 9</a>
5E4877	SCREW - tapping, oval washer head, zinc, M4 x 12	<a href="#">11</a>
691944	SCREW - tapping, pan head, <i>Torx</i> drive, zinc, M2 x 4	<a href="#">28, 29</a>

## Alphabetical Index

Part No.	Description	Figure No.
9E8739	SCREW - tapping, pan head, <i>Torx</i> drive, zinc, M2.5 x 5	<a href="#">7</a>
8CK132	SCREW - tapping, pan washer head, <i>Torx</i> drive, zinc, M3 x 12	<a href="#">18, 19, 5</a>
5E4874	SCREW - tapping, round washer head, <i>Torx</i> drive, zinc, M3 x 8	<a href="#">12, 16, 17, 18, 3, 35, 37, 38, 4, 7, 8</a>
8F7791	SCREW - tapping, round washer head, <i>Torx</i> drive, zinc, M3 x 16	<a href="#">16</a>
7J0159	SCREW - tapping, washer head, <i>Torx</i> drive, zinc, M3 x 14	<a href="#">16</a>
5K0167	SCREW - TF, hex flange, <i>Torx</i> drive, M4 x 16	<a href="#">40</a>
9E3014	SCREW - thumb, long	<a href="#">28, 29</a>
9E9777	SCREW - thumb, short	<a href="#">28, 29</a>
9E8927	SENSOR - elevator home	<a href="#">18</a>
9E5352	SENSOR - stack up, with cable	<a href="#">16</a>
5K4414	SENSOR - staple detect, i5250/i5250V/i5650/i5650V/i5650S/i5850S/i5850 Rear Exit	<a href="#">18</a>
-----	SEPARATION ROLLER AY	<a href="#">18</a>
5K2401	SHAFT - dark brown	<a href="#">24</a>
5K2880	SHAFT - feeder release, i5250/i5250V/i5650/i5650V/i5650S/i5850S/i5850 Rear Exit	<a href="#">16</a>
9E9444	SHAFT - feeder release, i5850	<a href="#">16</a>
9E8373	SHAFT - gap release	<a href="#">19</a>
5K2405	SHAFT - green	<a href="#">24</a>
9E9508	SHAFT - latch release	<a href="#">34</a>
6J7727	SHAFT - lift level	<a href="#">39</a>
6J7723	SHAFT - lift, i5850/i5850 Rear Exit	<a href="#">39</a>
5K2404	SHAFT - orange	<a href="#">24</a>
9E9711	SHAFT - pivot, bezel	<a href="#">7</a>
8F8296	SHAFT - printer, locator	<a href="#">9</a>
5K3085	SHAFT - printer, rear	<a href="#">10</a>
5K3663	SHAFT - white	<a href="#">24</a>
5K2467	SHAFT - white, i5850	<a href="#">24</a>
5K2465	SHAFT - yellow	<a href="#">24</a>
5K2466	SHAFT AY - corrugated	<a href="#">24</a>
5K3134	SHAFT AY - cross	<a href="#">11</a>
5K5260	SHAFT AY - DRIVE EXIT SORTER	<a href="#">25</a>
5K2468	SHAFT AY - drive, 10G, light brown	<a href="#">24</a>
5K4275	SHAFT AY - drive, feeder, i5250/i5250V/i5650/i5650V/i5650S/i5850S/i5850 Rear Exit	<a href="#">16</a>
5K2877	SHAFT AY - drive, feeder, i5850	<a href="#">16</a>
5K2396	SHAFT AY - NFR	<a href="#">25</a>
5K2396	SHAFT AY - pod	<a href="#">23</a>
CP5K2464	SHAFT AY - set drive, i5850	<a href="#">24</a>
5K2469	SHAFT AY - takeaway	<a href="#">24</a>
5K3194	SHAFT AY, NFR diverter	<a href="#">25</a>
----	SHAFT AY- drive (Included with Clamshell)	<a href="#">25</a>
----	SHAFT AY- drive pivot, sorter (Included with Clamshell)	<a href="#">25</a>
5K4044	SHAFT END - release, feeder, i5250/i5250V/i5650/i5650V/i5650S/i5850S/i5850 Rear Exit	<a href="#">16</a>
9E9440	SHAFT END - release, feeder, i5850	<a href="#">16</a>
5K5266	SHIELD - protective	<a href="#">27</a>
8F8345	SHIM - rail, carriage	<a href="#">11</a>



## Alphabetical Index

Part No.	Description	Figure No.
6J7640	SKIRT - back, i5850/i5850 Rear Exit	<a href="#">39</a>
6J7739	SKIRT - front, i5850/i5850 Rear Exit	<a href="#">39</a>
6J7740	SKIRT - left, i5850/i5850 Rear Exit	<a href="#">39</a>
6J7741	SKIRT - right, i5850/i5850 Rear Exit	<a href="#">39</a>
7J4136	SKIRT - workshelf, i5850/i5850 Rear Exit	<a href="#">40</a>
8F9892	SLEEVE - shielding, braided, i5850	<a href="#">14</a>
6J7192	SNAP - tray, output	<a href="#">3</a>
CP5K5745	SORTER CLAMSHELL AY	<a href="#">26</a>
8F8420	SPACER - adjustable	<a href="#">16</a>
5K2518	SPACER - UDDS	<a href="#">16, 17</a>
5K5426	SPACER LINK	<a href="#">5</a>
324598	SPACERS - SIC board	<a href="#">43</a>
5K5020	SPEAKER - i5250/i5250V/i5650/i5650V/i5850 Rear Exit	<a href="#">7</a>
9E9585	SPEAKER - i5850	<a href="#">7</a>
9E5642	SPIRAL WRAP	<a href="#">43</a>
9E9441	SPRING - C0360-038-2500-M	<a href="#">16</a>
790741	SPRING - compression	<a href="#">29, 7, 9</a>
8F9764	SPRING - compression, background AY	<a href="#">28, 29</a>
3C9239	SPRING - compression, end block	<a href="#">23</a>
573450	SPRING - compression, latch	<a href="#">7</a>
9E9838	SPRING - detent, gap release	<a href="#">19, 20</a>
7J3841	SPRING - exit roller, NFR	<a href="#">23</a>
3E9567	SPRING - extension	<a href="#">19</a>
9E9251	SPRING - extension, Lee, LEM075CD-08-M	<a href="#">34</a>
8F7710	SPRING - LC 028BD 11M	<a href="#">11</a>
3B2037	SPRING - LC-029C-10-MW	<a href="#">16</a>
7E0733	SPRING - Lee, EIM030D 08 S	<a href="#">19, 20</a>
4B4483	STANDOFF - clinch, M3 x 18	<a href="#">12, 35</a>
5F8689	STANDOFF - hex head, M3 x 14	<a href="#">21</a>
9E9935	STOP - latch, left	<a href="#">34</a>
9E9932	STOP - latch, right	<a href="#">34</a>
CP9E3357	STRIP - baffle, backup, black	<a href="#">29</a>
5K4146	STRIP - foam	<a href="#">35</a>
8F9914	STRIP - printer backup	<a href="#">9</a>
8F8424	STRIP - side guide, de-latch	<a href="#">4</a>
6J7429	STRIP FILLER	<a href="#">11</a>
7J4139	SUPPORT - lift switch, i5850/i5850 Rear Exit	<a href="#">40</a>
7J4138	SUPPORT PILLAR - top workshelf, i5850/i5850 Rear Exit	<a href="#">40</a>
7J4135	SUPPORT PLATE - top workshelf, i5850/i5850 Rear Exit	<a href="#">40</a>
9E9649	SWITCH - power LED, OCP	<a href="#">13, 7</a>
5F4822	SWITCH - table, up/down, i5850/i5850 Rear Exit	<a href="#">40</a>
CP7J3603	TAIL STOP ADAPTER	<a href="#">1</a>
CP5K4219	TAIL STOP AY	<a href="#">1</a>
5K4404	TAIL STOP AY - upper and rear exit	<a href="#">2</a>
5K4579	TAPE - foil, staple detect, left, i5250/i5250V/i5650/i5650V/i5650S/ i5850S/i5850 Rear Exit	<a href="#">18</a>
9E3266	TAPE - reflective	<a href="#">18</a>
244825	TIE-WRAP - push mount, winged, 11 cm (4.3 in.)	<a href="#">12, 43</a>

## Alphabetical Index

Part No.	Description	Figure No.
4E1567	TIE-WRAP - standard, 10 cm (3.9 in.), black	<a href="#">43</a>
182590	TIE-WRAP - standard, 10 cm (3.9 in.), white	<a href="#">43</a>
-----	TIRE	<a href="#">28</a>
7J3653	TRANSPORT ROLLERS KIT - pod and base, NCR paper	<a href="#">23, 24</a>
9E9747	TUBE - clutch, stop	<a href="#">16</a>
9E9746	TUBE - gap release	<a href="#">19</a>
5K2323	UDDS RX PATCH AY	<a href="#">16, 17</a>
5E4889	WASHER	<a href="#">7</a>
243236	WASHER - 0.255 x 0.352 x 0.060	<a href="#">16</a>
9E9778	WASHER - crescent, <i>Seastrom</i> 5804-265	<a href="#">16</a>
9E9779	WASHER - flat	<a href="#">16</a>
8C0877	WASHER - flat, F3, 8 mm	<a href="#">34</a>
149728	WASHER - <i>Zytel</i> , 0.015 x 0.390 x 1.0	<a href="#">16</a>
7J3950	WHEEL AY - fip	<a href="#">39</a>
6J7854	WIRE CHANNEL AY - i5850/i5850 Rear Exit	<a href="#">39</a>
244971	WIRE SADDLE	<a href="#">43</a>
6J7692	WORKSHELF - top, i5850/i5850 Rear Exit	<a href="#">40</a>



# Section 4: Publication History

---

Publication Date	Publication No.	Changed Pages	Notes
24MAR16	IP3018-1	---	New; moved parts for the i5850 SCANNER from IP9718-1, and added parts for new SCANNERS.
12JUL16	IP3018-1	Several	Added new parts for the SORTER Model SCANNERS.
05AUG16	IP3018-1	Several	Updated parts for the SORTER Model SCANNERS.