

ILLUSTRATED PARTS LIST

for the

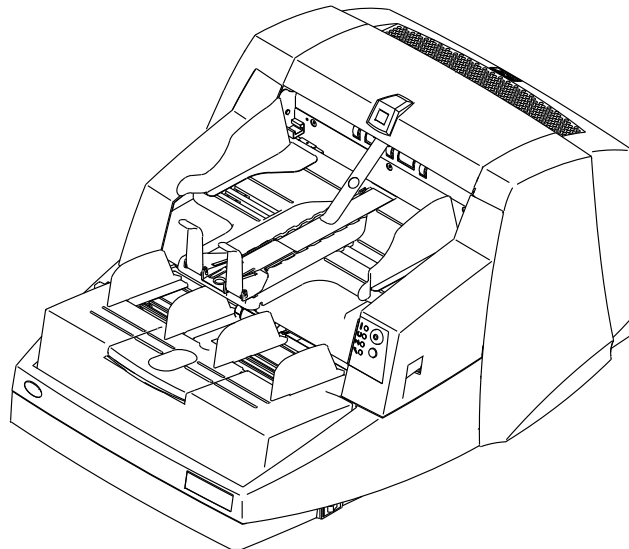
Kodak i600 SERIES SCANNERS

Service Codes: 7655, 3943, 4166, 4168



Important

Qualified service personnel must repair this equipment.



PLEASE NOTE

The information contained herein is based on the experience and knowledge relating to the subject matter gained by Kodak Alaris prior to publication. Nothing contained herein shall be construed as conferring by implication, estoppel, or otherwise, any license under any patent, trade secret, trademark or any existing copyright, except as specified herein.

Kodak Alaris reserves the right to change this information without notice, and makes no warranty, express or implied, with respect to this information. Kodak Alaris shall not be liable for any loss or damage, including consequential or special damages, resulting from any use of this information, even if loss or damage is caused by negligence or other fault by Kodak Alaris.

Kodak Alaris is the tradename for 111616 Opco (Delaware) Inc.

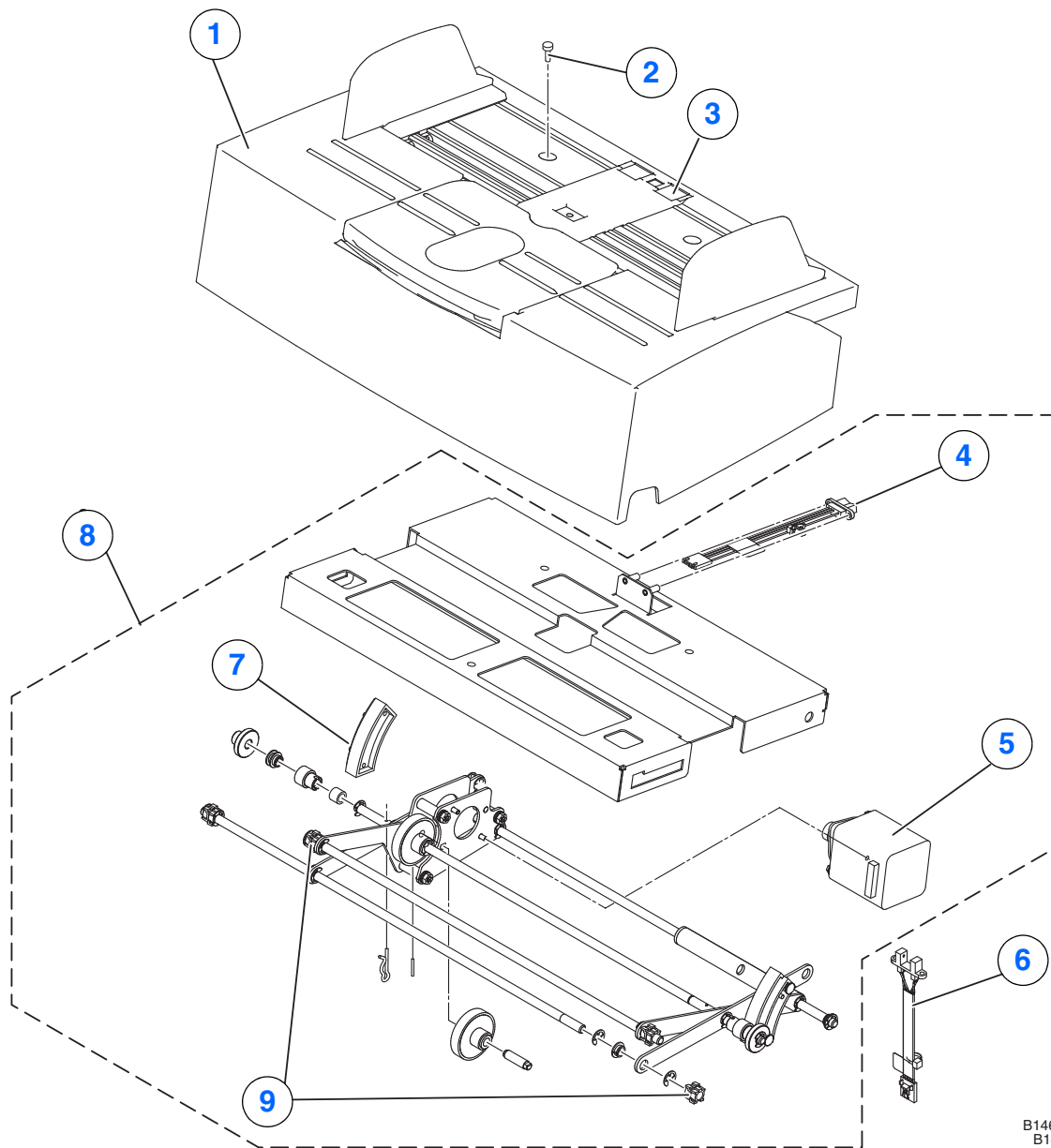


This equipment includes parts and assemblies sensitive to damage from electrostatic discharge. Use caution to prevent damage during all service procedures.

Table of Contents

Description	Page
Illustrated Parts List	3
INPUT TRAY/ELEVATOR AY	3
AUTOMATIC DOCUMENT FEEDER (ADF) AY - Upper	5
AUTOMATIC DOCUMENT FEEDER AY - Lower	7
BAFFLE AY	9
TRANSPORT AY, 1 of 3	10
TRANSPORT AY, 2 of 3	12
TRANSPORT AY, 3 of 3	14
CAMERA	16
LAMPS	17
COVERS and PANELS	19
OUTPUT TRAY AY	21
OPERATOR CONTROL PANEL (OCP) AY	23
LATCH AY	24
FRAME AY	26
Miscellaneous Parts	28
ELECTRICAL BOX	30
CABLES and HARNESSSES	32
REMOVAL KIT	34
Numerical Index	35
Alphabetical Index	41

Section 1: Illustrated Parts List

Figure 1 INPUT TRAY/ELEVATOR AY

02OCT14

IP3943-1

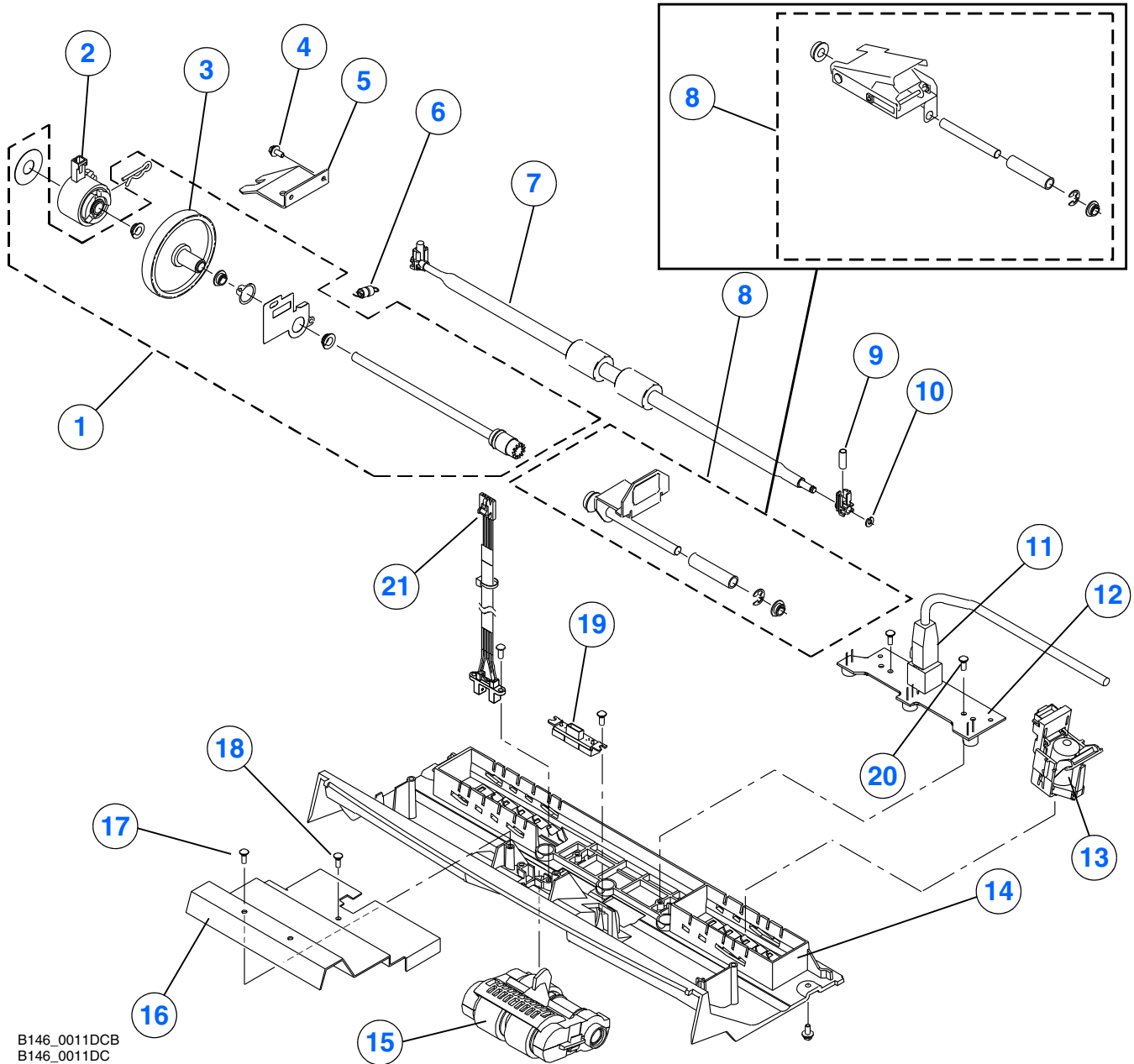
Page

4 of 47

Figure 1 INPUT TRAY/ELEVATOR AY

Item	Part No.	Description	Quantity	Notes
1	9E7557	TRAY - elevator	1	
2	5E4877	SCREW	3	
3	3E9962	PADS - cork	2	
4	3E9565	SENSOR - paper present	1	
5	6E6596	MOTOR - elevator	1	
6	3E9477	SENSOR	1	
7	6E6347	GEAR	2	
8	9E3358	ELEVATOR AY - complete	1	
9	6E6465	SLIDE	2	

Figure 2 AUTOMATIC DOCUMENT FEEDER (ADF) AY - Upper



B146_0011DCB
B146_0011DC

Figure 2 AUTOMATIC DOCUMENT FEEDR (ADF) AY - Upper

Item	Part No.	Description	Quantity	Notes
1	9E3991	GEAR AY	1	
2	5E4420	CLUTCH	1	
3	6E6510	GEAR - 74 t	1	
4	981710	SCREW - M3 x 8	5	
5	6E6381	STOP	1	
6	383976	SPRING	1	
7	3E9579	SHAFT - NFR, ADF	1	
8	9E3990	SHAFT AY	1	
	9E4228	SHAFT AY	1	
9	3C9467	SPRING	2	
10	6E6559	CLIP - retainer	2	
11	3E9197	CABLE - UDDS	1	
12	9E3308	BOARD - UDDS, upper	1	
13	5E4690	PRINTER AY	1	
14	9E3730	DELTA WING	1	
15	6E6621	FEED MODULE	1	
	3E9985	FEED MODULE - lightweight paper	1	
16	9E3113	COVER - electrical	1	
17	5E4874	SCREW	2	
18	981710	SCREW - M3 x 8	1	
19	9E3307	SENSOR - S0	1	
20	5E4874	SCREW	2	
21	9E3489	SENSOR - stack-up	1	

Figure 3 AUTOMATIC DOCUMENT FEEDER AY - Lower

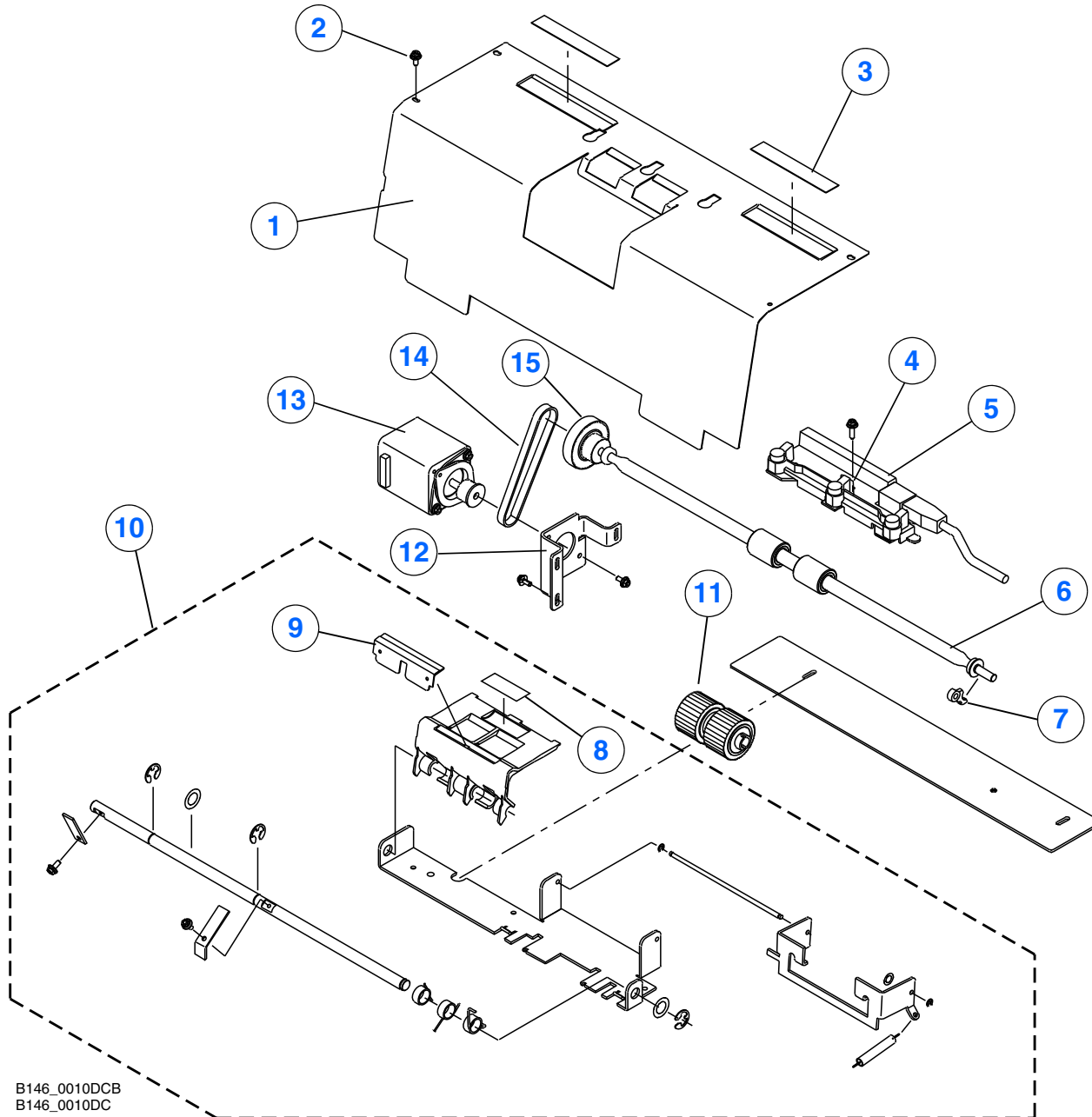


Figure 3 AUTOMATIC DOCUMENT FEEDER AY - Lower

Item	Part No.	Description	Quantity	Notes
1	9E3129	BAFFLE - lower	1	
2	273422	SCREW - M3 x 6	14	
3	5E4885	INK BLOTTER	2	
4	748354	SCREW	1	
5	9E3303	BOARD - UDDS, lower	1	
6	6E6514	SHAFT AY - takeaway	1	
7	6E6540	CLIP - bearing	1	
8	9E3266	TAPE - reflective	1	
9	9E3160	PRE-SEPARATOR	1	
10	9E3305	CARRIAGE AY	1	
11	3E9971	SEPARATOR ROLLER AY	1	
12	6E6629	BRACKET	1	
13	6E6377	MOTOR AY	1	
14	6E6555	BELT - timing	1	
15	6E6479	GEAR	1	

Figure 4 BAFFLE AY

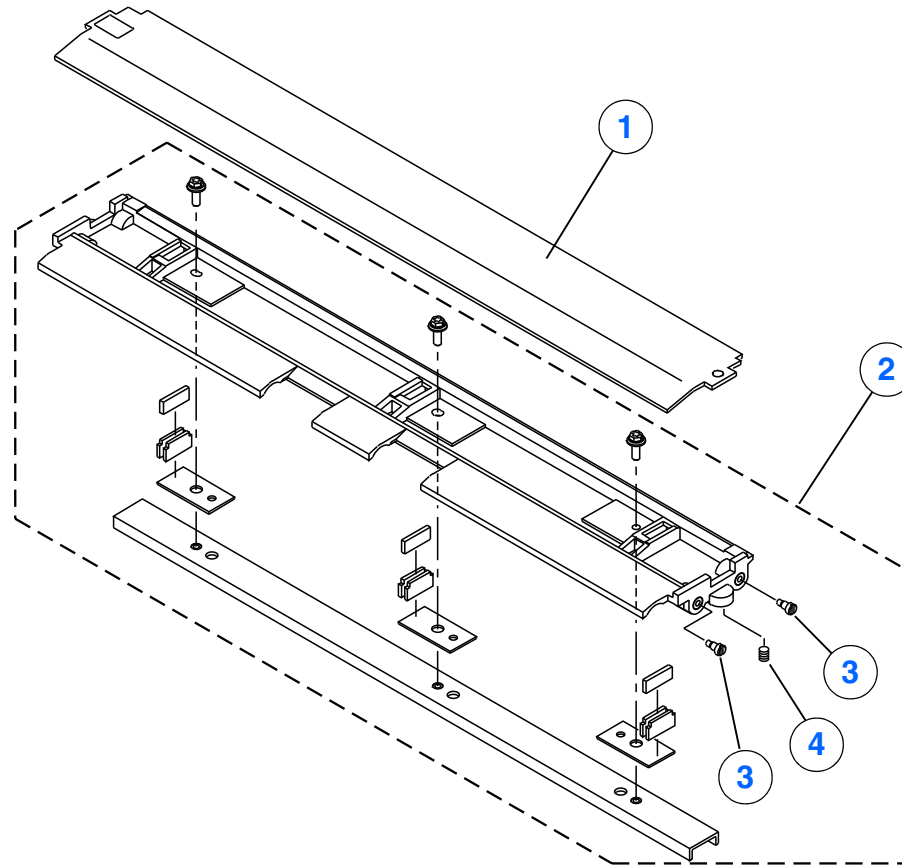
B146_0017HCB
B146_0017HC

Figure 4 BAFFLE AY

Item	Part No.	Description	Quantity	Notes
1	9E3357	STRIP - black, backup	1	
	3E9454	STRIP - white, backup	1	
2	9E3993	BAFFLE AY	1	
3	3B7089	SCREW	4	
4	790741	SPRING	2	

Figure 5 TRANSPORT AY, 1 of 3

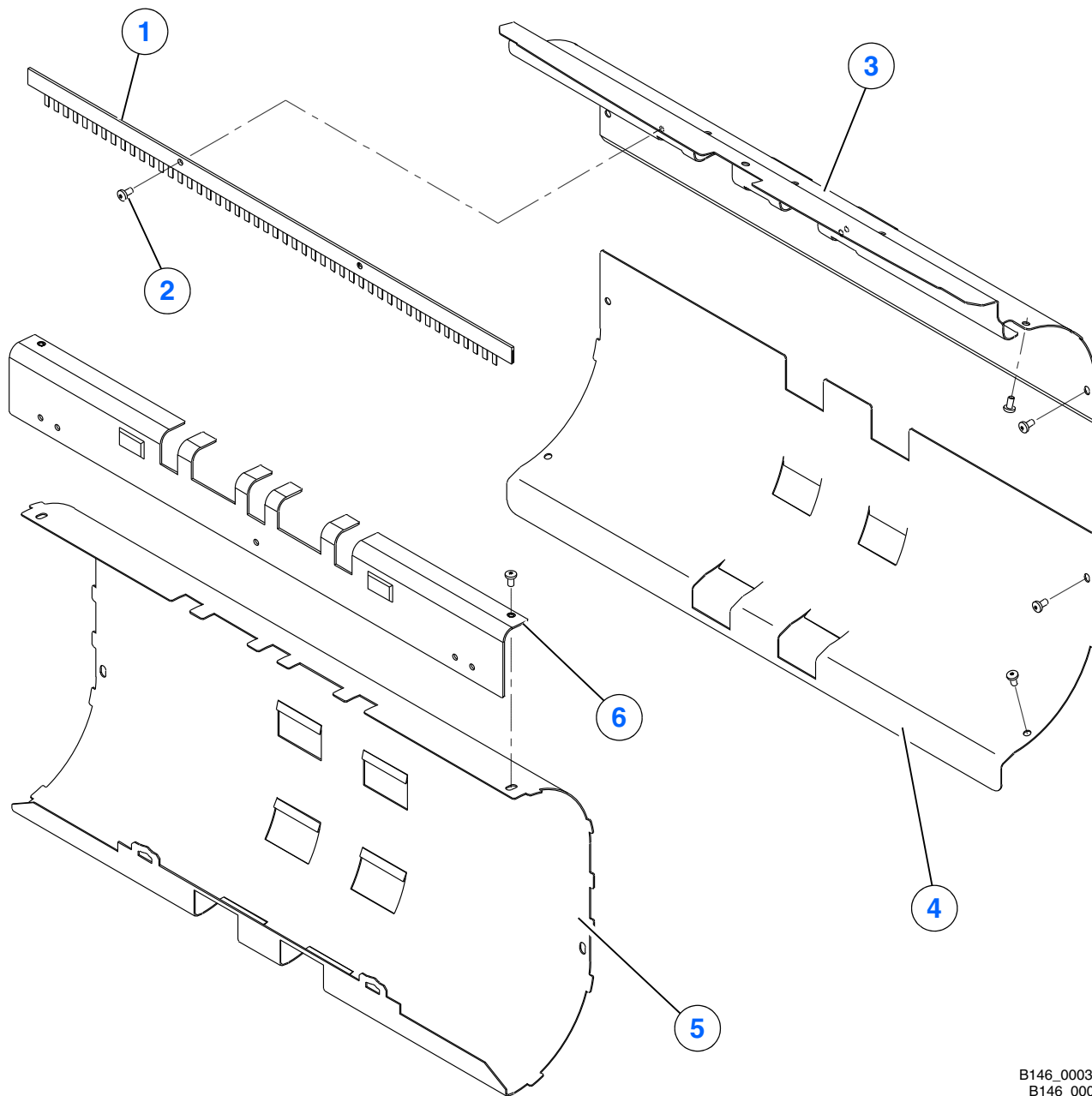
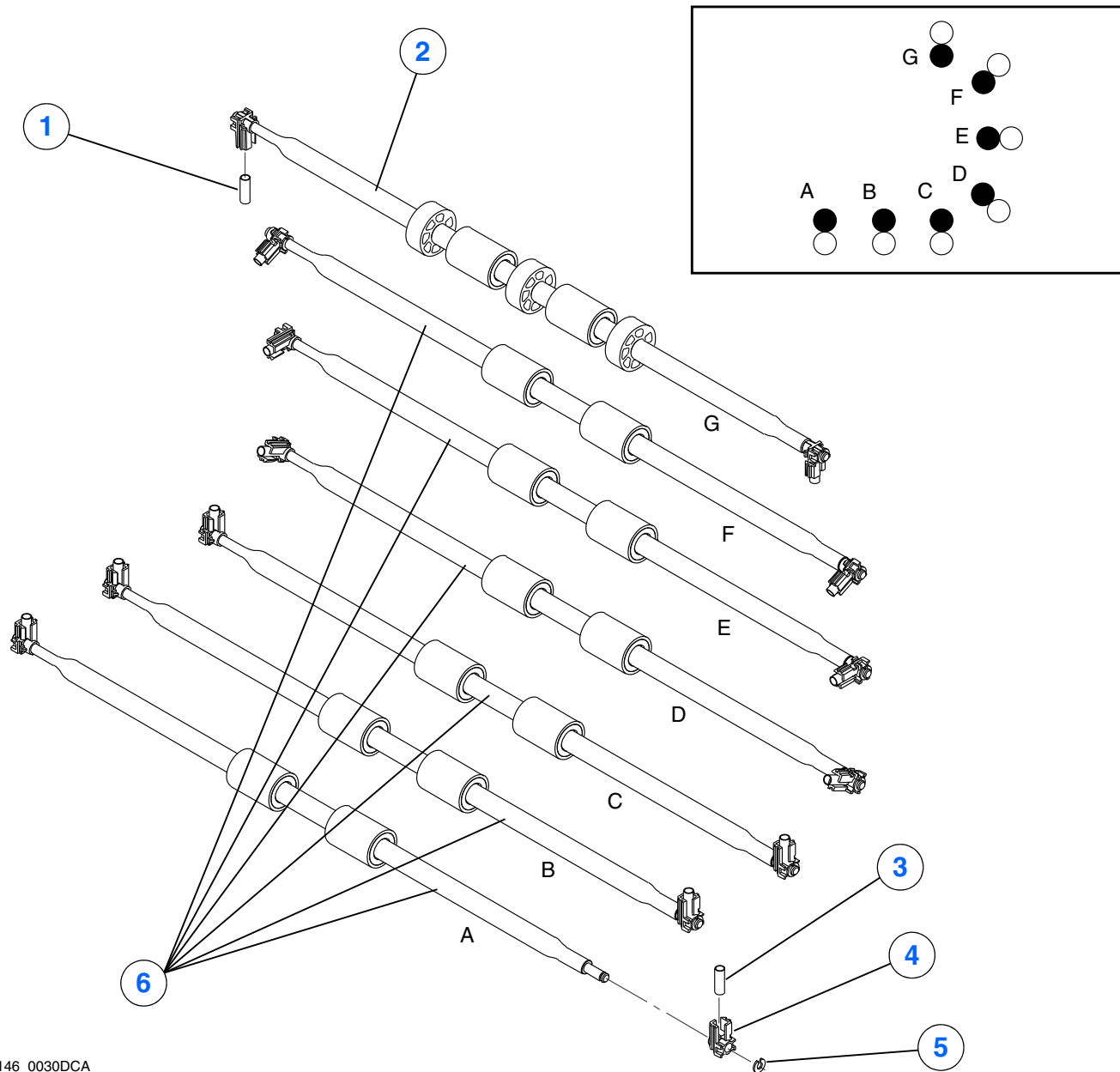


Figure 5 TRANSPORT AY, 1 of 3

Item	Part No.	Description	Quantity	Notes
1	9E3053	BRUSH - static	1	
2	273422	SCREW - M3 x 6	12	
3	9E3048	BAFFLE - top rear	1	
4	9E3047	BAFFLE - lower rear	1	
5	9E3049	BAFFLE - POD, rear	1	
6	9E3050	BAFFLE - POD, support	1	

Figure 6 TRANSPORT AY, 2 of 3

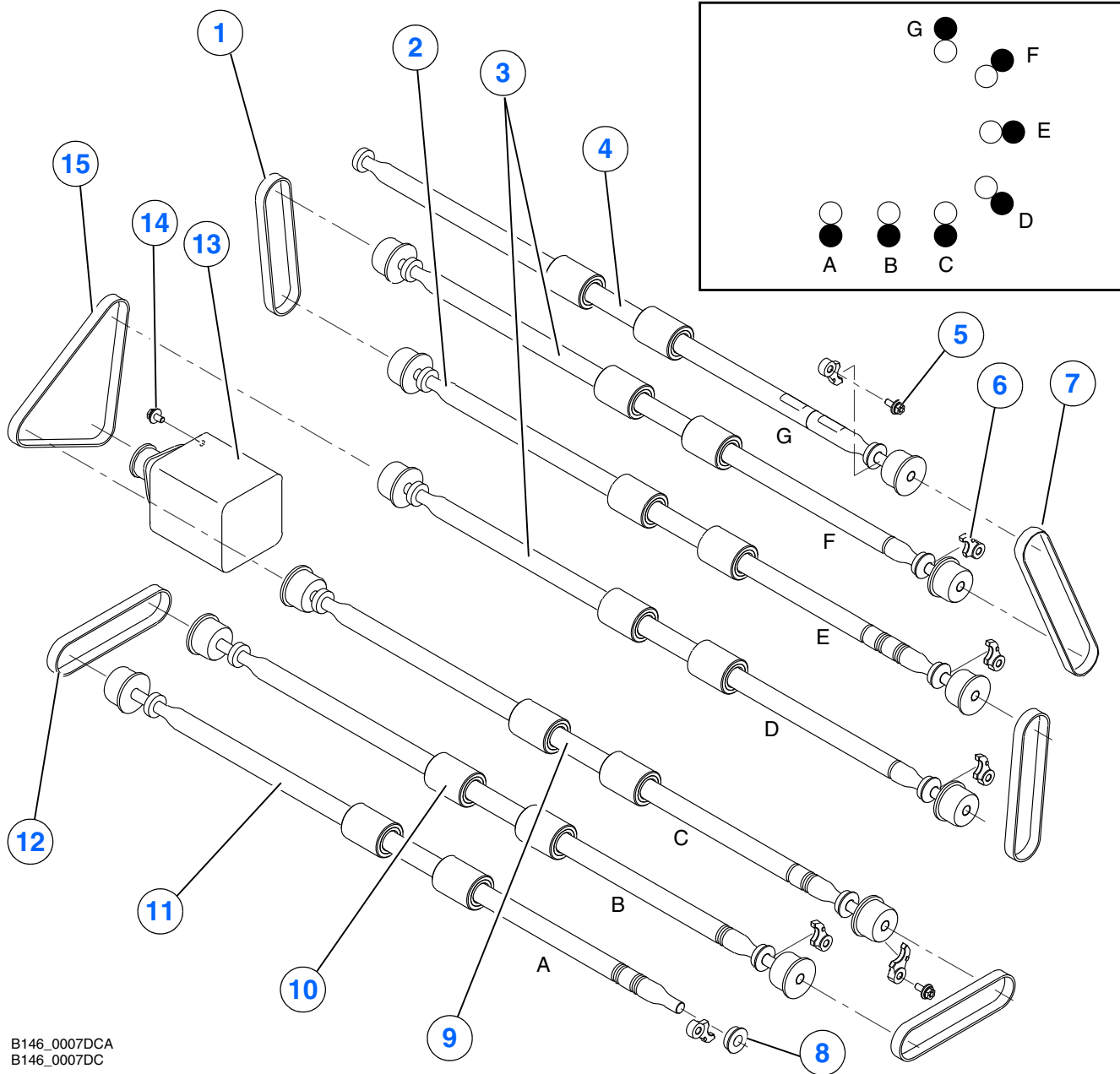


B146_0030DCA
B146_0030DC

Figure 6 TRANSPORT AY, 2 of 3

Item	Part No.	Description	Quantity	Notes
1	3C9467	SPRING	2	
2	3E9578	SHAFT AY - exit	1	
3	3C9239	SPRING	12	
4	6E6544	END BLOCK - bearing	14	
5	6E6559	CLIP - retainer	7	
6	3E9577	SHAFT	6	

Figure 7 TRANSPORT AY, 3 of 3



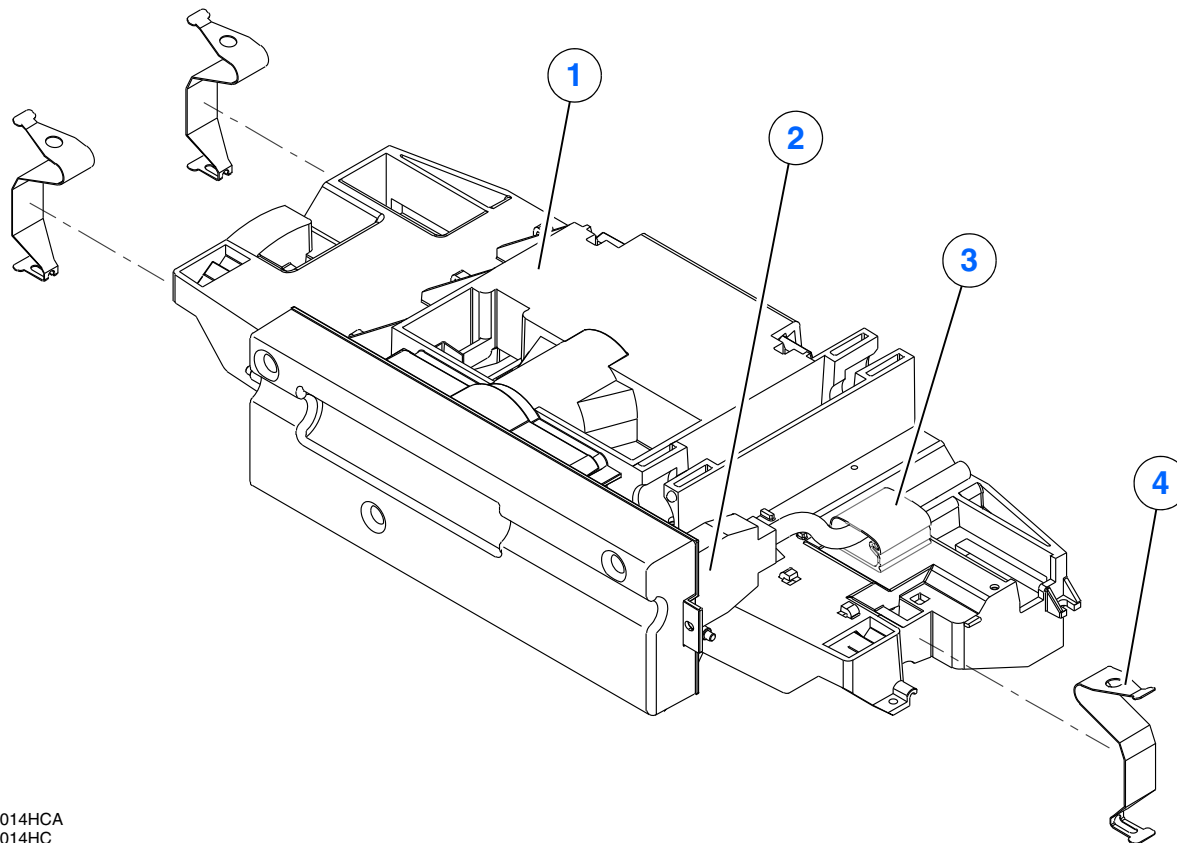
B146_0007DCA
B146_0007DC

Figure 7 TRANSPORT AY, 3 of 3

Item	Part No.	Description	Quantity	Notes
1	6E6554	BELT - timing	2	
2	6E6539	SHAFT	1	green
3	6E6536	SHAFT	2	orange
4	6E6541	SHAFT	1	blue
5	981710	SCREW - M3 x 8	2	
6	6E6540	CLIP - bearing	7	
7	9E3094	BELT - timing	1	
8	5E4878	BEARING	7	
9	3E9470	SHAFT	1	black
10	6E6542	SHAFT	1	white
11	6E6624	SHAFT	1	yellow
12	9E3092	BELT - timing	2	
13	6E6377	MOTOR AY	1	
14	748353	SCREW - hex, M3 x 6	2	
15	9E3091	BELT - timing	1	

02OCT14
IP3943-1
Page
16 of 47

Figure 8 CAMERA



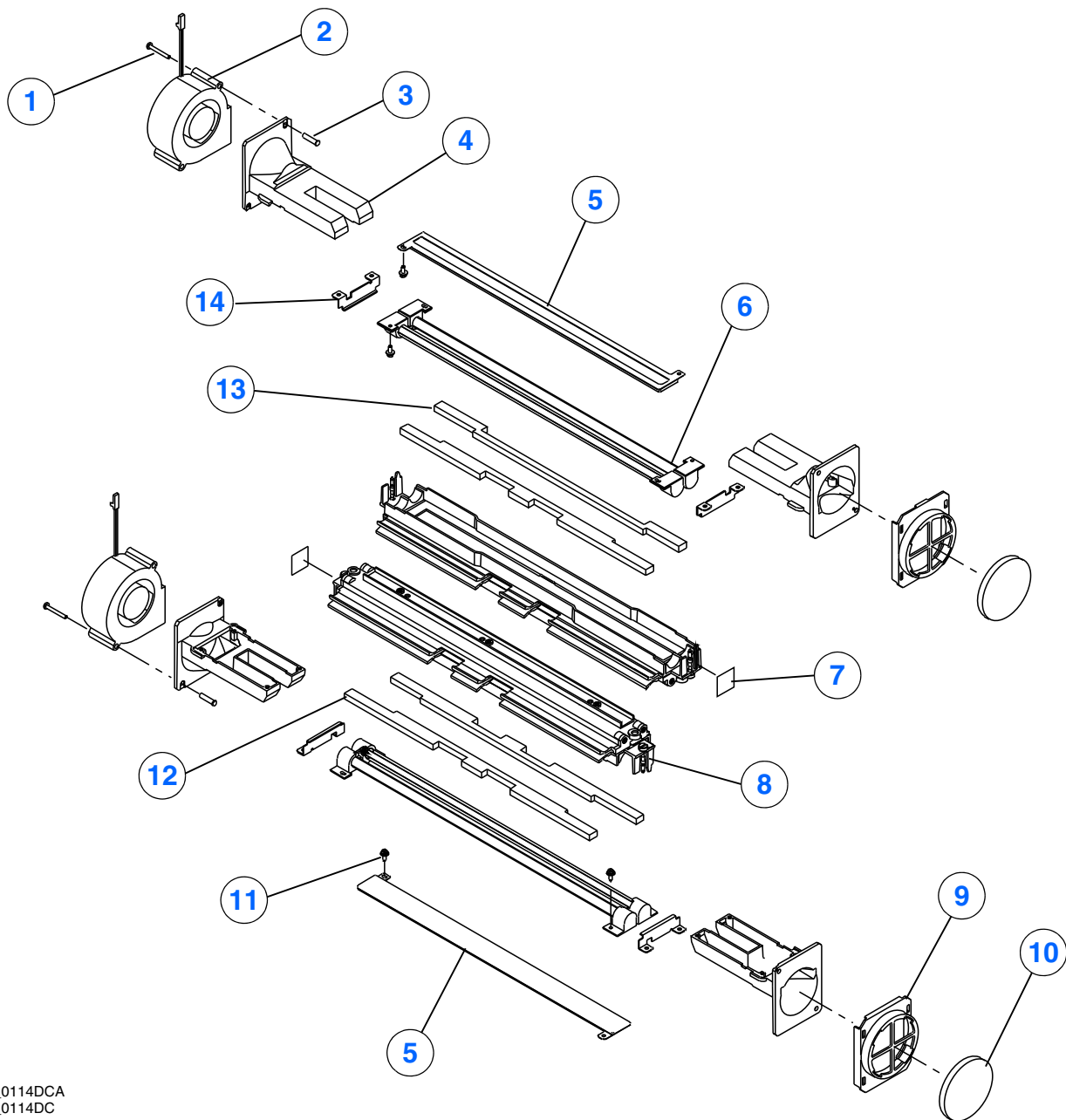
B146_0014HCA
B146_0014HC

Figure 8 CAMERA

Item	Part No.	Description	Quantity	Notes
1	9E3304	SCAN MODULE	2	
2	7E9439	CABLE - video	2	
3	2E8538	CLIP - video cable	2	
4	6E6561	CLIP - hold down	6	

02OCT14
IP3943-1
Page
17 of 47

Figure 9 LAMPS



B146_0114DCA
B146_0114DC

Figure 9 LAMPS

Item	Part No.	Description	Quantity	Notes
1	273439	SCREW	2	
2	6E6652	FAN	2	
3	4B4483	STANDOFF - M3 x 18	4	
4	9E3015	DUCT	4	
5	9E3295	DUST GLASS AY	2	
6	3E9099	LAMP	4	
7	9E3733	PATCH - white	2	
8	9E3014	THUMBSCREW	2	
9	6E6687	HOLDER - filter	2	
10	6E6667	FILTER	2	
11	981710	SCREW - M3 x 8	12	
12	9E3207	SEAL - baffle, image	3	
13	6E6645	SEAL - baffle, image	1	
14	3E9450	CLIP - wire	4	

Figure 10 COVERS and PANELS

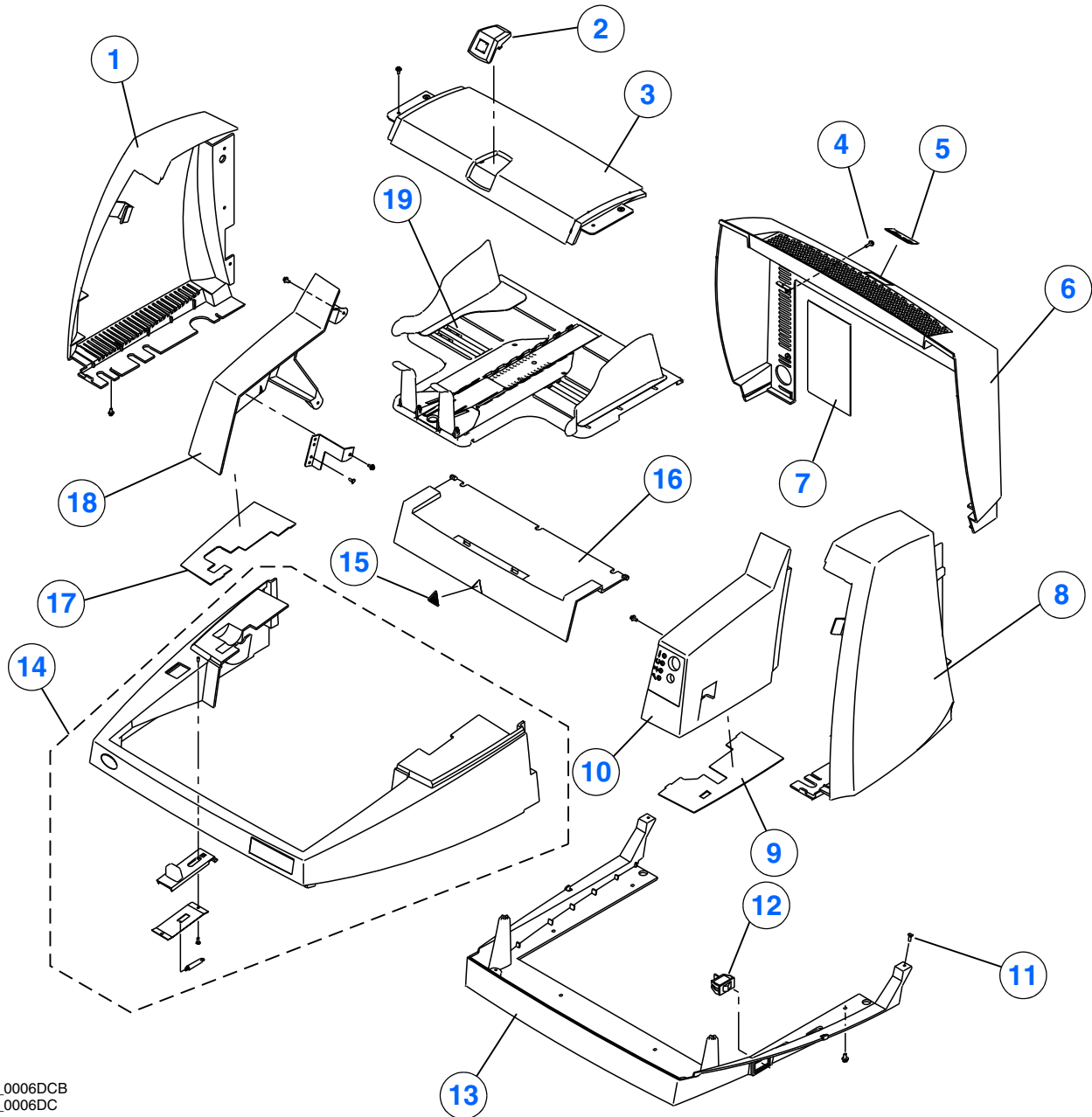
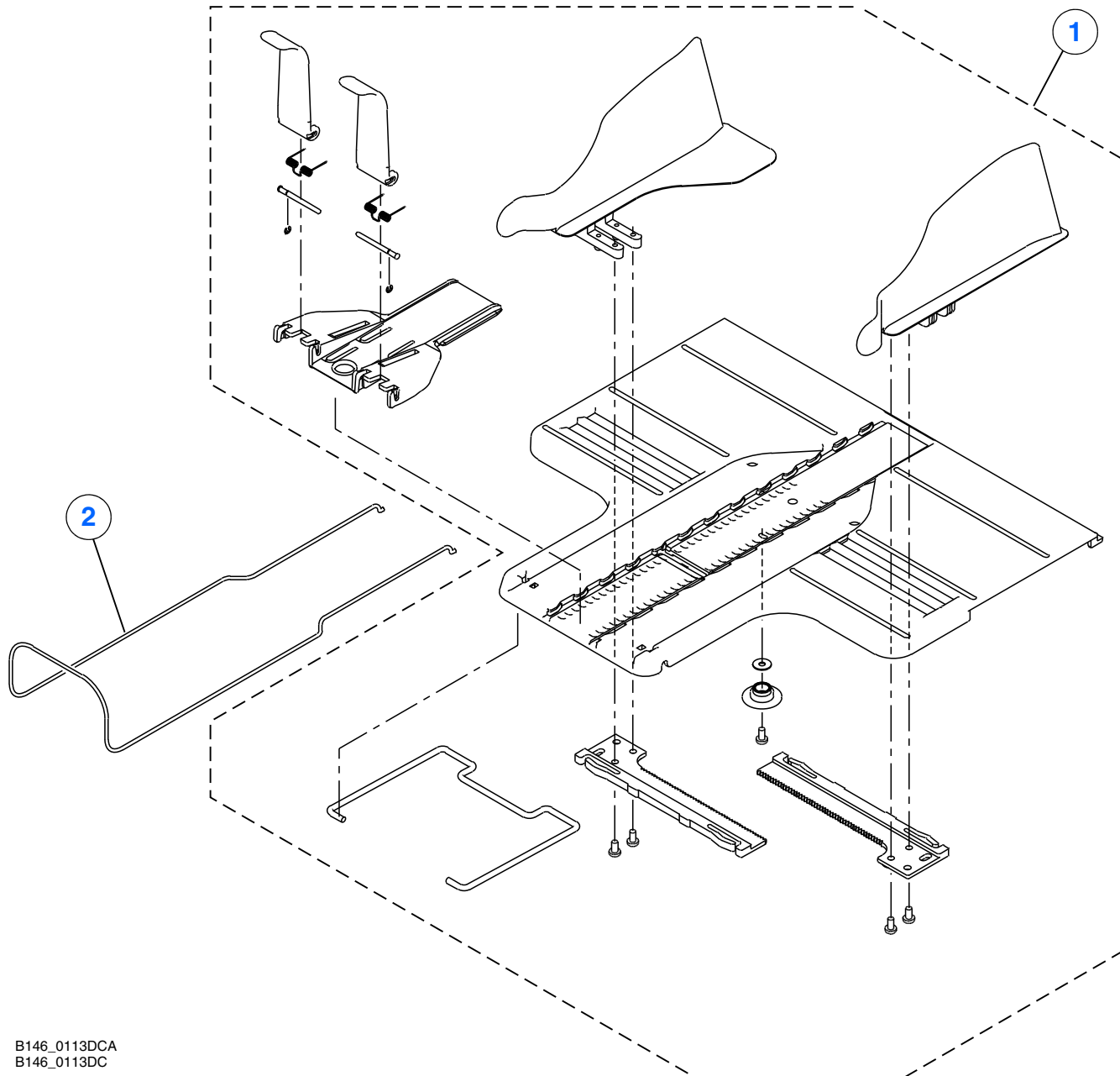


Figure 10 COVERS and PANELS

Item	Part No.	Description	Quantity	Notes
1	9E3126	COVER - left	1	
2	6E6285	COVER AY	1	
3	6E6525	COVER - top	1	
4	748354	SCREW	4	
5	1C8149	LABEL - K-number	1	
6	6E6532	COVER - back	1	
7	3J2560	DATA PLATE - U.S.	1	
	9E3204	DATA PLATE - China	1	
8	9E3127	COVER - right	1	
9	9E3056	COVER - bottom, right	1	
10	9E3131	COVER - output, right	1	
11	5E4874	SCREW	10	
12	9B6777	SWITCH	1	
13	6E6531	TRAY - base, input	1	
14	9E3163	COVER - input tray		
15	946316	LABEL - UL, warning	1	
16	6E6594	COVER - printer	1	
17	9E3055	COVER - bottom, left	1	
18	9E3130	COVER - output, left	1	
19	6E6590	OUTPUT TRAY AY	1	

02OCT14
IP3943-1
Page
21 of 47

Figure 11 OUTPUT TRAY AY

B146_0113DCA
B146_0113DC

Figure 11 OUTPUT TRAY AY

Item	Part No.	Description	Quantity	Notes
1	6E6590	OUTPUT TRAY AY	1	
2	5E4754	CATCH BAIL - 26 in.	1	
	9E3216	CATCH BAIL - 34 in.	1	

Figure 12 OPERATOR CONTROL PANEL (OCP) AY

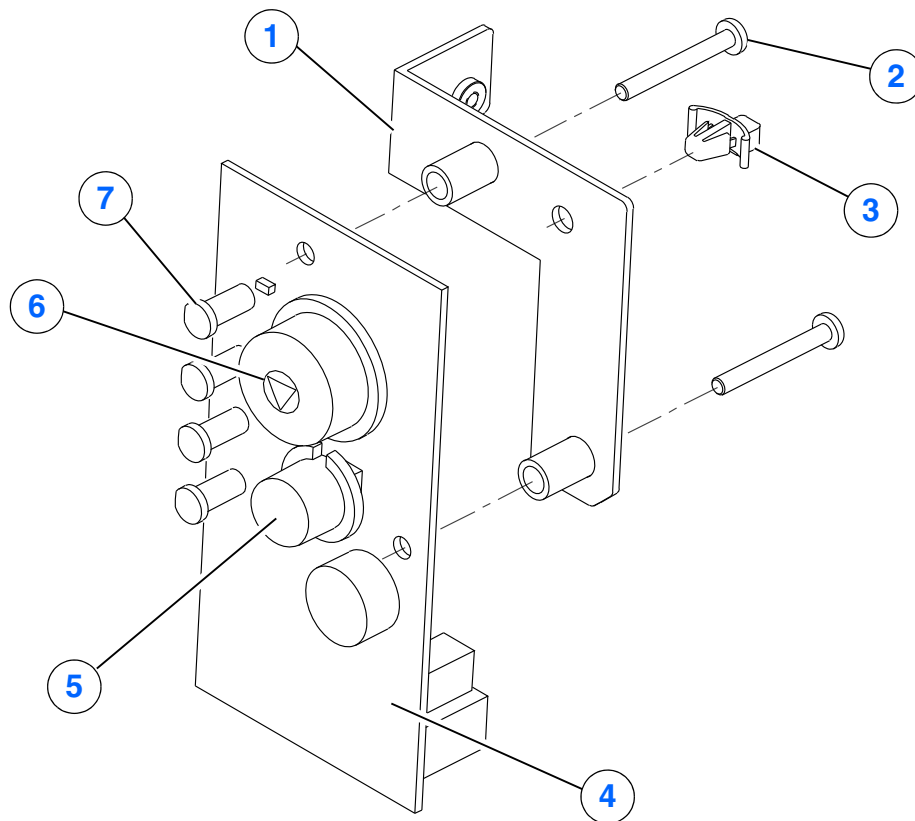
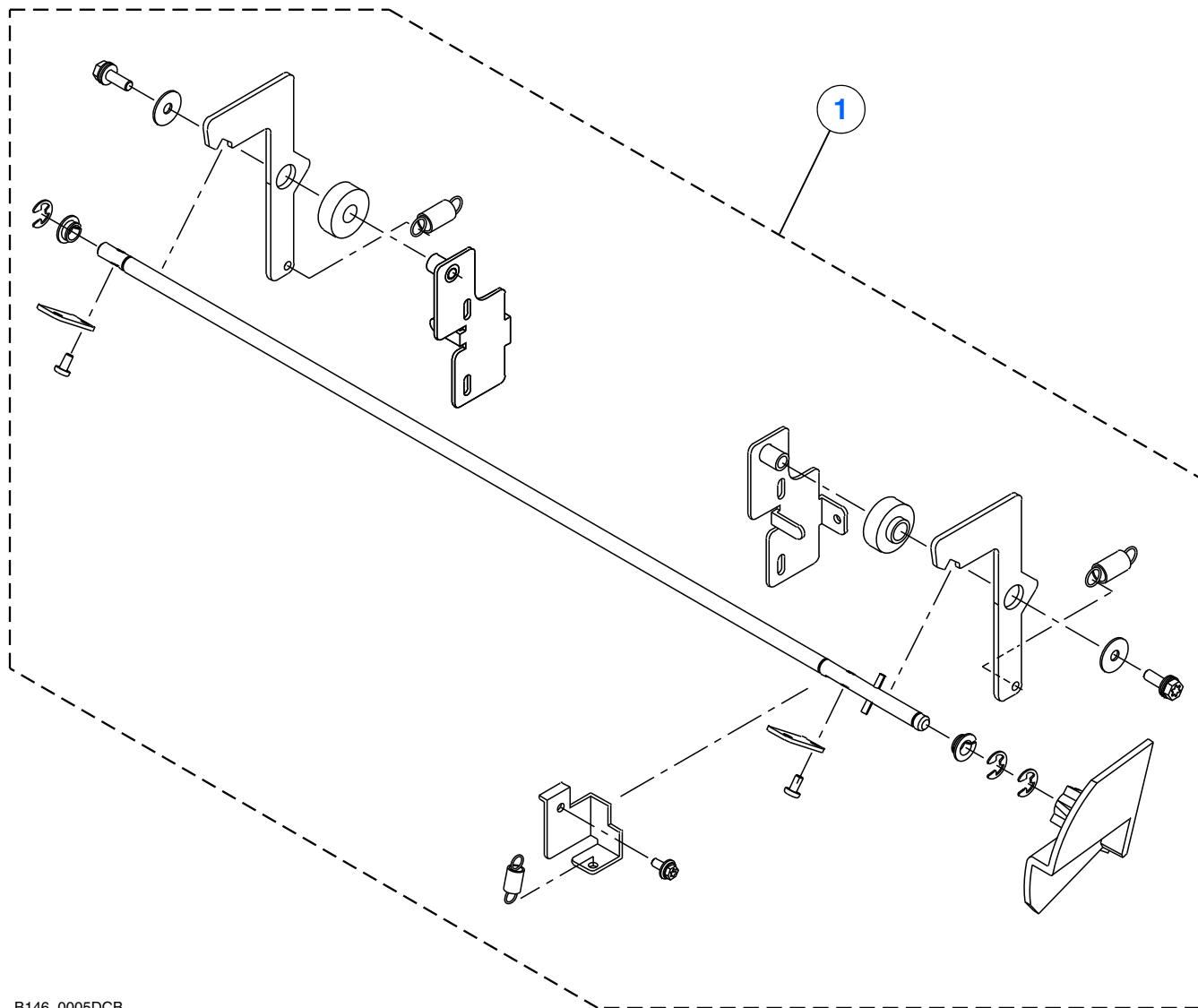
B146_0004HCA
B146_0004HC

Figure 12 OPERATOR CONTROL PANEL (OCP) AY

Item	Part No.	Description	Quantity	Notes
1	6E6575	BRACKET	1	
2	273439	SCREW	2	
3	244825	TIE WRAP	1	
4	9E3359	BOARD - OCP	1	
5	6E6573	BUTTON	1	
6	6E6574	BUTTON	1	
7	5E4926	LIGHT PIPE	4	

02OCT14
IP3943-1
Page
24 of 47

Figure 13 LATCH AY



B146_0005DCB
B146_0005DC

02OCT14
IP3943-1
Page
25 of 47

Figure 13 LATCH AY

Item	Part No.	Description	Quantity	Notes
1	9E3994	LATCH AY - complete	1	

Figure 14 FRAME AY

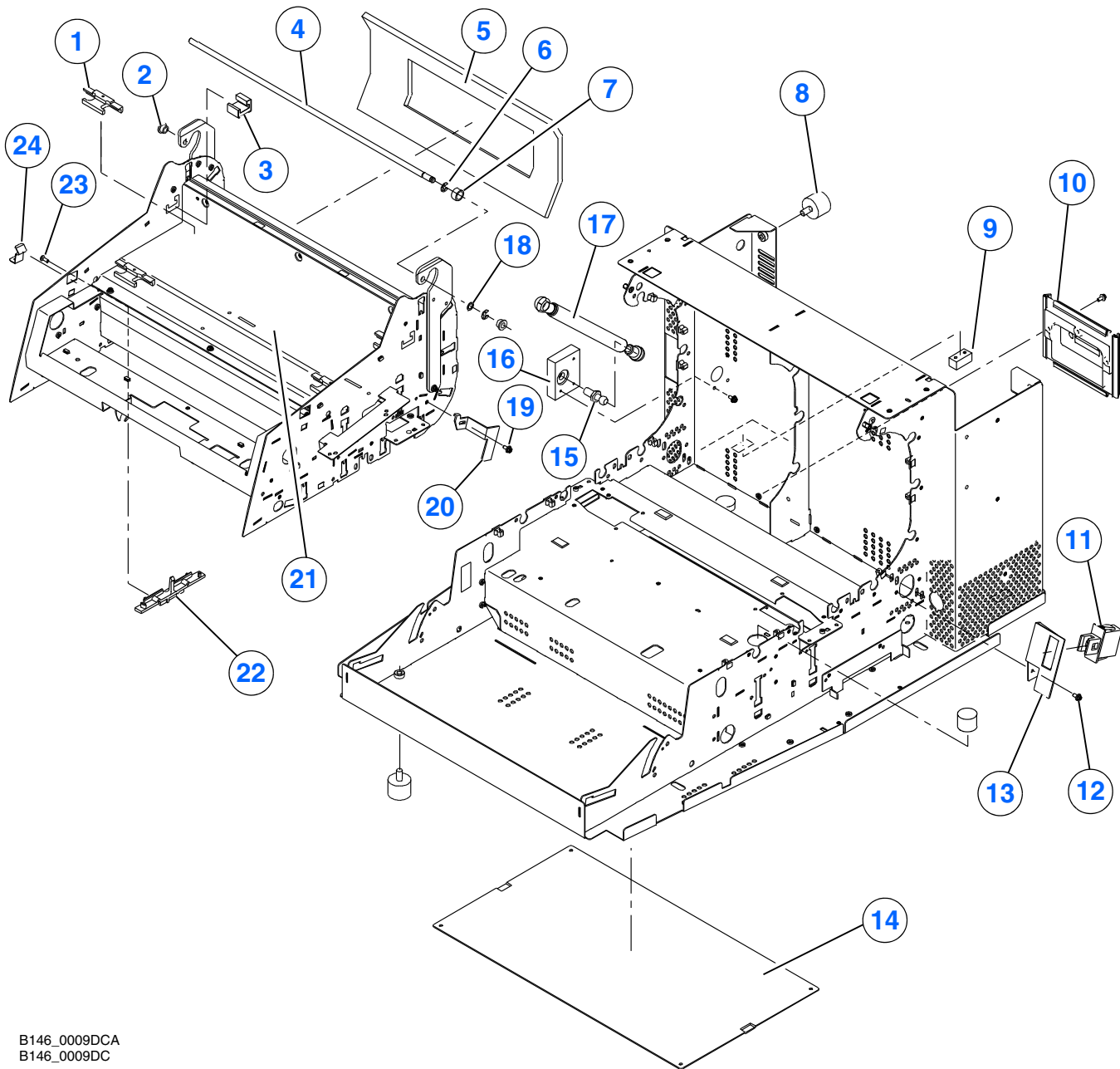


Figure 14 FRAME AY

Item	Part No.	Description	Quantity	Notes
1	6E6610	STOP - right	4	
2	6E6698	BEARING	2	
3	3E9435	STOP - tray, upper	2	
4	6E6560	SHAFT - pivot	1	
5	3E9449	SEAL - camera	1	
6	243359	E-RING - M6	2	
7	6E6697	SPACER	1	
8	3E9961	BUMPER	8	
9	9E3041	SIDE BLOCK	2	
10	6E6611	BRACKET - connector	1	
11	1E8949	SWITCH	1	
12	981710	SCREW - M3 x 8	13	
13	6E6585	BRACKET - interlock	1	
14	9E3005	PLATE - camera access	1	
15	9E4039	BALL STUD	2	
16	3E9997	BLOCK	2	
17	5F2426	GAS SPRING	2	
18	5E4889	WASHER	1	
19	748354	SCREW	1	
20	9E3023	ACTUATOR	1	
21	6E6427	COVER - scan module	1	
22	9E3111	MOUNT - scan module	4	
23	5E4874	SCREW	26	
24	3E9468	RETAINER - front	2	

Figure 15 Miscellaneous Parts

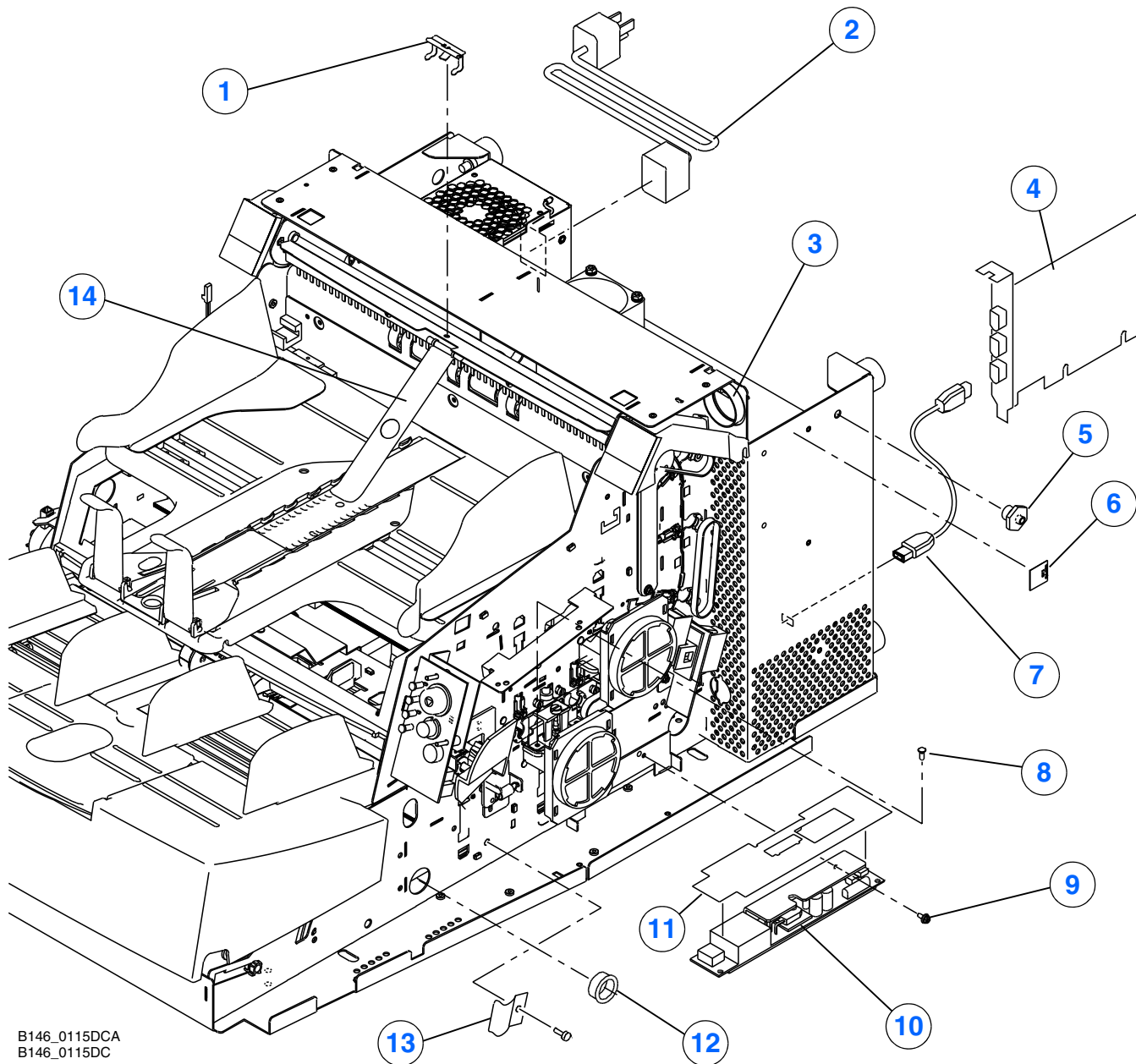


Figure 15 Miscellaneous Parts

Item	Part No.	Description	Quantity	Notes
1	3E9564	BRACKET	1	
2	7E9830	POWER CABLE	1	
3	943669	BUSHING	1	
4	9E3731	BOARD - IEEE 1394 interface	1	
5	7C7810	GROUND - ESD	1	
6	287257	LABEL - SD	1	
7	3E9210	CABLE - IEEE 1394	1	
8	5E4874	SCREW	8	
9	981710	SCREW - M3 x 8	26	
10	SP6E6143	LAMP INVERTER	4	
11	9E3085	COVER - lamp inverter	2	
12	538058	STRAIN RELIEF	10	
13	9E3084	EMI SHIELD	4	
14	3E9575	DOCUMENT DANGLER	1	
---	9E3974	CD - V3.11, scanner firmware V2.0.4, drivers, and user guide	1	Not visible in graphic
---	9E3707	CD - V1.8, scanner firmware V1.0.35, drivers, and user guide	1	Not visible in graphic

**Caution**

The **BOARDS** contain lead. Use local environmental requirements to discard the parts.

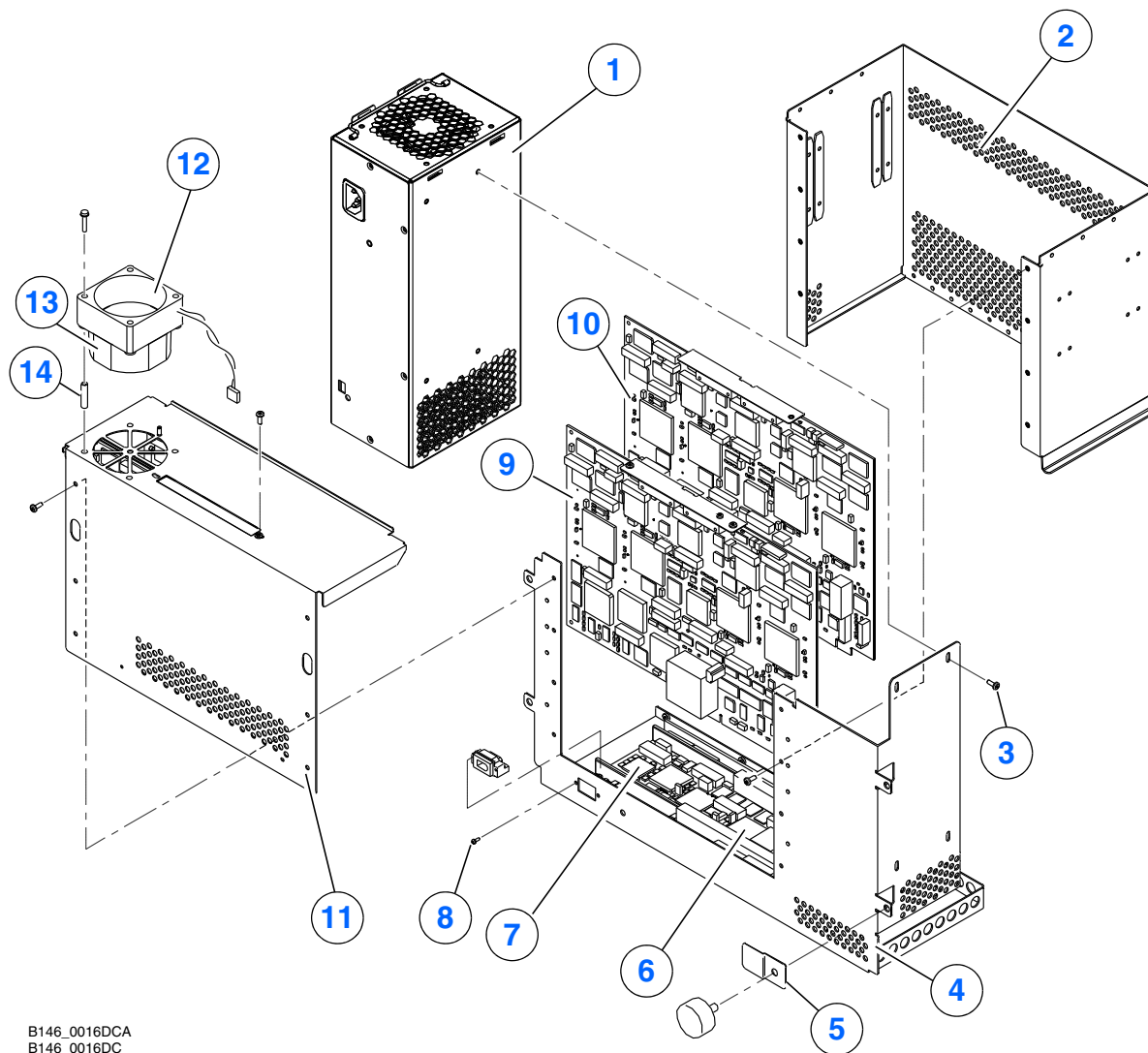
Figure 16 ELECTRICAL BOX

Figure 16 ELECTRICAL BOX

Item	Part No.	Description	Quantity	Notes
1	9E0032	POWER SUPPLY	1	
2	3E9981	CARD CAGE	1	
3	273422	SCREW - M3 x 6	24	
4	3E9969	BASE	1	
5	9E3004	STOP BRACKET	1	
6	9E3980	PROM - i610	1	
	9E3363	PROM - i620	1	
	9E3365	PROM - i640	1	
	9E3367	PROM - i660	1	
7	9E3978	BOARD - 1000, CPU	1	
8	257956	SCREW	2	
9	9E3311	BOARD - 2000, image processing	1	
10	9E4231	BOARD - 4000, machine control	1	
11	9E3203	COVER	1	
12	6E6690	FAN	1	
13	3E9967	DUCT	1	
14	4B4483	STANDOFF - M3 x 18	4	

Figure 17 CABLES and HARNESSSES

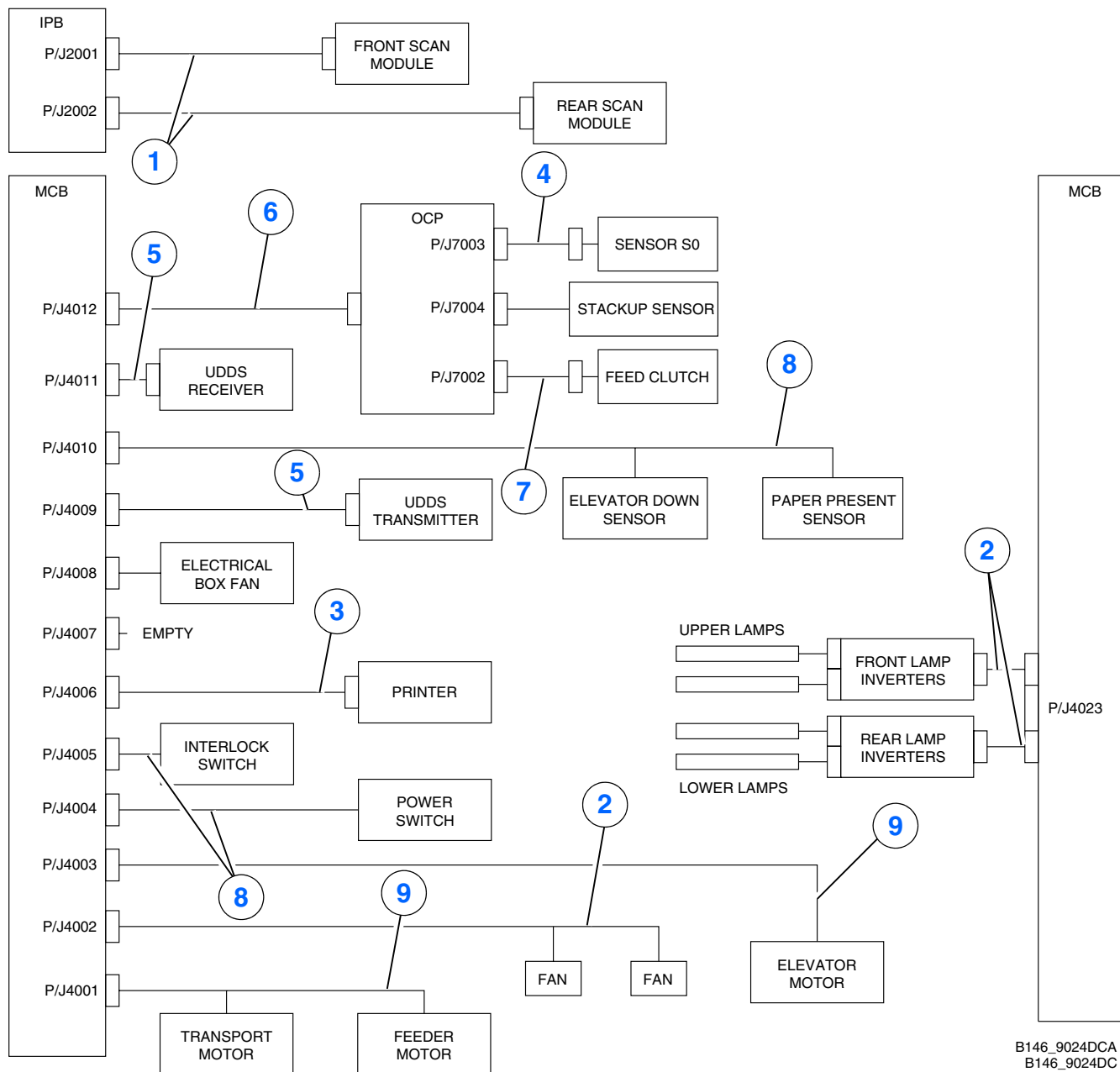
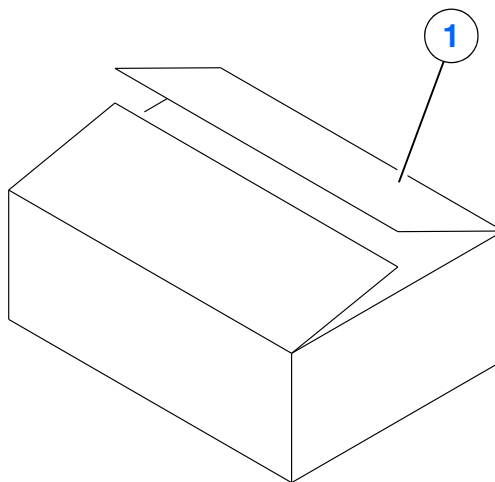


Figure 17 CABLES and HARNESSSES

Item	Part No.	Description	Quantity	Notes
1	7E9439	CABLE - video	2	
2	3E9192	HARNESS - lamp	1	
3	3E9198	HARNESS - printer	1	
4	3E9196	HARNESS	1	
5	3E9197	CABLE - UDDS	2	
6	3E9194	CABLE - OCP	1	
7	3E9195	HARNESS - feed clutch	1	
8	3E9191	HARNESS - interlock	1	
9	3E9190	HARNESS	1	

02OCT14
IP3943-1
Page
34 of 47

Figure 18 REMOVAL KIT

B146_0062ACA
B146_0062AC

Figure 18 REMOVAL KIT

Item	Part No.	Description	Quantity	Notes
1	9E3330	REMOVAL KIT	1	

Section 2: Numerical Index

Numerical Index

Part No.	Description	Figure No.
1C8149	LABEL - K-number	10
1E8949	SWITCH	14
243359	E-RING - M6	14
244825	TIE WRAP	12
257956	SCREW	16
273422	SCREW - M3 x 6	16.3.5
273439	SCREW	12.9
287257	LABEL - SD	15
2E8538	CLIP - video cable	8
383976	SPRING	2
3B7089	SCREW	4
3C9239	SPRING	6
3C9467	SPRING	2.6
3E9099	LAMP	9
3E9190	HARNESS	17
3E9191	HARNESS - interlock	17
3E9192	HARNESS - lamp	17
3E9194	CABLE - OCP	17
3E9195	HARNESS - feed clutch	17
3E9196	HARNESS	17
3E9197	CABLE - UDDS	17.2
3E9198	HARNESS - printer	17
3E9210	CABLE - IEEE 1394	15
3E9435	STOP - tray, upper	14
3E9449	SEAL - camera	14
3E9450	CLIP - wire	9
3E9454	STRIP - white, backup	4
3E9468	RETAINER - front	14
3E9470	SHAFT	7
3E9477	SENSOR	1
3E9564	BRACKET	15

Numerical Index

Part No.	Description	Figure No.
3E9565	SENSOR - paper present	1
3E9575	DOCUMENT DANGLER	15
3E9577	SHAFT	6
3E9578	SHAFT AY - exit	6
3E9579	SHAFT - NFR, ADF	2
3E9961	BUMPER	14
3E9962	PADS - cork	1
3E9967	DUCT	16
3E9969	BASE	16
3E9971	SEPARATOR ROLLER AY	3
3E9981	CARD CAGE	16
3E9985	FEED MODULE - lightweight paper	2
3E9997	BLOCK	14
3J2560	DATA PLATE - U.S.	10
4B4483	STANDOFF - M3 x 18	16, 9
538058	STRAIN RELIEF	15
5E4420	CLUTCH	2
5E4690	PRINTER AY	2
5E4754	CATCH BAIL - 26 in.	11
5E4874	SCREW	10, 14, 15, 2
5E4877	SCREW	1
5E4878	BEARING	7
5E4885	INK BLOTTER	3
5E4889	WASHER	14
5E4926	LIGHT PIPE	12
5F2426	GAS SPRING	14
6E6285	COVER AY	10
6E6347	GEAR	1
6E6377	MOTOR AY	3, 7
6E6381	STOP	2
6E6427	COVER - scan module	14
6E6465	SLIDE	1
6E6479	GEAR	3

Numerical Index

Part No.	Description	Figure No.
6E6510	GEAR - 74 t	2
6E6514	SHAFT AY - takeaway	3
6E6525	COVER - top	10
6E6531	TRAY - base, input	10
6E6532	COVER - back	10
6E6536	SHAFT	7
6E6539	SHAFT	7
6E6540	CLIP - bearing	3, 7
6E6541	SHAFT	7
6E6542	SHAFT	7
6E6544	END BLOCK - bearing	6
6E6554	BELT - timing	7
6E6555	BELT - timing	3
6E6559	CLIP - retainer	2, 6
6E6560	SHAFT - pivot	14
6E6561	CLIP - hold down	8
6E6573	BUTTON	12
6E6574	BUTTON	12
6E6575	BRACKET	12
6E6585	BRACKET - interlock	14
6E6590	OUTPUT TRAY AY	10, 11
6E6594	COVER - printer	10
6E6596	MOTOR - elevator	1
6E6610	STOP - right	14
6E6611	BRACKET - connector	14
6E6621	FEED MODULE	2
6E6624	SHAFT	7
6E6629	BRACKET	3
6E6645	SEAL - baffle, image	9
6E6652	FAN	9
6E6667	FILTER	9
6E6687	HOLDER - filter	9
6E6690	FAN	16

Numerical Index

Part No.	Description	Figure No.
6E6697	SPACER	14
6E6698	BEARING	14
748353	SCREW - hex, M3 x 6	7
748354	SCREW	10, 14, 3
790741	SPRING	4
7C7810	GROUND - ESD	15
7E9439	CABLE - video	17, 8
7E9830	POWER CABLE	15
943669	BUSHING	15
946316	LABEL - UL, warning	10
981710	SCREW - M3 x 8	14, 15, 2, 7, 9
9B6777	SWITCH	10
9E0032	POWER SUPPLY	16
9E3004	STOP BRACKET	16
9E3005	PLATE - camera access	14
9E3014	THUMBSCREW	9
9E3015	DUCT	9
9E3023	ACTUATOR	14
9E3041	SIDE BLOCK	14
9E3047	BAFFLE - lower rear	5
9E3048	BAFFLE - top rear	5
9E3049	BAFFLE - POD, rear	5
9E3050	BAFFLE - POD, support	5
9E3053	BRUSH - static	5
9E3055	COVER - bottom, left	10
9E3056	COVER - bottom, right	10
9E3084	EMI SHIELD	15
9E3085	COVER - lamp inverter	15
9E3091	BELT - timing	7
9E3092	BELT - timing	7
9E3094	BELT - timing	7
9E3111	MOUNT - scan module	14
9E3113	COVER - electrical	2

Numerical Index

Part No.	Description	Figure No.
9E3126	COVER - left	10
9E3127	COVER - right	10
9E3129	BAFFLE - lower	3
9E3130	COVER - output, left	10
9E3131	COVER - output, right	10
9E3160	PRE-SEPARATOR	3
9E3163	COVER - input tray	10
9E3203	COVER	16
9E3204	DATA PLATE - China	10
9E3207	SEAL - baffle, image	9
9E3216	CATCH BAIL - 34 in.	11
9E3266	TAPE - reflective	3
9E3295	DUST GLASS AY	9
9E3303	BOARD - UDDS, lower	3
9E3304	SCAN MODULE	8
9E3305	CARRIAGE AY	3
9E3307	SENSOR - S0	2
9E3308	BOARD - UDDS, upper	2
9E3311	BOARD - 2000, image processing	16
9E3330	REMOVAL KIT	18
9E3357	STRIP - black, backup	4
9E3358	ELEVATOR AY - complete	1
9E3359	BOARD - OCP	12
9E3363	PROM - i620	16
9E3365	PROM - i640	16
9E3367	PROM - i660	16
9E3489	SENSOR - stack-up	2
9E3707	CD - V1.8, scanner firmware V1.0.35, drivers, and user guide	15
9E3730	DELTA WING	2
9E3731	BOARD - IEEE 1394 interface	15
9E3733	PATCH - white	9
9E3974	CD - V3.11, scanner firmware V2.0.4, drivers, and user guide	15
9E3978	BOARD - 1000, CPU	16

Numerical Index

Part No.	Description	Figure No.
9E3980	PROM - i610	16
9E3990	SHAFT AY	2
9E3991	GEAR AY	2
9E3993	BAFFLE AY	4
9E3994	LATCH AY - complete	13
9E4039	BALL STUD	14
9E4228	SHAFT AY	2
9E4231	BOARD - 4000, machine control	16
9E7557	TRAY - elevator	1
SP6E6143	LAMP INVERTER	15

Section 3: Alphabetical Index

Alphabetical Index

Part No.	Description	Figure No.
9E3023	ACTUATOR	14
9E3129	BAFFLE - lower	3
9E3047	BAFFLE - lower rear	5
9E3049	BAFFLE - POD, rear	5
9E3050	BAFFLE - POD, support	5
9E3048	BAFFLE - top rear	5
9E3993	BAFFLE AY	4
9E4039	BALL STUD	14
3E9969	BASE	16
5E4878	BEARING	7
6E6698	BEARING	14
6E6554	BELT - timing	7
6E6555	BELT - timing	3
9E3091	BELT - timing	7
9E3092	BELT - timing	7
9E3094	BELT - timing	7
3E9997	BLOCK	14
9E3978	BOARD - 1000, CPU	16
9E3311	BOARD - 2000, image processing	16
9E4231	BOARD - 4000, machine control	16
9E3731	BOARD - IEEE 1394 interface	15
9E3359	BOARD - OCP	12
9E3303	BOARD - UDDS, lower	3
9E3308	BOARD - UDDS, upper	2
3E9564	BRACKET	15
6E6575	BRACKET	12
6E6629	BRACKET	3
6E6611	BRACKET - connector	14
6E6585	BRACKET - interlock	14
9E3053	BRUSH - static	5
3E9961	BUMPER	14

Alphabetical Index

Part No.	Description	Figure No.
943669	BUSHING	15
6E6573	BUTTON	12
6E6574	BUTTON	12
3E9210	CABLE - IEEE 1394	15
3E9194	CABLE - OCP	17
3E9197	CABLE - UDDS	17, 2
7E9439	CABLE - video	17, 8
3E9981	CARD CAGE	16
9E3305	CARRIAGE AY	3
5E4754	CATCH BAIL - 26 in.	11
9E3216	CATCH BAIL - 34 in.	11
9E3707	CD - V1.8, scanner firmware V1.0.35, drivers, and user guide	15
9E3974	CD - V3.11, scanner firmware V2.0.4, drivers, and user guide	15
6E6540	CLIP - bearing	3, 7
6E6561	CLIP - hold down	8
6E6559	CLIP - retainer	2, 6
2E8538	CLIP - video cable	8
3E9450	CLIP - wire	9
5E4420	CLUTCH	2
9E3203	COVER	16
6E6532	COVER - back	10
9E3055	COVER - bottom, left	10
9E3056	COVER - bottom, right	10
9E3113	COVER - electrical	2
9E3163	COVER - input tray	10
9E3085	COVER - lamp inverter	15
9E3126	COVER - left	10
9E3130	COVER - output, left	10
9E3131	COVER - output, right	10
6E6594	COVER - printer	10
9E3127	COVER - right	10
6E6427	COVER - scan module	14
6E6525	COVER - top	10

Alphabetical Index

Part No.	Description	Figure No.
6E6285	COVER AY	10
9E3204	DATA PLATE - China	10
3J2560	DATA PLATE - U.S.	10
9E3730	DELTA WING	2
3E9575	DOCUMENT DANGLER	15
3E9967	DUCT	16
9E3015	DUCT	9
9E3295	DUST GLASS AY	9
243359	E-RING - M6	14
9E3358	ELEVATOR AY - complete	1
9E3084	EMI SHIELD	15
6E6544	END BLOCK - bearing	6
6E6652	FAN	9
6E6690	FAN	16
6E6621	FEED MODULE	2
3E9985	FEED MODULE - lightweight paper	2
6E6667	FILTER	9
5F2426	GAS SPRING	14
6E6347	GEAR	1
6E6479	GEAR	3
6E6510	GEAR - 74 t	2
9E3991	GEAR AY	2
7C7810	GROUND - ESD	15
3E9190	HARNESS	17
3E9196	HARNESS	17
3E9195	HARNESS - feed clutch	17
3E9191	HARNESS - interlock	17
3E9192	HARNESS - lamp	17
3E9198	HARNESS - printer	17
6E6687	HOLDER - filter	9
5E4885	INK BLOTTER	3
1C8149	LABEL - K-number	10
287257	LABEL - SD	15

Alphabetical Index

Part No.	Description	Figure No.
946316	LABEL - UL, warning	10
3E9099	LAMP	9
SP6E6143	LAMP INVERTER	15
9E3994	LATCH AY - complete	13
5E4926	LIGHT PIPE	12
6E6596	MOTOR - elevator	1
6E6377	MOTOR AY	3, 7
9E3111	MOUNT - scan module	14
6E6590	OUTPUT TRAY AY	10, 11
3E9962	PADS - cork	1
9E3733	PATCH - white	9
9E3005	PLATE - camera access	14
7E9830	POWER CABLE	15
9E0032	POWER SUPPLY	16
9E3160	PRE-SEPARATOR	3
5E4690	PRINTER AY	2
9E3980	PROM - i610	16
9E3363	PROM - i620	16
9E3365	PROM - i640	16
9E3367	PROM - i660	16
9E3330	REMOVAL KIT	18
3E9468	RETAINER - front	14
9E3304	SCAN MODULE	8
257956	SCREW	16
273439	SCREW	12, 9
3B7089	SCREW	4
5E4874	SCREW	10, 14, 15, 2
5E4877	SCREW	1
748354	SCREW	10, 14, 3
748353	SCREW - hex, M3 x 6	7
273422	SCREW - M3 x 6	16, 3, 5
981710	SCREW - M3 x 8	14, 15, 2, 7, 9
6E6645	SEAL - baffle, image	9

Alphabetical Index

Part No.	Description	Figure No.
9E3207	SEAL - baffle, image	9
3E9449	SEAL - camera	14
3E9477	SENSOR	1
3E9565	SENSOR - paper present	1
9E3307	SENSOR - S0	2
9E3489	SENSOR - stack-up	2
3E9971	SEPARATOR ROLLER AY	3
3E9470	SHAFT	7
3E9577	SHAFT	6
6E6536	SHAFT	7
6E6539	SHAFT	7
6E6541	SHAFT	7
6E6542	SHAFT	7
6E6624	SHAFT	7
3E9579	SHAFT - NFR, ADF	2
6E6560	SHAFT - pivot	14
9E3990	SHAFT AY	2
9E4228	SHAFT AY	2
3E9578	SHAFT AY - exit	6
6E6514	SHAFT AY - takeaway	3
9E3041	SIDE BLOCK	14
6E6465	SLIDE	1
6E6697	SPACER	14
383976	SPRING	2
3C9239	SPRING	6
3C9467	SPRING	2, 6
790741	SPRING	4
4B4483	STANDOFF - M3 x 18	16, 9
6E6381	STOP	2
6E6610	STOP - right	14
3E9435	STOP - tray, upper	14
9E3004	STOP BRACKET	16
538058	STRAIN RELIEF	15

Alphabetical Index

Part No.	Description	Figure No.
9E3357	STRIP - black, backup	4
3E9454	STRIP - white, backup	4
1E8949	SWITCH	14
9B6777	SWITCH	10
9E3266	TAPE - reflective	3
9E3014	THUMBSCREW	9
244825	TIE WRAP	12
6E6531	TRAY - base, input	10
9E7557	TRAY - elevator	1
5E4889	WASHER	14

Section 4: Publication History

Publication Date	Publication No.	Changed Pages	Notes
02OCT2014	IP3943-1	4	Replaced part no. 6E6688 with 9E7557